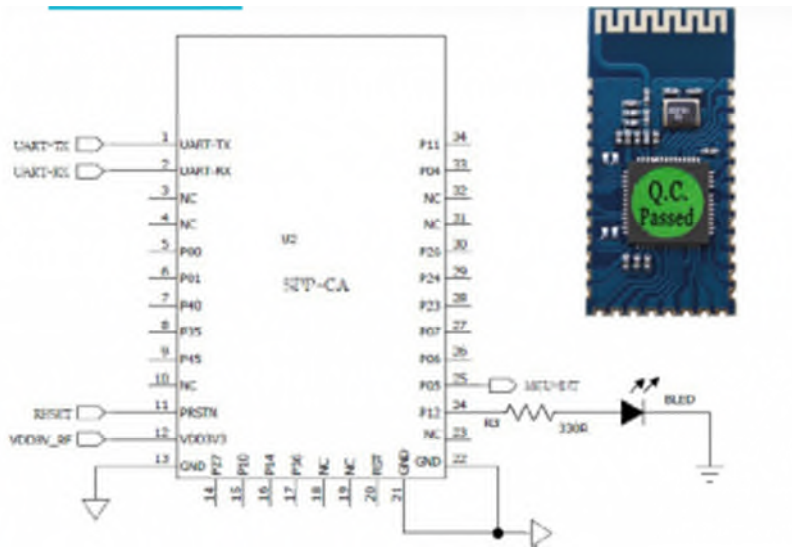


ACM CSR BLUETOOTH MODULE V2.1

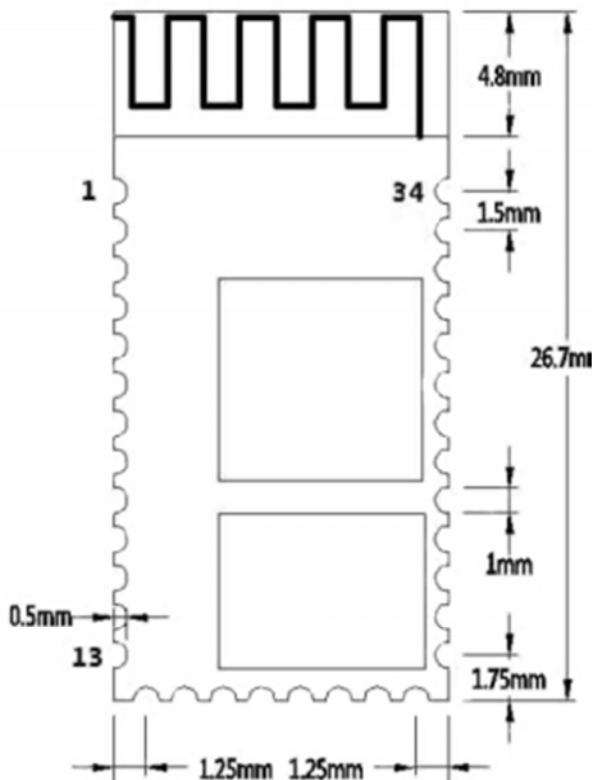
Pin Definition



Pins configuration

- P12: Blink to indicate it is waiting for pairing, On to indicate paired.
- P05: MCU interruption, low to interrupt the connection from MCU.

Board Dimension



AT Commands

- Must add CR and LR (\r\n) for each command, High/low character not sensitive
- Baudrate supports 1200,2400,4800,9600,14400,19200,38400,57600,115200,230400,460800 and 921600bps.

Command	Description	Examples	Parameters
AT	Test	-	
AT+Reset	Reset	-	
AT+VERSION	check firmware version	-	
AT+DEFAULT	Restore to default	-	
AT+LADDR<Param> or AT+LADDR	set/check address	AT+LADDR11:22:33:44:55:66\r\n	
AT+NAME<Param> or AT+NAME	set/check device name	AT+NAMEElectrodragon\r\n	
AT+ROLE<Param> or AT+ROLE	set/check device mode	-	0 = slave, 1 = master
AT+PIN<Param> or AT+PIN	set/check	-	default 1234
AT+BAUD<Param> or AT+BAUD	set/check baudrate	-	*

- * 1---1200, 2---2400, 3---4800, 4---9600, 5---19200, 6---38400, 7---57600, 8---115200, 9---230400, A---460800, B---921600, C---1382400. Default : 4---9600