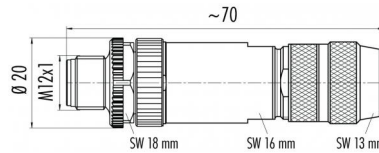


Product	Male cable connector, shieldable, CAT 5 screw termination, iris type spring with Diecasted Zinc Thread Ring	Pole	4
Area	M12 connectors D-Coding	serie 825	Article number 99 3727 810 04

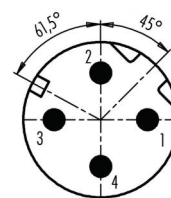
illustration



scale drawing

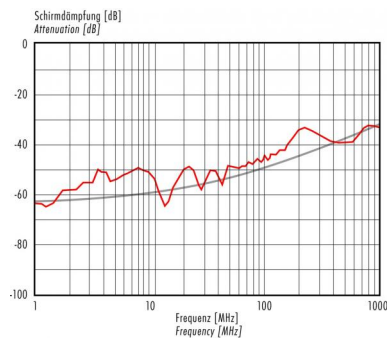


Contact Arrangement



	X	Y
1	2,50	0,00
2	0,00	2,50
3	-2,50	0,00
4	0,00	-2,50

Attenuation characteristic



You can find the item description and assembly instruction on the next page.

Technical data

Common values

Connector Design	Male cable connector
Connector locking system	Screw-locking
Wire gauge (mm)	0,75 mm ²
Wire gauge (AWG)	18
Max. Cable outlet	6 - 8 mm
Upper temperature	+85 °C
Lower temperature	-40 °C

Electrical values

Rated voltage	250 V
Rated impulse voltage	2500 V
Pollution degree	3
Overvoltage category	II
Material group	III
Rated current (40°C)	4 A
Volume resistivity	≤ 3 mΩ
Degree of protection	IP 67
Mechanical operation	>100 mating cycles

Material

Material of contact	CuZn (brass)
Contact plating	Au (gold)
Material of contact body	PA
Material of housing	zinc diecasting, nickel plated

Cable data

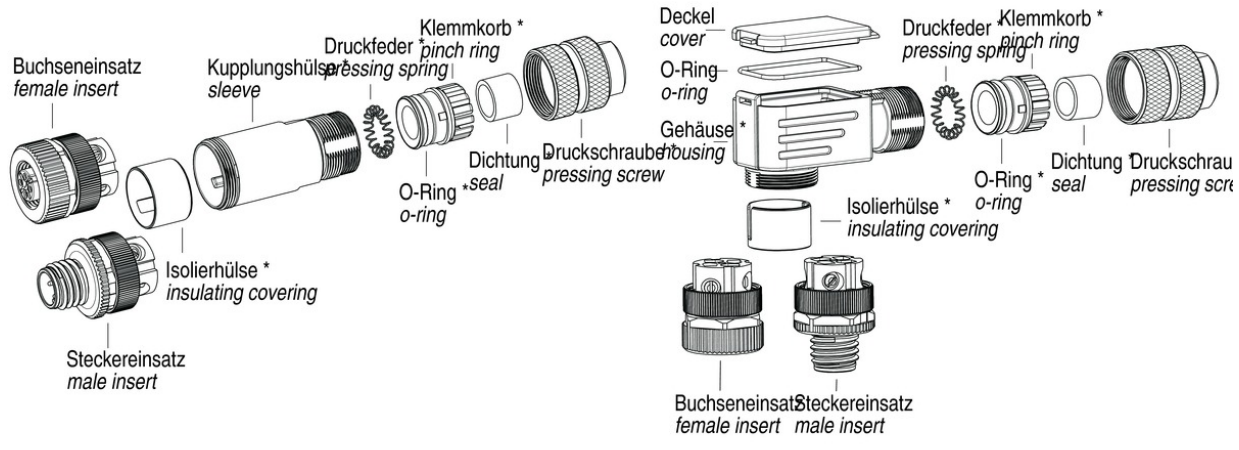
material housing	-
insulation single lead	-
single lead structure	-
conductor resistance	-
bending radius cable fixed	-
bending radius cable movable	-

Cabel outlet: 5 - 8 mm, contacts: 4, male cabel connector, shieldable, CAT 5, screw termination, iris type spring



Product	Male cable connector, shieldable, CAT 5 screw termination, iris type spring with Diecasted Zinc Thread Ring	Pole	4
Area	M12 connectors D-Coding	serie 825	Article number 99 3727 810 04

Item description



* Teile vormontiert
Premounted parts

Installation instructions / Mounting cutout

