


嘉尼企業股份有限公司 CANAL ELECTRONIC CO.,LTD.

ROCKER SWITCH MODEL: R SERIES

RATING: 16A 125/250VAC (UL/CUL)

20A 125VAC (UL/CUL)

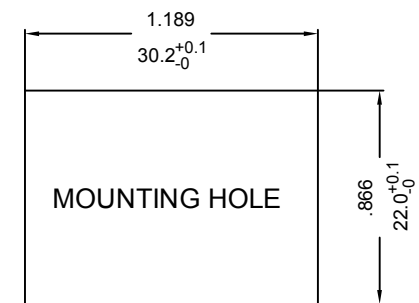
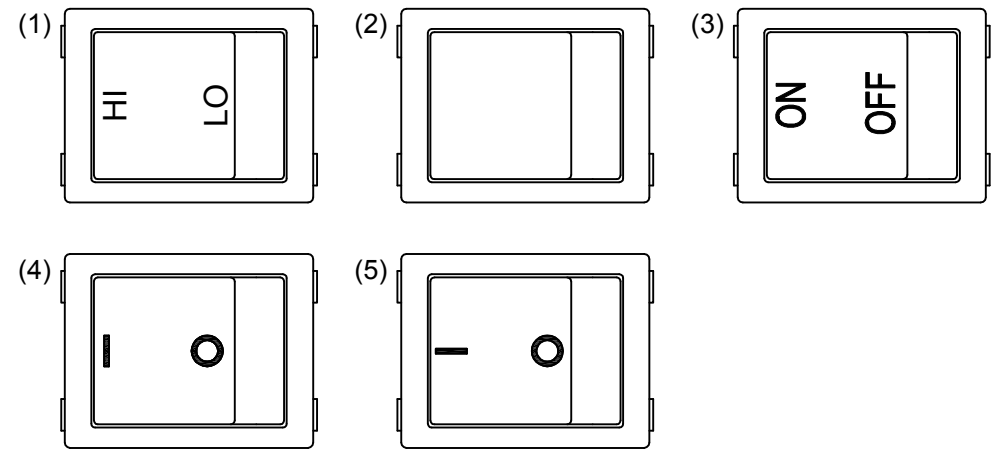
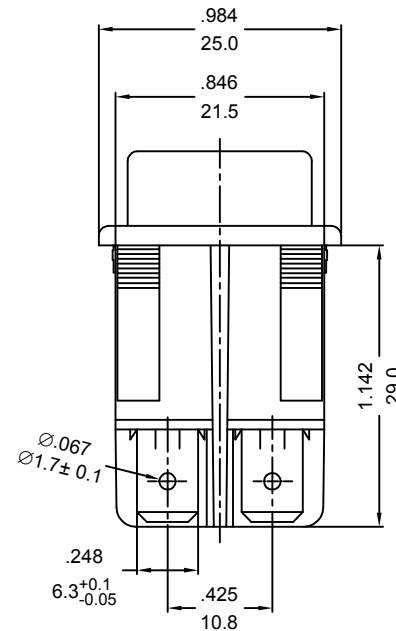
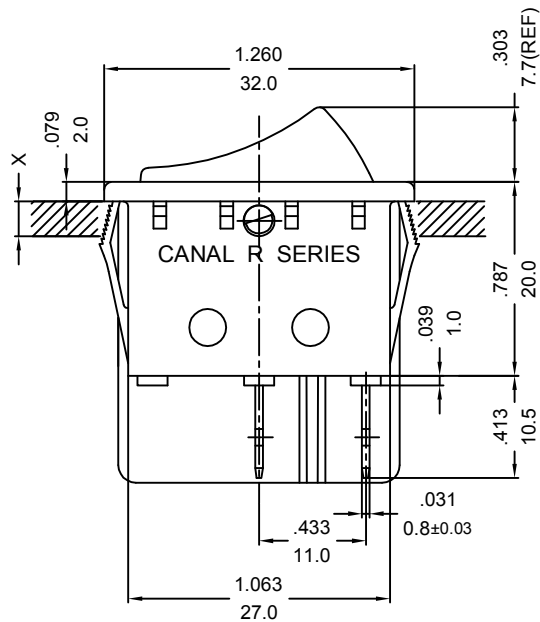
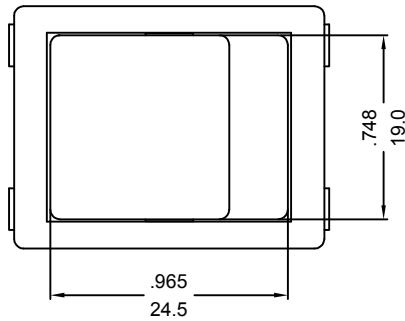
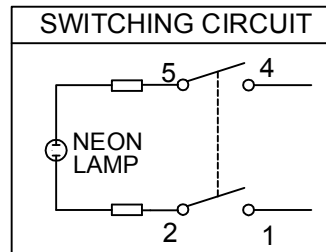
16(4)A 250V~T125/55 (ENEC15/CQC) 

DIELECTRIC WITHSTAND VOLTAGE: 1000VAC 1 MIN

INSULATION RESISTANCE: 500VDC 100MΩ (MIN)

CONTACT RESISTANCE: 20mΩ INITIAL (MAX.)

ILLUMINATION: 200~250VAC



X=(0.75~1.25mm)
PANEL THICKNESS

NOTE: TOLERANCES UNLESS OTHERWISE SPECIFIED: ± .012/0.3 (in/mm)



| REVISION | DESCRIPTION | REVISED BY | TOLERANCES | | ANGLE 1/2° | | UNIT | mm | PART NAME | DWG NO |
|----------|-----------------|------------|------------|-------------|------------|--|------------|---------|--------------------|--------|
| | | | DRAWN BY | DESIGNED BY | SCALE | | | | | |
| △ | | | 謝平凡 | 蔡劍 | | | 5/4 | | R SPEC DRAWING | S5818B |
| △ | 取消VDE, 改用ENEC15 | 达志各 | CHECKED BY | APPROVED BY | DATE | | 2014.11.06 | PART NO | R210-1C*G-**-1-N*C | |
| △ | 首次出圖 | 謝平凡 | | | | | | | | |