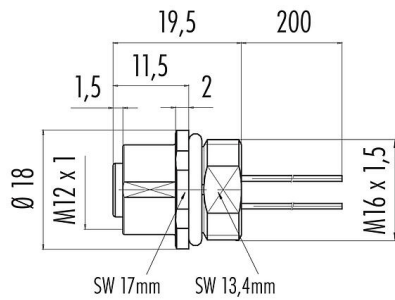


Product description	<b>M12-A Female panel mount connector, Contacts: 8, unshielded, single wires, IP68, UL, M16x1.5</b>
Area	<b>M12-A series 763</b>
Part no.	<b>76 0232 0011 00008-0200</b>

**Illustration**

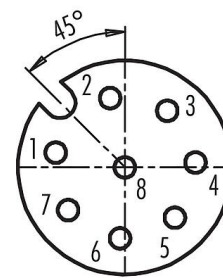


**Scale drawing**



*Version with zinc diecasted housing*

**Contact arrangement (Plug-in side)**



- 1 white
- 2 brown
- 3 green
- 4 yellow
- 5 grey
- 6 pink
- 7 blue
- 8 red

You can find the assembly instructions on the next page.

**Technical data**

General features

Part no.	<b>76 0232 0011 00008-0200</b>
Notice	Alternative part no.: 09 3482 700 08 Please note that, due to the change from the old to the new order number, there may be deviations in the technical specifications. For questions about product details, please use the 'Contact Customer Service' form on the right.
Connector design	Female panel mount connector
Wire length	0.2 m
Version	Connector socket straight
Connector locking system	screw
Termination	single wires
Degree of protection	IP68
Cross-sectional area	0.25 mm <sup>2</sup> / AWG 24
Temperature range from/to	-40 °C / 85 °C
Mechanical operation	> 100 Mating cycles
Weight (g)	16.63
Customs tariff number	85369010

Electrical parameters

Rated voltage	30 V
Rated impulse voltage	800 V
Rated current (40 °C)	1.5 A
Insulation resistance	> 10 <sup>10</sup> Ω
Pollution degree	3
Overvoltage category	II
Insulating material group	III
EMC compliance	unshielded

Product description	M12-A Female panel mount connector, Contacts: 8, unshielded, single wires, IP68, UL, M16x1.5
Area	M12-A series 763
Part no.	76 0232 0011 00008-0200

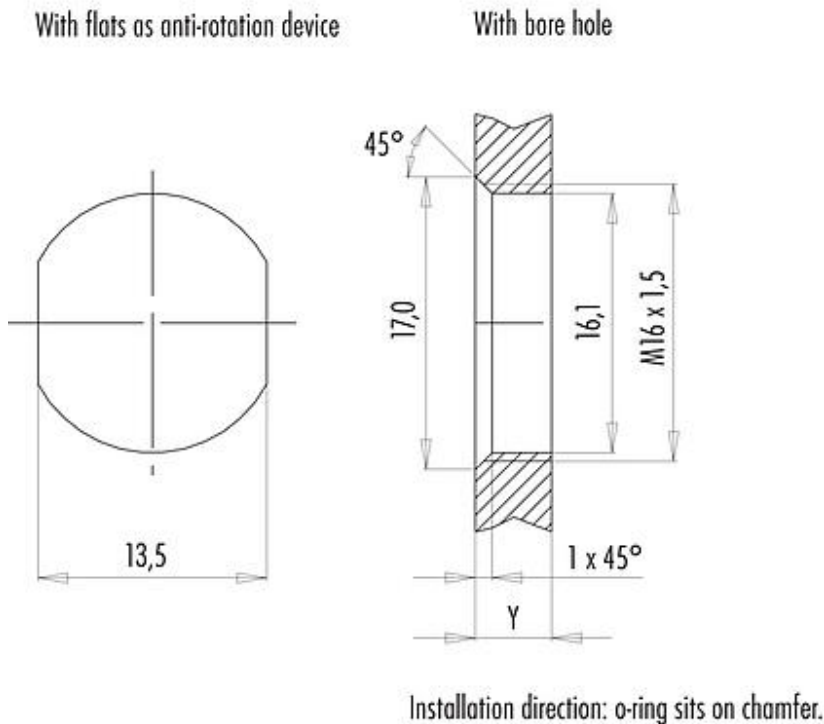
### Material

Housing material	Zinc die-cast nickel-plated
Contact body material	PA black
Contact material	CuSn (bronze)
Contact plating	Au (gold)
REACH SVHC	CAS 7439-92-1 (Lead)
SCIP number	69e016f3-ec7b-4ec3-bb86-916dc4d5a65f

### Authorization/approvals

Approvals	UL
-----------	----

### Assembly instructions / Panel cut-out



Tightening moment  
Metall housing/Plastic housing 1,25 Nm

Thickness of wall Y (mm)		
Version	min (mm)	max (mm)
Fastened from rear	2	3,5
Front fastened	2	4,5
positioning possible <sup>1)</sup>	2	3,5
Screw clamp	2	3,5
Thread M12 x 1	2	3,0
Thread M14 x 1 <sup>2)</sup>	<sup>3)</sup> 1,5/ <sup>4)</sup> 2	6,5

#### Notes

- <sup>1)</sup> Do not attach a chamfer
- <sup>2)</sup> Wall thickness:  
use nut 38 5385 100 001 up to 1,5 mm,  
>1,5 mm cut thread
- <sup>3)</sup> Nut
- <sup>4)</sup> Thread in wall of housing

Product description	<b>M12-A Female panel mount connector, Contacts: 8, unshielded, single wires, IP68, UL, M16x1.5</b>
-	-
Area	<b>M12-A series 763</b>
Part no.	<b>76 0232 0011 00008-0200</b>

### Security notices

The connector must not be plugged or unplugged under load. Non-observance and improper use can result in personal injury.

The connectors have been developed for applications in plant engineering, control and electrical equipment construction. The user is responsible for checking whether the connectors can also be used in other areas of application.

The user must take suitable safety precautions to ensure that the connector cannot be accidentally disconnected.

Plug connectors with enclosure protection IP67 and IP68 are not suitable for use under water. For further information on the IP protection classes, please refer to the "Technical Information" download centre.