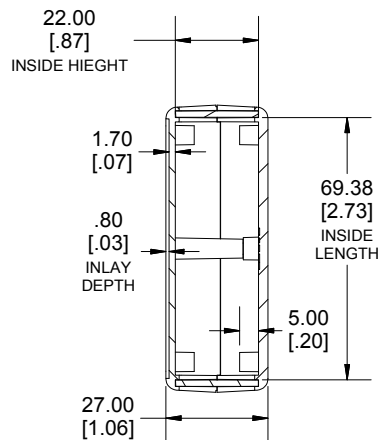
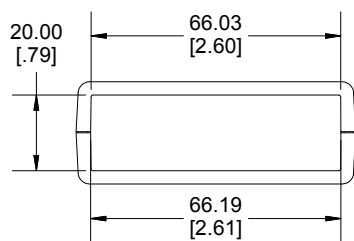
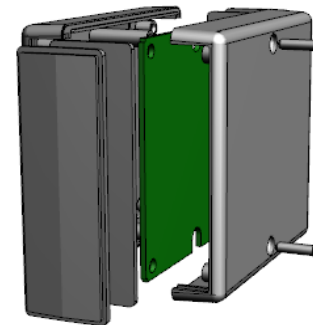


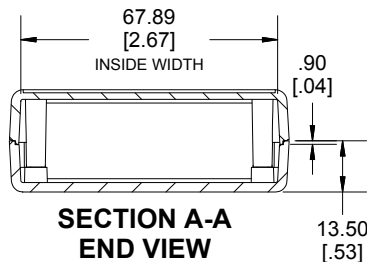
TOP VIEW



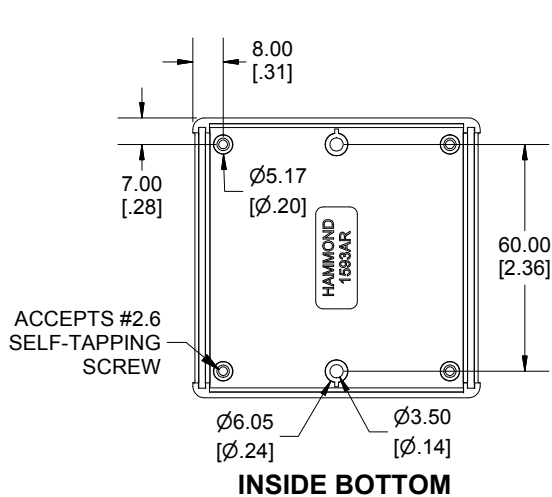
**SECTION B-B
SIDE VIEW**



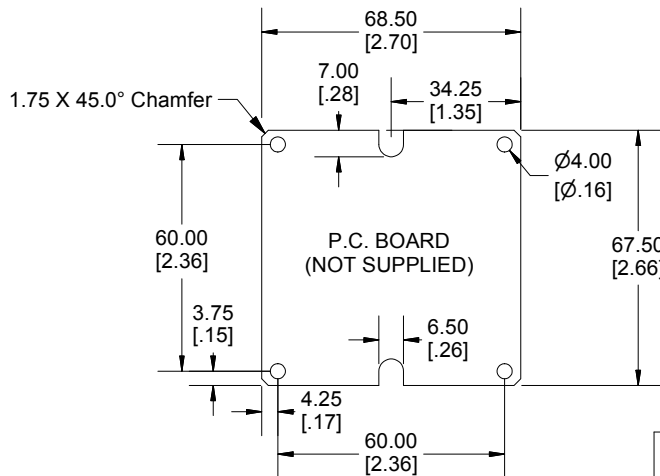
END VIEW



**SECTION A-A
END VIEW**



INSIDE BOTTOM



Dimensions:
mm
[inches]

Enclosures can be Factory Modified (Milling, Drilling, Printing etc.)
Contact Factory (modshop@hammondmfg.com) for quotes
Solid models of this enclosure available in STEP or PARASOLID.
(Part number and text placement/orientation on our products are subject to change,
we do not recommend using them as a locating reference for modification purposes)

NOTE		
Enclosure molded from GP ABS (UL94-HB) plastic. Purchased assembly includes top and bottom cover, 2 flat panels for front and rear and 2 cover screws.		
Recommended Cover Screw Torque - 57lbf-in (40cN-m)		
1593		
1593J Regular Enclosure		
Black Enclosure	1593ARBK	
Grey Enclosure	1593ARGY	
Translucent Blue Enclosure	1593ARTBU	
ACCESSORIES		
Cover Screws #4 X 1/2" Self-Tapping (100 Pkg)	1591TS100 (Silver)	
	1591TS100BK (Black)	
P.C. Board Screws M2.6 X 6mm Self-Tapping	SC519-50 (Pkg 50)	
Nylon Belt Clip	1599CLIP (Black)	
	1599CLIPGY (Grey)	
1593AR STD FLAT PANEL (SINGLE PANEL)	Black	1593ARL1BK-B
	Grey	1593ARL1GY-B
	Translucent Blue	1593ARL1TBU-B
	Infrared	1593ARIR10
1593AR STD CONTOURED PANEL (SINGLE PANEL)	Aluminum	1593ARAL10
	Black	1593ARL2BK-B
	Grey	1593ARL2GY-B
	Translucent Blue	1593ARL2TBU-B

