

VANTAGE

Mechanical Installation Manual

VANTAGE™



Company Profile



1986

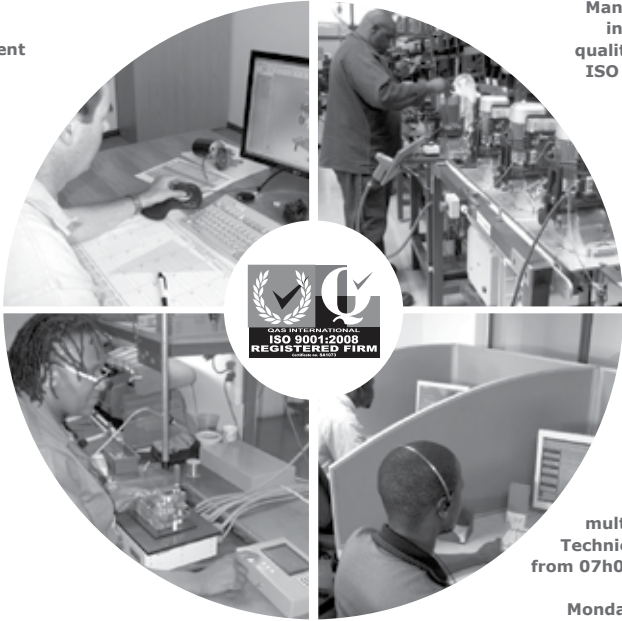
1990

1995

1999

Today

In-house R&D development team



Manufacture to international quality standard ISO 9001:2008



100% testing of products

After-sales multi-language Technical Support from 07h00 to 18h00 UTC+2 Monday to Friday



Sales and technical support to Africa, Europe, Asia, the Americas, Australia and the Pacific

Centurion Systems (Pty) Ltd reserves the right to make changes to the products described in this manual without notice and without obligation of **Centurion Systems (Pty) Ltd** to notify any persons of any such revisions or changes. Additionally, **Centurion Systems (Pty) Ltd** makes no representations or warranties with respect to this manual. No part of this document may be copied, stored in a retrieval system or transmitted in any form or by any means electronic, mechanical, optical or photographic, without the express prior written consent of **Centurion Systems (Pty) Ltd**.



Contents

**SAFETY
FIRST**
IMPORTANT SAFETY INSTRUCTIONS

page 5

1. General Description	page 8
2. Icons Used in this Manual	page 9
3. Specifications	page 10
3.1. Physical Dimensions	page 10
3.2. Technical Specifications	page 11
3.3. V-Series Controller	page 12
3.4. Lightning Protection	page 12
3.5. Power Supply	page 12
3.6. Allowable Gate Mass	page 13
3.7. Allowable Wind Load	page 14
4. Product Identification	page 15
4.1. V-Series Wall Box	page 16
5. Required Tools and Equipment	page 17
6. Preparation of Site	page 18
6.1 General Considerations for the Installation	page 18
6.2 Determine Gate Opening Angle	page 19
6.3 Key Terms Used in this Section	page 20
6.4 Side Wall Limitation - Inward Opening	page 20
6.5 Pillar Hinge Depth Limitation - Inward Opening	page 21
6.6 Wall Bracket Mounting Methods	page 22
6.7 Strength of the Gate and Gate Bracket	page 24
7. Cabling Requirements	page 25
8. Critical Installation Checklist	page 26
9. Operator Installation - Inward Opening Gate(s)	page 27
10. Operator Installation - Outward Opening Gate(s)	page 36

FAST TRACK Mechanical Setup

These quick steps are for the experienced installer who needs a checklist to get a standard installation up and running in the minimum of time.

Detailed installation features and functions are referred to later in this manual.

STEP 1

Gather Required Tools and Equipment

STEP 2

Heed Necessary Site Considerations

STEP 3

Check Cabling Requirements

STEP 4

Determine Gate Swing Angle

STEP 5

Determine Installation Type

- Inward Opening Installation
- Outward Opening Installation

STEP 6

Confirm that gate leaf meets allowable wind loading specifications

STEP 7

Mount the Gate and Wall Bracket(s)

STEP 8

Install Operator and Link to Gate

STEP 9

Mount Controller Enclosure

IMPORTANT SAFETY INSTRUCTIONS

ATTENTION

To ensure the safety of people and possessions, it is important that you read all the following instructions.

Incorrect installation or incorrect use of the product could cause serious harm to people.



The installer, being either professional or DIY, is the last person on the site who can ensure that the operator is safely installed, and that the whole system can be operated safely.

Warnings for the Installer

CAREFULLY READ AND FOLLOW ALL INSTRUCTIONS before beginning to install the product.

- All installation, repair, and service work to this product must be carried out by a suitably qualified person
- This appliance is not intended for use by persons (including children) with reduced physical, sensory or mental capabilities, or lack of experience and knowledge, unless they have been given supervision or instruction concerning use of the appliance by a person responsible for their safety
- Do not activate your gate unless you can see it and can determine that its area of travel is clear of people, pets, or other obstructions
- **NO ONE MAY CROSS THE PATH OF A MOVING GATE;** always keep people and objects away from the gate and its area of travel
- **NEVER LET CHILDREN OPERATE OR PLAY WITH THE GATE CONTROLS**
- Secure all easily-accessed gate opener controls in order to prevent unauthorised use of the gate
- Do not in any way modify the components of the automated system
- Do not install the equipment in an explosive atmosphere: the presence of flammable gasses or fumes is a serious danger to safety
- Before attempting any work on the system, cut electrical power to the operator and disconnect the batteries
- The Mains power supply of the automated system must be fitted with an all-pole switch with contact opening distance of 3mm or greater; use of a 5A hydraulic breaker with all-pole circuit break is recommended
- Make sure that an earth leakage circuit breaker with a threshold of 30mA is fitted upstream of the system

- Never short-circuit the battery and do not try to recharge the batteries with power supply units other than that supplied with the product, or manufactured by Centurion Systems (Pty) Ltd
- Make sure that the earthing system is correctly constructed, and that all metal parts of the system are suitably earthed
- Safety devices must be fitted to the installation to guard against mechanical movement risks such as crushing, dragging and shearing
- It is recommended that at least one warning indicator light be fitted to every system
- Always fit the warning signs visibly to the inside and outside of the gate
- The installer must explain and demonstrate the manual operation of the gate in case of an emergency, and must hand the User Guide/Warnings over to the user
- The installer must explain these safety instructions to all persons authorised to use this gate, and be sure that they understand the hazards associated with automated gates
- Do not leave packing materials (plastic, polystyrene, etc.) within reach of children as such materials are potential sources of danger
- Dispose of all waste products like packing materials, worn-out batteries etc, according to local regulations
- Always check the obstruction detection system, and safety devices for correct operation
- Neither Centurion Systems (Pty) Ltd, nor its subsidiaries, accept any liability caused by improper use of the product, or for use other than that for which the automated system was intended
- This product was designed and built strictly for the use indicated in this documentation; any other use, not expressly indicated here, could compromise the service life/operation of the product and/or be a source of danger
- Everything not expressly specified in these instructions is not permitted



Never run the operator directly from the battery!
Doing so will cause damage to the operator.
Only run the operator from the V-Series Controller.

This section has been left blank intentionally.

1. General Description

The **VANTAGE** linear swing gate motor, available in two models with actuation strokes of 400mm and 500mm, respectively, has been designed to automate a wide variety of swing gates, from single light-domestic gates to heavy industrial double swing gates.

The fail-safe and fully-redundant Position and Collision Detection System has been designed and tested to set the standard in safety of operation and to provide an unparalleled level of reliability and durability in operation.

The gate Travel Limits are managed by a sealed double-redundant opto-electronic system that has been designed not only to ensure ultra-reliable operation, but also to ensure precise position and trajectory control. This enables very accurate and reliable collision detection to ensure safe operation even under trying conditions.

This guide covers the mechanical installation of your new **VANTAGE** swing gate operator.



VANTAGE swing gate operators can be installed on both inward- and outward opening swing gates. Please see the relevant sections for each type of installation, paying attention to any site preparation that needs to be made before the operators are installed.

2. Icons Used in this Manual



This icon indicates tips and other information that could be useful during the installation.



This icon denotes variations and other aspects that should be considered during installation.



This icon indicates warning, caution or attention! Please take special note of critical aspects that MUST be adhered to in order to prevent injury.

3. Specifications

3.1. Physical Dimensions

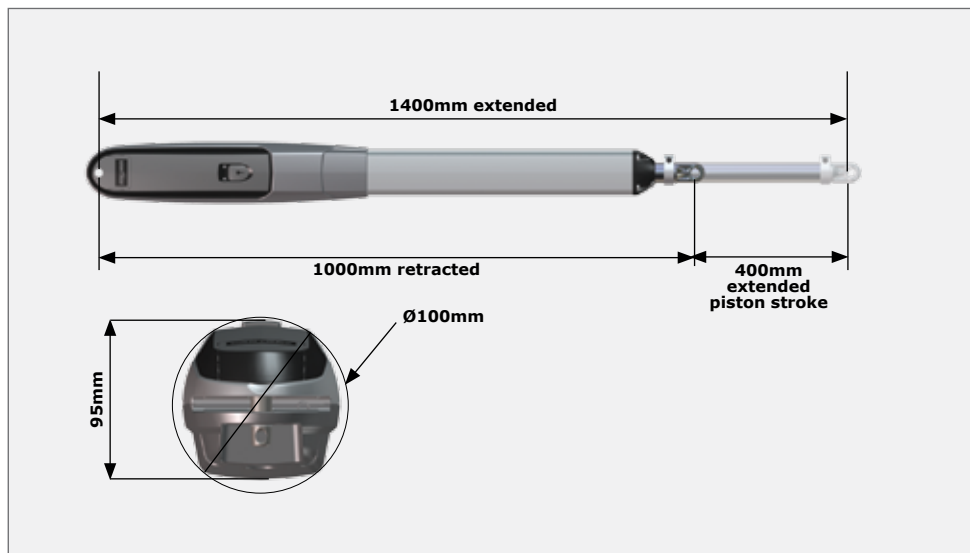


FIGURE 1. VANTAGE 400 OVERALL DIMENSIONS

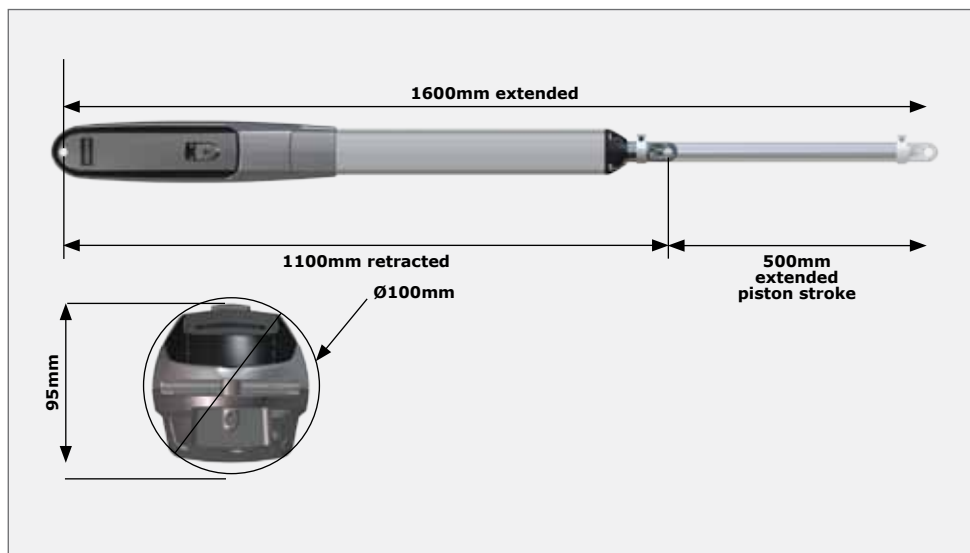


FIGURE 2. VANTAGE 500 OVERALL DIMENSIONS

3.2. Technical Specifications - VANTAGE Operator

	VANTAGE 400	VANTAGE 500
Input voltage	90V - 240V AC \pm 10%, 50/60Hz	
Motor voltage	12V DC	
Motor power supply	Battery-driven (standard capacity - 7Ah) ¹	
Battery charger ²	1.8A @ 13.8V	
Current consumption (Mains)	170mA	
Current consumption (motor at rated load)	15A - maximum	
Operator push force - maximum	250kgf	
Operator stroke	400mm	500mm
Piston extension/retraction speed	28mm/sec (variable)	
Typical gate opening time ³	14.3 sec	17.8 sec
Manual override	Key release ⁴	
Maximum number of operations per day	250	
Duty cycle - Mains present ⁵ ⁶	50%	
Operations in standby with 7Ah battery ⁷		
Half day	70	
Full day	58	
Collision Sensing	Electronic	
Operating temperature range	-15°C to +50°C	
Mass of unit packed (excluding battery)		
Single kit ⁸	8.5kg	9kg
Double kit ⁹	14kg	15kg

TABLE 1

1. Can increase battery capacity for longer standby times
2. Can operate off a solar supply, consult your reseller for assistance
3. Assumes a full stroke of operator is used
4. Each operator comes with a unique set of keys
5. Based on 25°C ambient temperature and unit not in direct sunlight
6. Based on an operator push force of less than 50% of rated
7. Based on double kit excluding Infrared Safety Beams
8. Single kit contains one operator and Wall Box
9. Double kit contains two operators and one Wall Box

3.3. V-Series Controller

Maximum motor current per channel	15A (fused)
Maximum input voltage	14.4V DC
Standby current draw	48mA
Maximum solenoid current draw	2A DC
Maximum auxillary output current	3A (Resettable Electronic Fuse)
Collision detection	Current sense and redundant-optical
Position and trajectory control	Redundant optical
Temperature range	-20°C to +60°C
Onboard receiver type	Code-hopping multichannel
Receiver code storage capacity	64 transmitter buttons
Receiver frequency	433MHZ

TABLE 2

3.4. Lightning Protection

The **V-Series Controller** utilises the same proven surge protection philosophy that is used in all our products. While this does not guarantee that the unit will not be damaged in the event of a lightning strike or power surge, it greatly reduces the likelihood of such damage occurring. The earth return for the surge protection is provided via the mains power supply earth. In order to ensure that the surge protection is effective, it is essential that the unit is properly earthed.

3.5. Power Supply

Nominal input voltage	90V - 240V AC \pm 10% @ 50/60Hz
AC current draw (maximum)	170mA
Temperature range	-20°C to +60°C
Battery charger output current (dependant on PSU input voltage)	90V AC input: 1.2A @ 13.8V 240V AC input: 1.8A @ 13.8V

TABLE 3

3.6. Allowable Gate Mass



Ensure that the gate leaf meets Wind Load Specifications

Maximum allowable gate mass for the **VANTAGE 400** operator

Gate swing angle	Up to 1.5m	Up to 2m	Up to 2.5m	Up to 3m ¹	Up to 3.5m ¹	Up to 4m ¹
90°	500kg	500kg	500kg	360kg	260kg	200kg
100°	500kg	500kg	388kg	160kg	190kg	150kg
110°	500kg	306kg	198kg	130kg		
120°	180kg	100kg	65kg	Not recommended		

1. An electric lock must be fitted to secure gate in closed position

TABLE 4

Maximum allowable gate mass for the **VANTAGE 500** operator

Gate swing angle	Up to 1.5m	Up to 2m	Up to 2.5m	Up to 3m ¹	Up to 3.5m ¹	Up to 4m ¹
90°	750kg	750kg	750kg	550kg	410kg	310kg
100°	750kg	750kg	600kg	420kg	310kg	230kg
110°	750kg	500kg	320kg	220kg		
120°	310kg	170kg	110kg	Not recommended		

1. An electric lock must be fitted to secure gate in closed position

TABLE 5

3.7. Allowable Wind Load

Wind speeds for which operator will still operate the gate.

(**VANTAGE 400** or **VANTAGE 500** operators)

For a 25% covered gate: (Palisades, etc.) x 1.8 metre high

Value of A or B dimension once installed ¹	Individual gate leaf lengths:					
	Up to 1.5m	Up to 2m	Up to 2.5m	Up to 3m ²	Up to 3.5m ²	Up to 4m ²
100mm	94km/h	66km/h	48km/h	44km/h	41km/h	37km/h
140mm	119km/h	85km/h	65km/h	57km/h	51km/h	46km/h
180mm	138km/h	101km/h	78km/h	67km/h	60km/h	53km/h
220mm	156km/h	114km/h	89km/h	76km/h	67km/h	60km/h
260mm	171km/h	126km/h	99km/h	84km/h	74km/h	65km/h
300mm	186km/h	137km/h	108km/h	91km/h	80km/h	71km/h
340mm	199km/h	147km/h	116km/h	98km/h	86km/h	76km/h

TABLE 6

1. See Section 9/10 for installation details

2. An electric lock must be fitted

Wind speeds for which operator will still operate the gate.

(**VANTAGE 400** or **VANTAGE 500** operators)

For a 100% covered gate: (Fully-clad gates, etc.) x 1.8 metre high

Value of A or B dimension once installed ¹	Individual gate leaf lengths:					
	Up to 1.5m	Up to 2m	Up to 2.5m	Up to 3m ²	Up to 3.5m ²	Up to 4m ²
100mm	47km/h	33km/h	24km/h	22km/h	47km/h	19km/h
140mm	59km/h	43km/h	32km/h	28km/h	59km/h	23km/h
180mm	69km/h	50km/h	39km/h	34km/h	69km/h	27km/h
220mm	78km/h	57km/h	44km/h	38km/h	78km/h	30km/h
260mm	86km/h	63km/h	49km/h	42km/h	86km/h	33km/h
300mm	93km/h	63km/h	54km/h	46km/h	93km/h	35km/h
340mm	100km/h	74km/h	58km/h	49km/h	100km/h	38km/h

TABLE 7

1. See Section 9/10 for installation details

2. An electric lock must be fitted

4. Product Identification

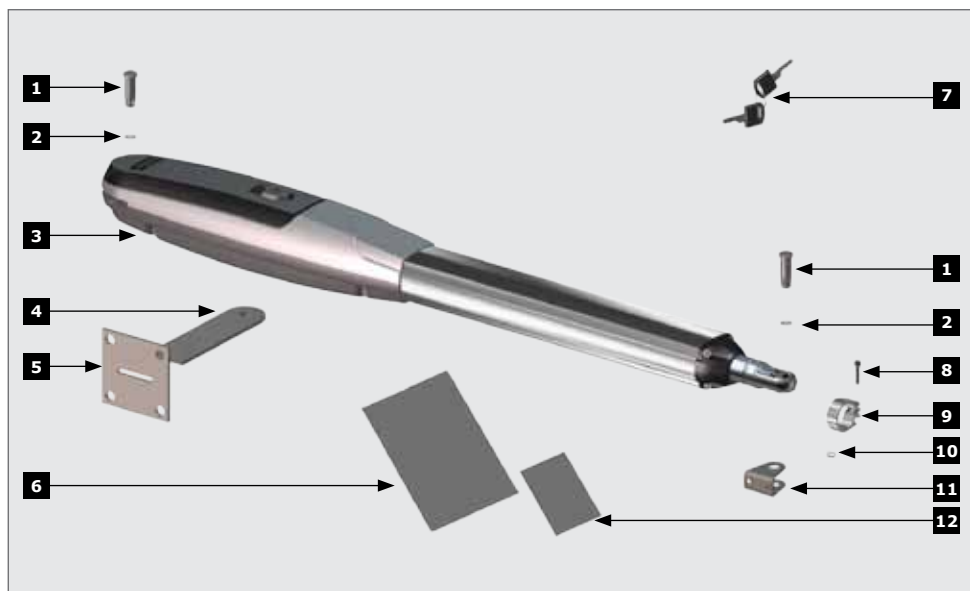


FIGURE 3. KIT IDENTIFICATION

- | | |
|--|--------------------------------------|
| 1. Gate Bracket pin | 7. Gate operator keys ¹ |
| 2. 14mm snap ring | 8. Stainless steel cap screw M5 x 25 |
| 3. VANTAGE gate operator
(complete assembly) | 9. Origin clamp |
| 4. Wall Bracket | 10. M5 barrel nut |
| 5. Wall Bracket mounting plate | 11. Gate Bracket |
| 6. Mechanical Installation Manual | 12. Gate Warning Decal |

1. Keys are specific to each operator - key number must be recorded

4.1. V-Series Wall Box

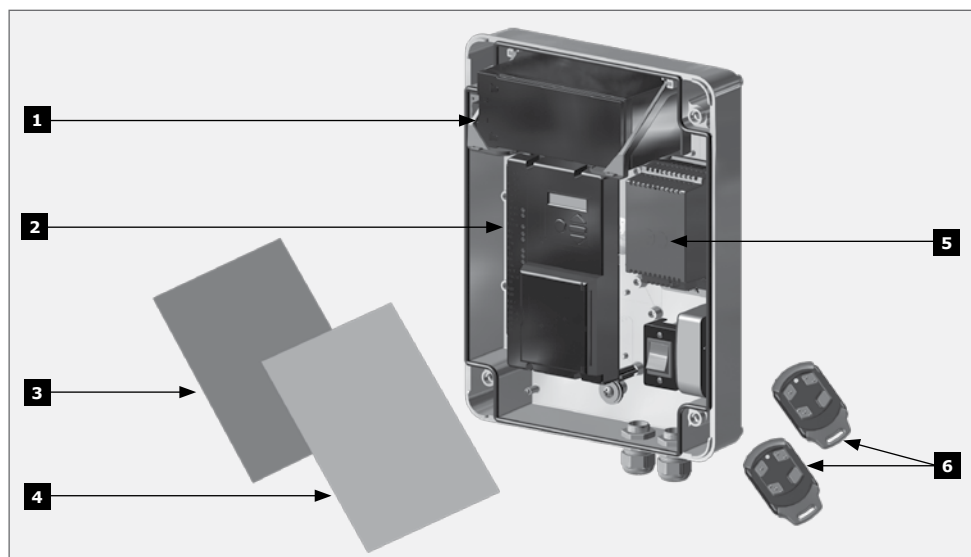


FIGURE 4. V-SERIES WALL BOX INCLUDING CHARGER AND CONTROLLER

1. 12V 7.2Ah Battery ¹
2. **V-Series** Controller with built-in receiver
3. **V-Series** User Guide
4. **V-Series** Electrical Setup & Commissioning Guide
5. Charger
6. Code-hopping remote controls

1. Batteries can be of a larger capacity for longer power failure autonomy and are not included in the kit; Consult your local authorised dealer for assistance

5. Required Tools & Equipment

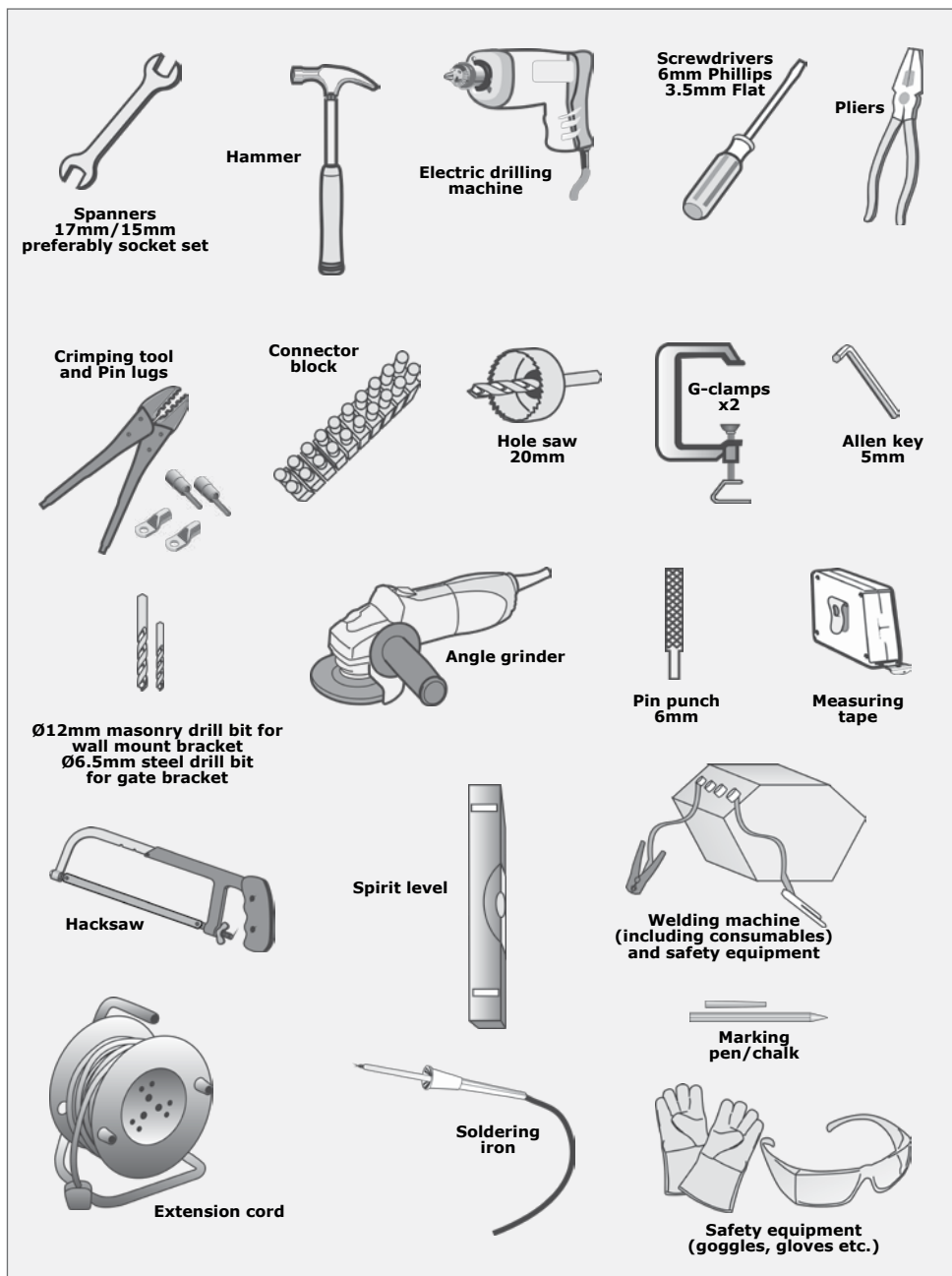


FIGURE 5

6. Preparation of Site

6.1. General Consideration for the Installation

Always recommend the fitment of additional safety equipment such as safety edges and Safety Beams (i5 or Photon), for additional protection against entrapment or other mechanical risks.

Check that no pipes or electrical cables are in the way of the intended installation.

Check that enough space is available for the gate operator with the gate in the required open position (see Figure 6).

If the swing gate leaf is longer than 3 metres, ensure that an electric lock can be fitted.

For security reasons, never fit an operator on the outside of the gate, where the public has access to it (refer to the instructions for an Outward-opening swing gate).

Never run an operator directly off the 12V battery.

Install the gate operator only if:

- It will not pose a hazard to the public
- There is sufficient clearance to a roadway and/or public thoroughfares
- The installation will meet all municipal and/or local authority requirements once completed
- The gate mass, leaf width, wind loading and application is within the operator specifications
- The gate is in good working order, meaning:
 - that it swings freely;
 - does not move on its own if left in any position;
 - each gate leaf is strong and rigid;
- Once installed, there is sufficient clearance between moving parts during operation of the gate to reduce the risk of personal injury and/or entrapment
- It is recommended that Pushbuttons and Keyswitches, if fitted, be positioned in such a way that the gate is in line of sight of the user

6.2. Determine Gate Opening Angle

Use this procedure to accurately determine the gate opening angle:

6.2.1. Step 1

Close the gate and measure a distance of one metre from the centreline of the gate hinge.

Make a mark on the ground.

6.2.2. Step 2

Open the gate and measure along the gate a distance of one metre from the centreline of the gate hinge.

Make a mark on the ground.

Measure the distance on the ground between the two marks (Z).

Using this Z-Value, read off the gate opening angle from the Table below.

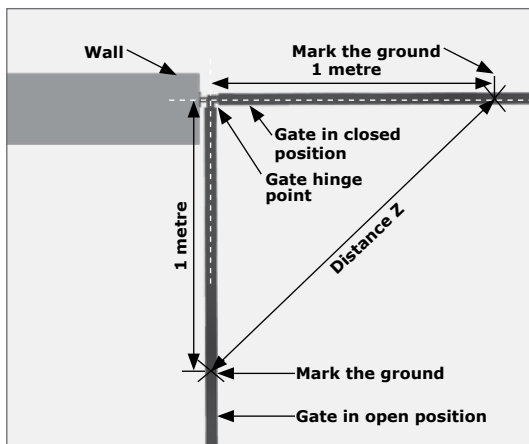


FIGURE 6

6.2.3. Step 3

Gate opening angle based on Z-Value

From	To	Use gate swing angle of
1414mm	1521mm	90° - 99°
1532mm	1638mm	100° - 110°

TABLE 8

6.3. Key Terms Used in this Section

6.3.1. Pillar maximum

The maximum allowable distance measured from the centre of the gate hinge to the edge of the pillar.

6.3.2. Wall minimum

This value denotes the minimum amount of space needed to install the operator and is measured from the side wall to the gate when the gate is in the open position.

6.4. Side Wall Limitation - Inward Opening

Figure 7 shows the side wall limitations for an **Inward opening gate**. The operator must be installed in accordance with these limitations. If the wall minimum cannot be achieved, consider using an outward swing configuration.

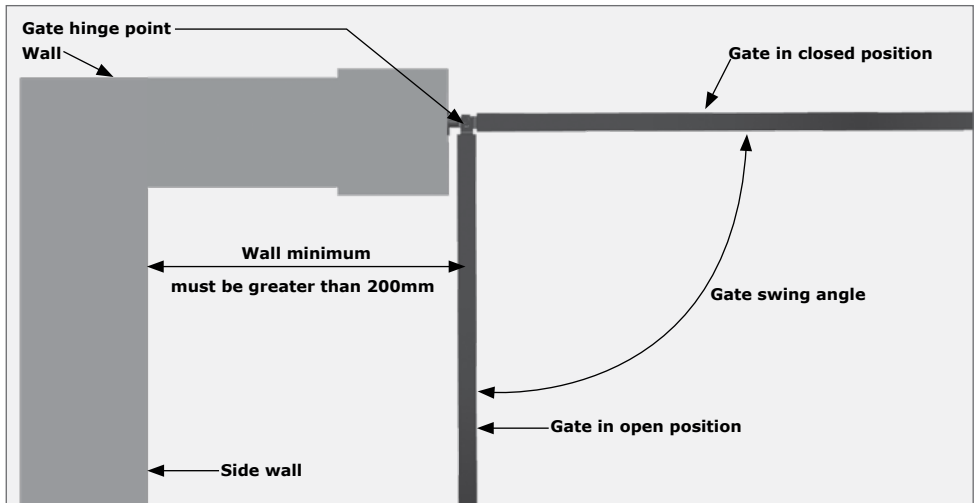


FIGURE 7. SIDE WALL LIMITATION FOR INWARD OPENING GATE

6.5. Pillar Hinge Depth Limitation - Inward Opening

Figure 8 shows the pillar hinge depth limitation for an **Inward opening gate**. An operator must be installed in accordance with these limitations to ensure that it does not interfere with the operation of the gate during movement. The hinge depth of the gate on the pillar, needs to be checked against the pillar maximum values in Table 9 to determine if the installation is possible. If the hinge depth of the gate is excessive, the gate may have to be relocated on the pillar to achieve the required pillar maximum values.

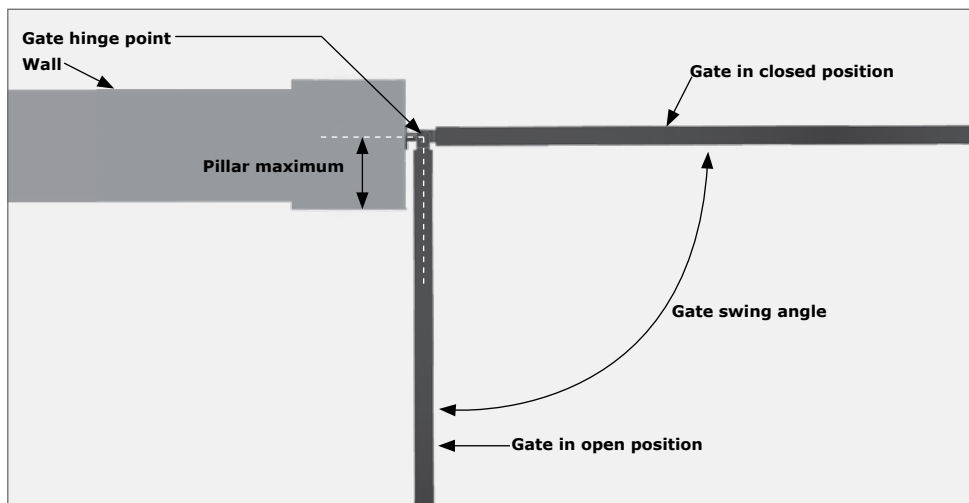


FIGURE 8. PILLAR HINGE DEPTH LIMITATION FOR INWARD OPENING GATE

Operator	Pillar Maximum	Swing Gate Angle
VANTAGE 400	175mm	90°
VANTAGE 400	155mm	100°
VANTAGE 400	145mm	110°
VANTAGE 500	245mm	90°
VANTAGE 500	235mm	100°
VANTAGE 500	230mm	110°

TABLE 9

6.6. Wall Bracket Mounting Methods

The following recommended methods may be used to install the operator.

6.6.1. Through-wall

Applications:

- Pre-fabricated walling
- For heavy gates operating frequently

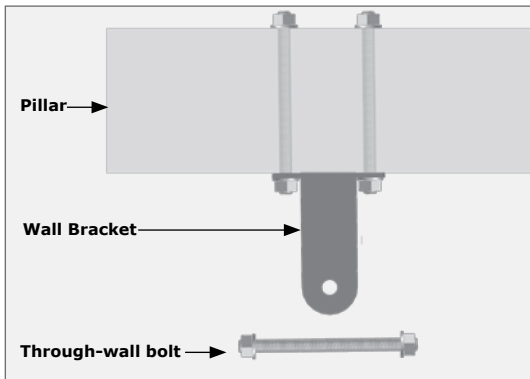


FIGURE 9

6.6.2. Chemical anchors

Applications:

- Masonry pillars
- Frequent use

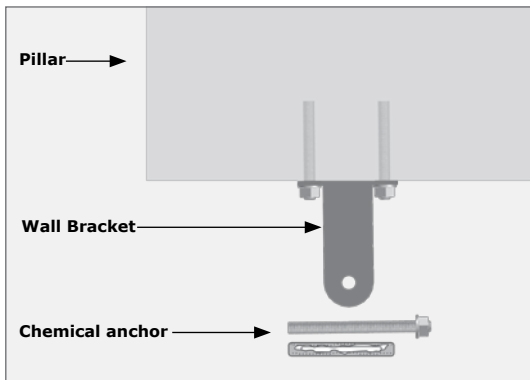


FIGURE 10

6.6.3. Welding

Application:

- Steel pillars

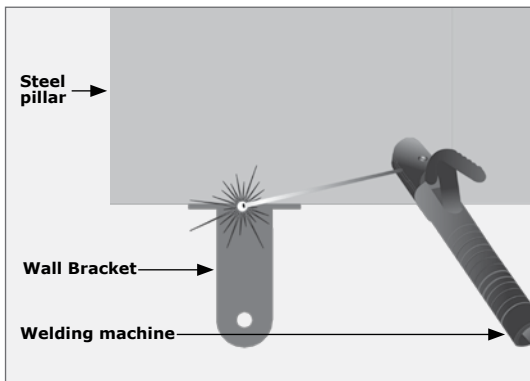


FIGURE 11

6.6.4. Sleeve anchors

Applications:

- Lighter gates
- Domestic

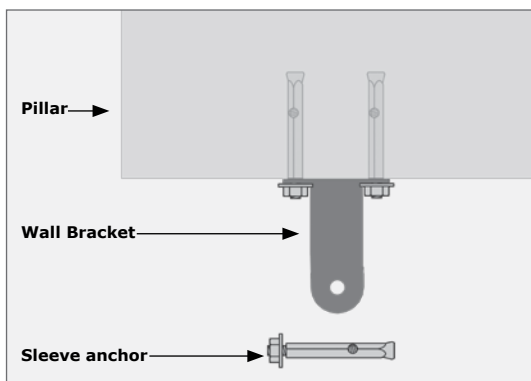


FIGURE 12

6.6.5. Rawl bolts

Applications:

- Lighter gates
- Domestic

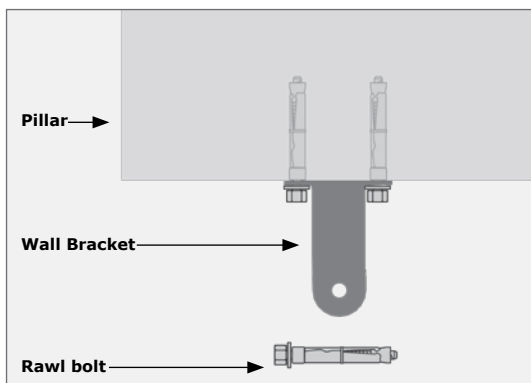


FIGURE 13

6.7. Strength of the Gate and Gate Bracket

6.7.1. Welding

Applications:

- Domestic
- Medium gates
- Frequent use

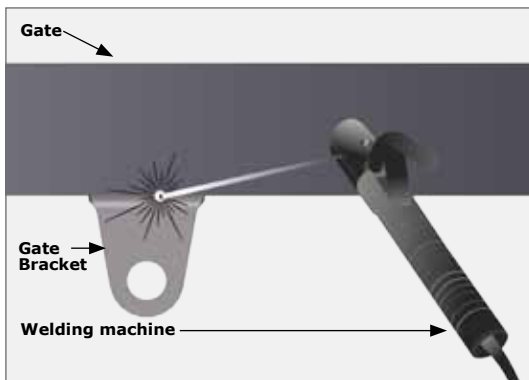


FIGURE 14

6.7.2. Through-bolts

(high-tensile)

Applications:

- Domestic
- Light gates
- Infrequent use



TEK screws and mild steel bolts are not recommended.

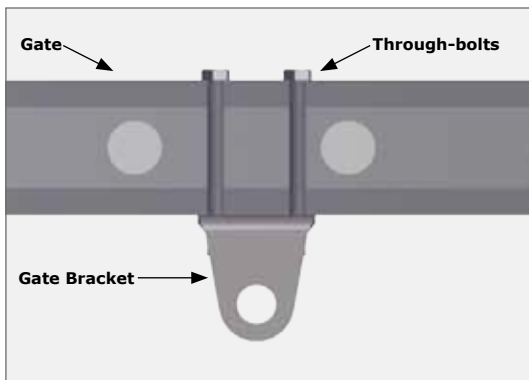


FIGURE 15

7. Cabling Requirements

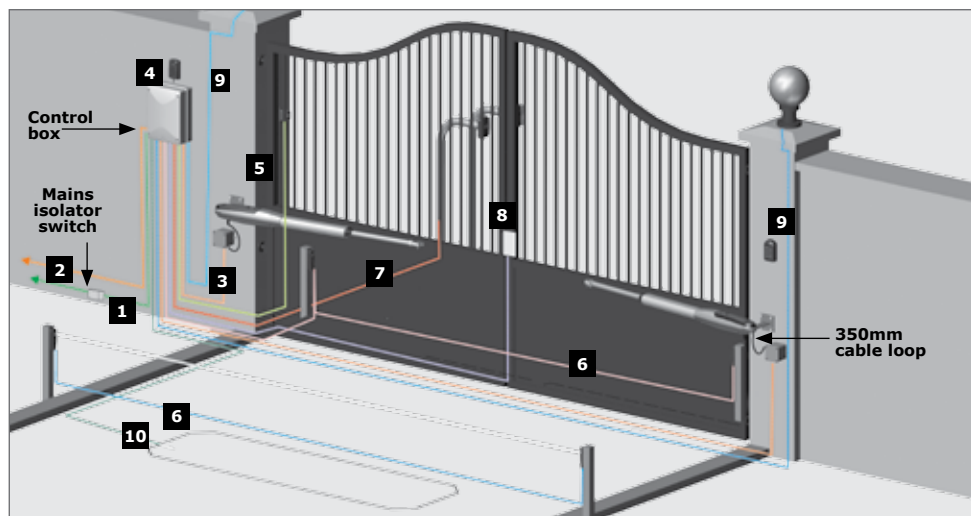


FIGURE 16. CABLING REQUIREMENTS

Legend

1. 90V - 240V AC Mains cable via Mains isolator¹ switch (3 core LNE 0,5mm²)², or low-voltage 16V AC battery charger supply³ (2 core 1,5mm²).
 2. Intercom cable (n1 + 6 core) to house.
 3. Master Motor (MTR M) or Slave Motor (MTR S) cable. (Minimum, 2 core 1.5mm² + 4 core 0,22mm² multi-stranded)⁴.
 4. Optional radio receiver cable (3 core 0,5mm² multi-stranded, optional)⁵.
 5. Optional Pedestrian Keyswitch (2 core 0,5mm² multi-stranded) or optional keypad (3 core 0,5mm² multi-stranded).
 6. Optional, but recommended infrared Safety Beams (3 core 0,5mm² multi-stranded or 4 core 0.5mm² for CE compliance).
 7. Optional intercom cable (n2+2 core 0,5mm² multi-stranded) to gate station.
 8. Optional electric lock (2 core 0.5mm²).
 9. Optional Pillar Light cable (3 core, size according to power regulations).
 10. Optional ground loop for free-exit (1 core 0.5mm² multi-stranded - silicone-coated)⁶.
1. Mains isolator supplied with V-Series wall box
 2. Increase cable thickness if Pillar Lights are to be installed
 3. Screened cable is always recommended to provide better protection against lightning - earth one end of screening
 4. Please use V-Series cabling. Order reference: CABLEVEC68
 5. For optimum range an external receiver can be mounted on the wall
 6. Consult manufacturer of loop detector for specific details



- **All cables must be routed in conduit unless underground cable is being used**
- **Mains isolator must be less than one metre from the operator**
- **Safety Beams are always recommended, i5 or Photon**

8. Critical Installation Checklist

The following is a list of critical requirements that must be adhered to in order to ensure reliable operation of your VANTAGE operator(s):

- Ensure that the Wall Bracket is securely anchored
- Make sure that the operator's maximum stroke is being utilised
- Only use V-Series cable for the installation
- Leave a 350mm long loop in the cable
- Fit an electric gate lock if the leaf width is greater than 3 metres
- Ensure that the opening and closing angles conform to the installation guidelines
- Ensure that your gate and operator(s) are equipped to deal with Wind Loading (refer to the Table 6 and 7 on page 14)



Never run the operator directly from the battery! Doing so will cause damage to the operator. Only run the operator from the V-Series Controller.

9. Operator Installation - Inward Opening Gates

Figure 17 illustrates the values corresponding to the Inward Opening Gate Installation Tables.

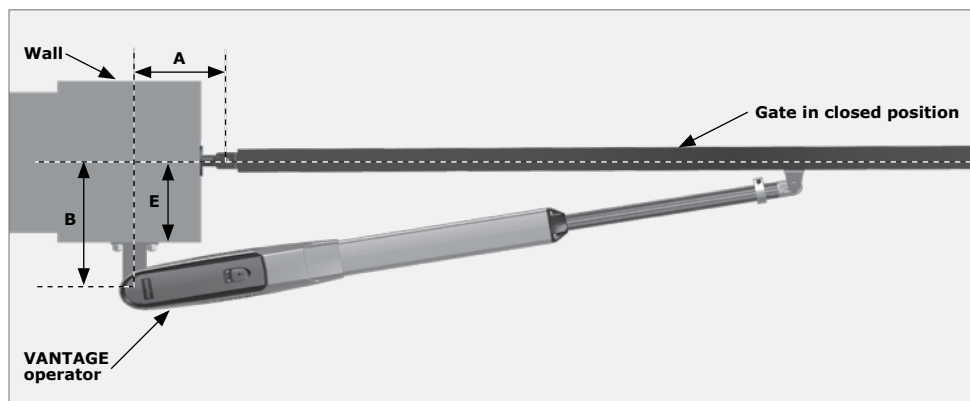


FIGURE 17. BRACKET POSITION - INWARD OPENING GATE



Ensure that the gate mass does not exceed the specifications on page 14.

9.1. Key terms used in this section

9.1.1. E-Value

The distance from the centre of the gate hinge to the edge of the pillar.

9.1.2. A-Value

The horizontal distance from the Wall Bracket/pivot pin to the center of the gate hinge.

9.1.3. B-Value

The vertical distance from the Wall Bracket/pivot pin to the center of the gate hinge.

9.2. Step 1

Measure the E-Value and ensure that it does not exceed values shown in Figure 8 and Table 10 on page 21.

Depending on the gate opening angle determined in Section 6.2 and the E-Value measured, determine the installation distances for the A- and B-Value using the Tables shown on pages 29 to 31.

Example: 90° Inward Opening gate (VANTAGE 400):

Assume that the E-Value has been measured as 160mm. By looking at this Table at E-Values that are smaller than (<) 165mm, the relevant A- and B-Values are: A=145mm and B=240mm.

E-Value Depth of gate hinge to pillar	A-Value	B-Value
<165mm	145mm	240mm
<175mm	130mm	250mm

VANTAGE 400 Inward Opening Gate Geometry Tables:

90° Inward Opening Gate

E-Value Depth of gate hinge to pillar	A-Value	B-Value
<145mm ¹	170mm ¹	220mm ¹
<155mm	160mm	230mm
<165mm	145mm	240mm
<175mm	130mm	250mm

TABLE 10

1. Optimum Installation

100° Inward Opening Gate

E-Value Depth of gate hinge to pillar	A-Value	B-Value
<125mm ¹	165mm ¹	200mm ¹
<135mm	155mm	210mm
<145mm	145mm	220mm
<155mm	135mm	230mm

TABLE 11

1. Optimum Installation

110° Inward Opening Gate

E-Value Depth of gate hinge to pillar	A-Value	B-Value
<115mm ¹	155mm ¹	190mm ¹
<125mm	145mm	200mm
<135mm	140mm	210mm
<145mm	130mm	220mm

TABLE 12

1. Optimum Installation

VANTAGE 500 Inward Opening Gate Geometry Tables:

90° Inward Opening Gate

E -Value Depth of gate hinge to pillar	A-Value	B-Value
<190mm¹	205mm¹	280mm¹
<205mm	195mm	290mm
<215mm	180mm	300mm
<225mm	170mm	310mm
<235mm	155mm	320mm
<245mm	140mm	330mm

1. Optimum Installation

TABLE 13

100° Inward Opening Gate

E-Value Depth of gate hinge to pillar	A-Value	B-Value
<175mm¹	195mm¹	260mm¹
<185mm	185mm	270mm
<195mm	175mm	280mm
<205mm	165mm	290mm
<215mm	155mm	300mm
<225mm	145mm	310mm
<235mm	135mm	320mm

1. Optimum Installation

TABLE 14

VANTAGE 500 Inward Opening Gate Geometry Table:**110° Inward Opening Gate**

E-Value Depth of gate hinge to pillar	A-Value	B-Value
<150mm¹	190mm¹	240mm¹
<160mm	185mm	250mm
<170mm	175mm	260mm
<180mm	170mm	270mm
<190mm	160mm	280mm
<205mm	150mm	290mm
<210mm	145mm	300mm
<220mm	135mm	310mm
<230mm	125mm	320mm

TABLE 15

1. Optimum Installation

9.2. Step 2

Determine a suitable height for the Wall Bracket.



Ensure that this mounting height will allow the Gate Bracket to be securely mounted to the Gate Leaf.



Take care to make sure the operator is mounted level.

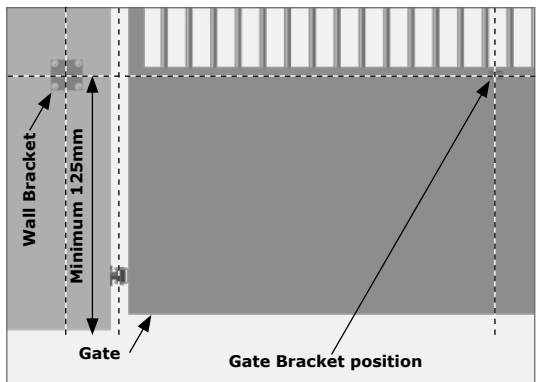


FIGURE 18. WALL BRACKET HEIGHT

9.3. Step 3

Mark the determined length on the Wall Bracket.

Cut off excess length.

Insert the Wall Bracket into the mounting plate.

Weld the brackets together.

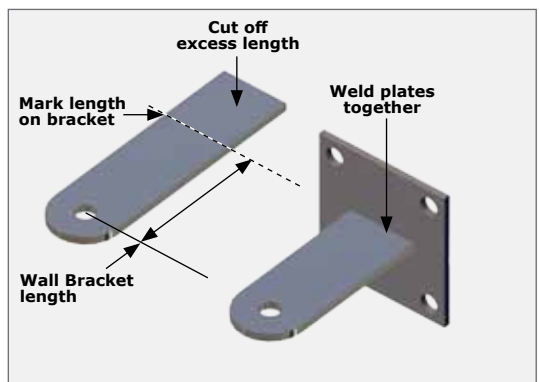


FIGURE 19. CUT AND WELD WALL BRACKET

9.4. Step 4

Mount the Wall Bracket according to the A- and B-Values obtained in Step 1 on page 27.



It is critical that the Wall Bracket is securely mounted.



See page 18 for Site Considerations.

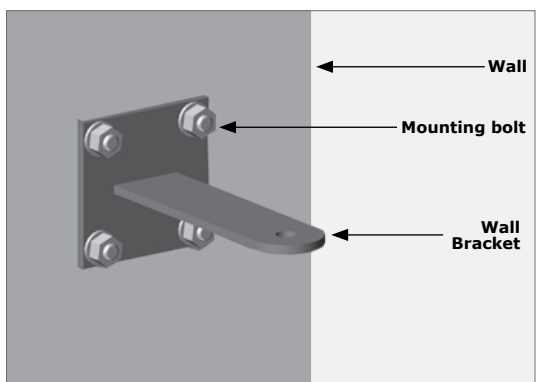


FIGURE 20

9.5. Step 5

Fit the Gate Bracket to the VANTAGE.

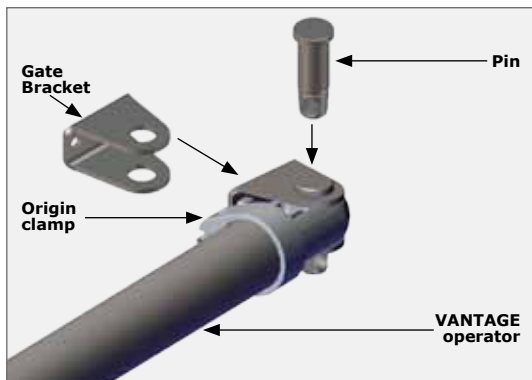


FIGURE 21

9.6. Step 6

Fit the motor end of the operator to the Wall Bracket.



Support the operator to prevent damage

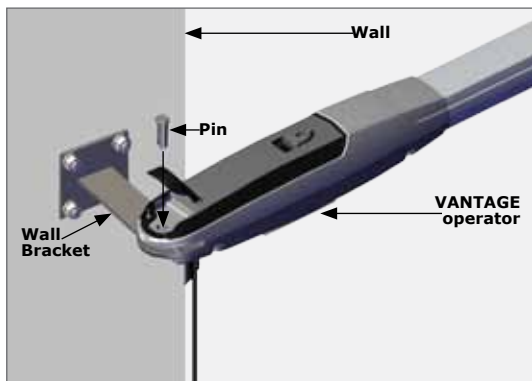


FIGURE 22

9.7. Step 7

Manually rotate the piston to the fully extended position, and then retract it by half to one full turn.

With the gate in the closed position, use a G-clamp or spot weld the Gate Bracket in position to temporarily hold the Gate Bracket in place.



The G-clamp should only be used to secure the Gate Bracket in place, and should never be used as a means of securing the operator piston arm as this could result in damage.

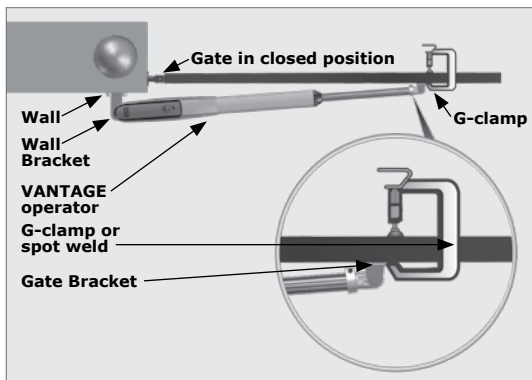


FIGURE 23

9.8. Step 8

Manually release the operator using the key provided with the kit, and swing the gate to the desired open position.

Slide the origin clamp along the piston tube, right up to the end to the operator.

Secure origin clamp in place, and tighten properly with an Allen Key.

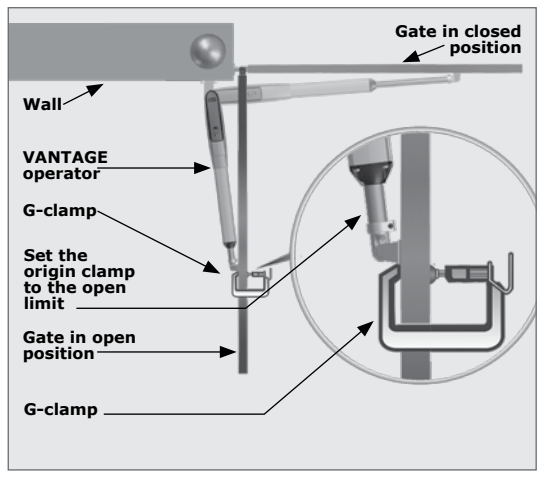


FIGURE 24

9.9. Step 9

If the gate opening angle is sufficient and the operator is utilising the majority of its stroke, then secure the Gate Bracket using the most appropriate means.



Remove the operator before welding, if welding is required.

If this is not the case or the operator does not have enough stroke for the gate to open fully, re-check the A- and B-Values from Table 10 on page 29 to Table 15 on page 31.

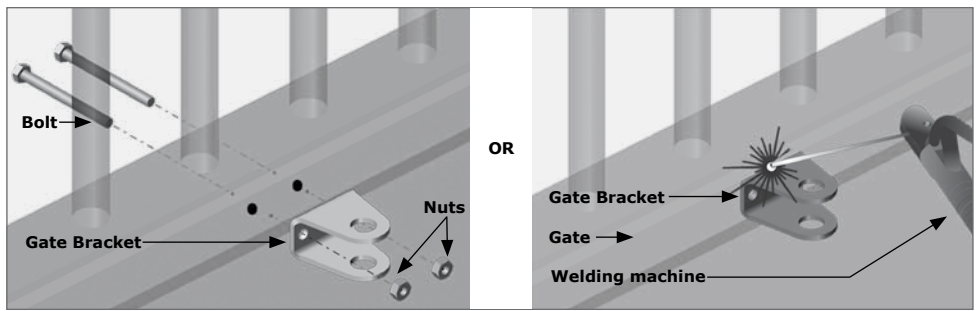


FIGURE 25

Attach warning labels to the inside and outside of the gate as shown.

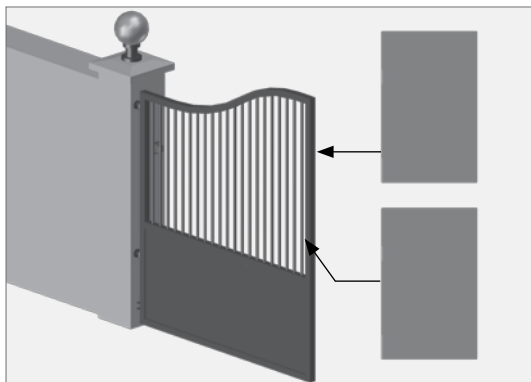


FIGURE 26

The Mechanical part of the installation is now complete.

10. Operator Installation - Outward Opening Gates

10.1. Step 1

Depending on the gate opening angle determined in Section 6.2 refer to Figures 27 to 28 for the correct installation geometry.

In most cases it will be necessary to make up a suitable extension bracket on which to mount the operator's Wall Bracket.

! Ensure that the gate mass does not exceed the specifications on page 13.

VANTAGE 400 Outward Opening Gate:

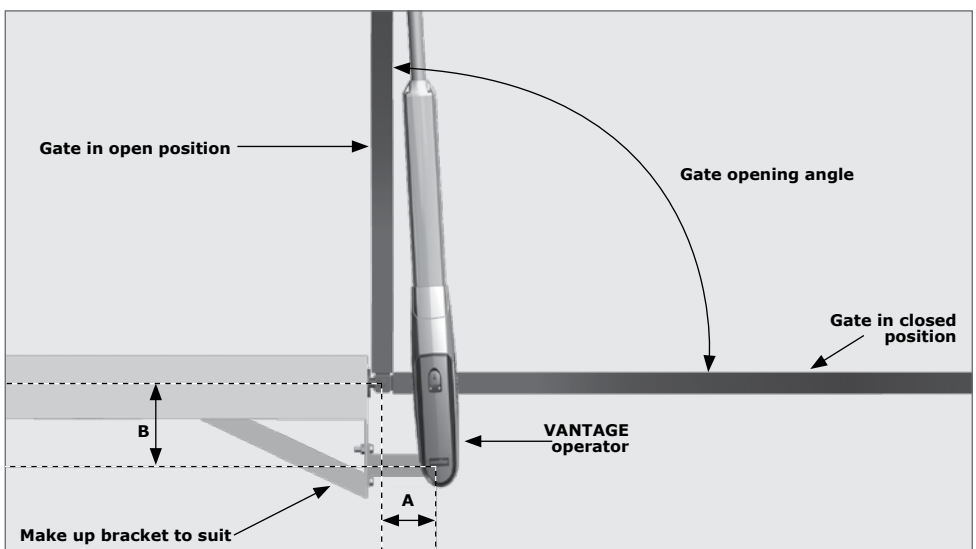


FIGURE 27. VANTAGE 400 OUTWARD OPENING GATE

VANTAGE 400 Outward Opening Geometry Tables:

Gate Opening Angle	A	B
90°	220mm	170mm
100°	200mm	160mm
110°	185mm	160mm

TABLE 16

VANTAGE 500 Outward Opening Gate:

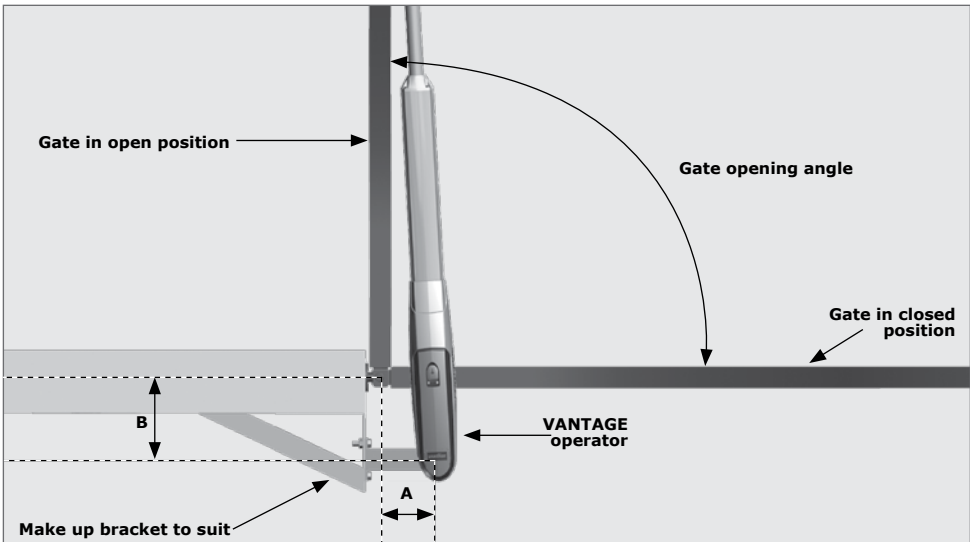


FIGURE 28. VANTAGE 500 OUTWARD OPENING GATE

VANTAGE 500 Outward Opening Geometry Tables:

Gate Opening Angle	A	B
90°	280mm	210mm
100°	255mm	200mm
110°	240mm	190mm

TABLE 17

10.2. Step 2

Determine a suitable height for the Wall Bracket.



Ensure that this mounting height will allow the Gate Bracket to be securely mounted to the Gate Leaf.



Take care to make sure the operator is mounted level.

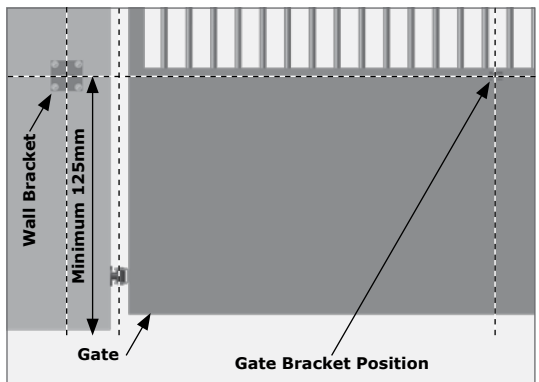


FIGURE 29. BRACKET HEIGHT

10.3. Step 3

Mark the determined length on the Wall Bracket.

Cut off the excess length.

Insert the Wall Bracket into the mounting plate.

Weld the brackets together.

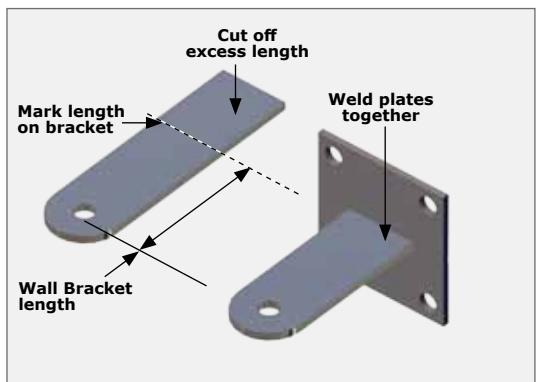


FIGURE 30. CUT AND WELD WALL BRACKET

10.4. Step 4

Mount the Wall Bracket according to the A- and B-Values obtained in Step 1 on page 36.



It is critical that the Wall Bracket is securely mounted and is adequately rigid.



See page 18 for site considerations.

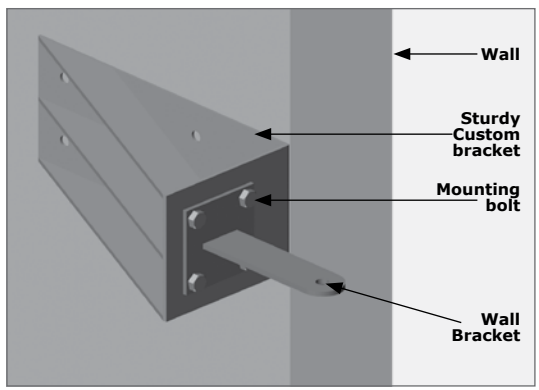


FIGURE 31

10.5. Step 5

Fit the Gate Bracket to the VANTAGE.

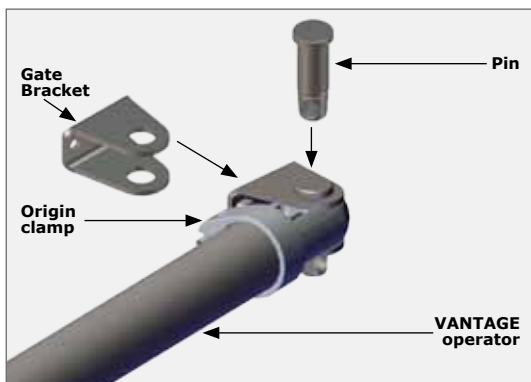


FIGURE 32

10.6. Step 6

Fit the motor end of the operator to the Wall Bracket.



Support the operator to prevent damage

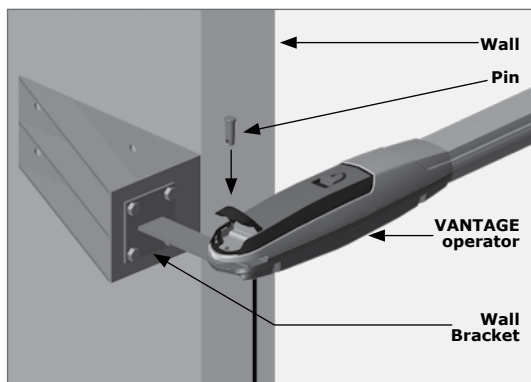


FIGURE 33

10.7. Step 7

Manually rotate the piston to the fully retracted position, and then extend it by half to one full turn.

With the gate in the closed position, use a G-clamp or spot weld the Gate Bracket in position to temporarily hold the Gate Bracket in place.

The G-clamp should only be used to secure the Gate Bracket in place, and should never be used as a means of securing the operator piston arm as this could result in damage.

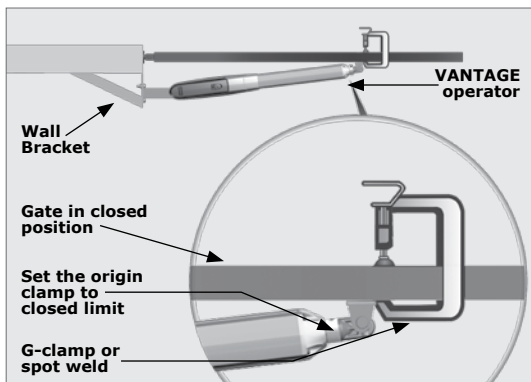


FIGURE 34

10.8. Step 8

Manually release the operator using the key provided with the kit, and swing the gate to the desired open position.

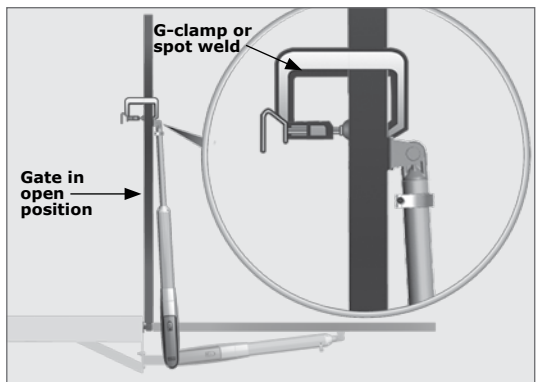


FIGURE 35

10.9. Step 9

If the gate opening angle is sufficient and the operator is utilising the majority of its stroke, then secure the Gate Bracket using the most appropriate means.



Remove the operator before welding, if welding is required.

If this is not the case or the operator does not have enough stroke for the gate to open fully, re-check the A- and B-Values from Table 16 on page 36 to Table 17 on Page 37.

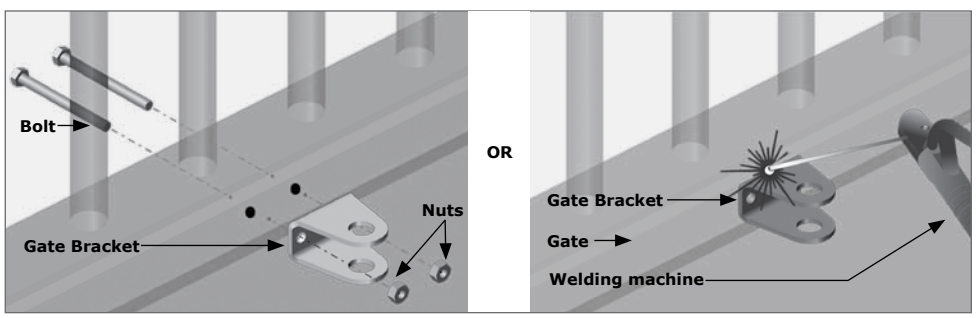


FIGURE 36

Attach warning labels to the inside and outside of the gate as shown.

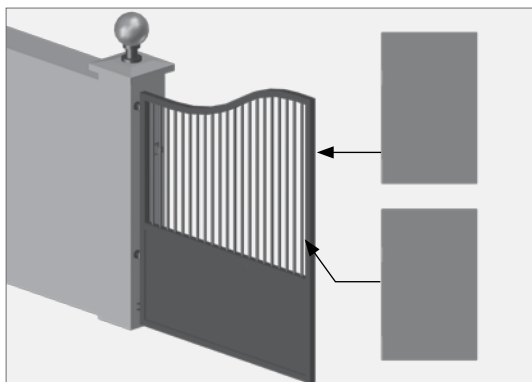


FIGURE 37

The Mechanical part of the installation is now complete.

Lined writing area for notes.



Connect with us on:

 facebook.com/CenturionSystems

 YouTube.com/CenturionSystems

 Twitter@askCenturion

Subscribe to the newsletter: www.CentSys.com/Subscribe

Call Centurion Systems (Pty) Ltd • South Africa
Head Office: +27 11 699 2400

Call Technical Support: +27 11 699 2481
from 07h00 to 18h00 (UTC+2)



DOC12381V100 - VANTAGE INSTALLATION
MANUAL V1 GENERIC-23032015

www.CentSys.com