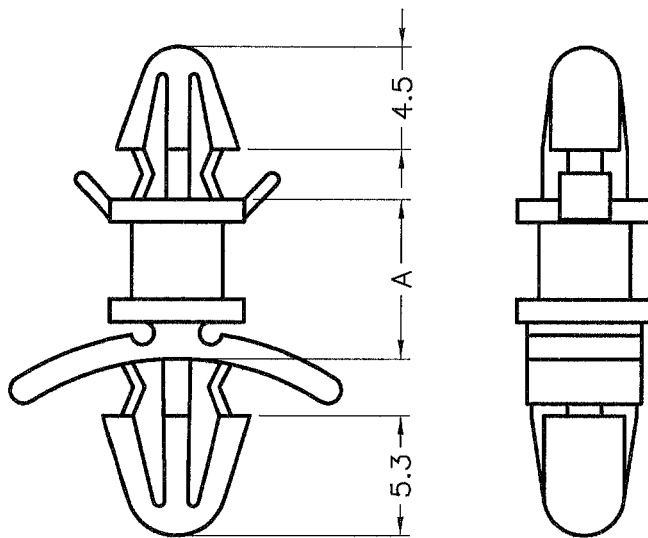


DIM.	TOL
5mm DOWN	±0.2
5~20mm	±0.3
20~40mm	±0.4
40~60mm	±0.5
60~100mm	±0.8
100mm UP	±1.0

REVISIONS			
REV	DESCRIPTION	DATE	BY

HOLE IN P.C.B $\phi 4.0$
P.C.B THICKNESS 1.6



PART NO.	A
LCBS-4	4.0
LCBS-5	5.0
LCBS-6	6.35
LCBS-7	7.0
LCBS-9	9.2
LCBS-10	10.0
LCBS-12	12.5
LCBS-15	15.7
LCBS-19	19.0
LCBS-20	20.0
LCBS-22	22.0
LCBS-25	25.4
LCBS-28	28.6
LCBS-30	30.0
LCBS-35	35.0
LCBS-38	38.0
LCBS-45	45.0

HOLE IN CHASSIS $\phi 4.8$
CHASSIS THICKNESS 0.8~2.2

NOTE: All measurement does not include gate which raises under 0.3mm.



<p>康揚企業股份有限公司 KANG YANG HARDWARE ENTERPRISE CO., LTD. 康揚塑膠(東莞)有限公司 KANG YANG PLASTIC(DONG GUAN) CO., LTD. 康哲電腦配件(吳江)有限公司 KANG CHE COMPUTER COMPONENTS(WUJIANG) CO., LTD.</p>	TITLE SPACER SUPPORT		SPEC. DWG.	
	MATERIAL NYLON 66 UL94V-2		DATE 2001.11.08	
	FINISH		DRAWN AMY	
	COLOR NATURAL		CHECK 	
PART NUMBER SEE ABOVE		DRAWING NUMBER LCBS-H		UNLESS OTHERWISE SPECIFIED TOLERANCE SEE ABOVE
SIZE A4	SCALE NONE	UNIT mm	REV A	APPROVED <i>Kang</i>