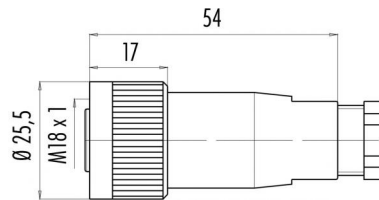


Product Area	Female cable connector M 18 connectors	serie 714	Pole Article number	4 09 0440 10 04
--------------	-------------------------------------------	-----------	---------------------	--------------------

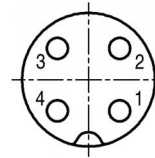
illustration



scale drawing



Contact Arrangement



	X	Y
1	3,18	-3,18
2	3,18	3,18
3	-3,18	3,18
4	-3,18	-3,18

You can find the item description and assembly instruction on the next page.

Technical data

Common values

Connector Design	Female cable connector
Connector locking system	Screw-locking
Termination	screw
Wire gauge (mm)	1,50 mm ²
Wire gauge (AWG)	16
Max. Cable outlet	6,5 - 8 mm
Upper temperature	+85 °C
Lower temperature	-25 °C

Electrical values

Rated voltage	250 V
Rated impulse voltage	4000 V
Pollution degree	3
Overvoltage category	III
Material group	III
Rated current (40°C)	16 A
Volume resistivity	≤ 8 mΩ
EMV compliance	-
Degree of protection	IP 67
Mechanical operation	> 50 mating cycles

Material

Material of contact	CuZn (brass)
Contact plating	CuSnZn (Optalloy)
Material of contact body	PA (UL 94 V-0), PBT (UL 94 V-0)
Material of housing	PA (UL 94 V-0), PBT (UL 94 V-0)

Cable data

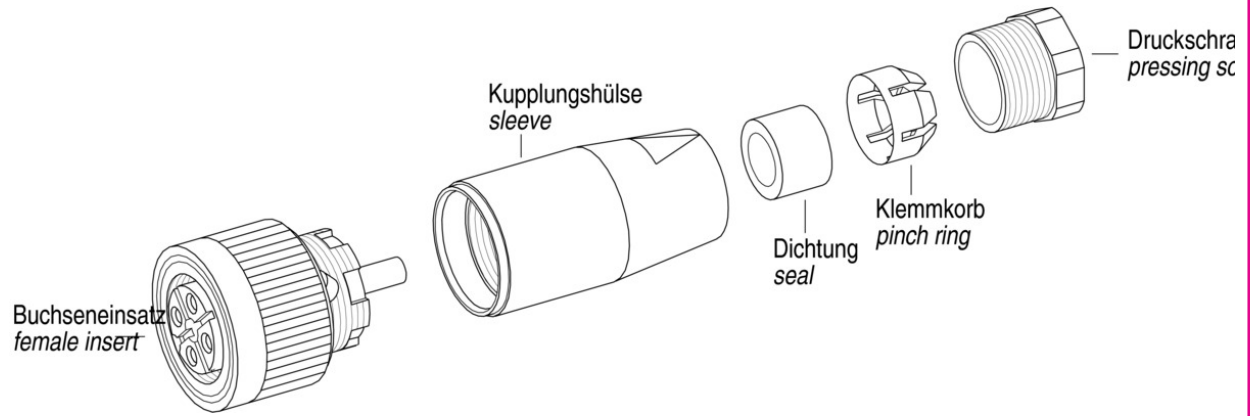
material housing	-
insulation single lead	-
single lead structure	-
conductor resistance	-
bending radius cable fixed	-
bending radius cable movable	-

Cabel outlet: 6,5 - 8 mm, contacts: 4, female
cabel connector



Product Area	Female cable connector M 18 connectors	serie 714	Pole Article number	4 09 0440 10 04
--------------	-------------------------------------------	-----------	---------------------	--------------------

Item description



Installation instructions / Mounting cutout

