

BLF051SURC-E-x-PHYPER RED

BLF051MGC-x-PMEGA GREEN

BLF051SYC-x-P SUPER BRIGHT YELLOW

### Features

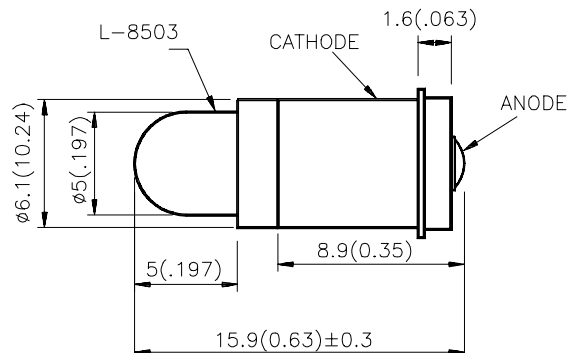
- BUILT-IN CURRENT LIMITING RESISTOR FOR DIRECT APPLICATION OF DIFFERENT ACROSS CURRENT.
- LONG LIFE.
- LOW CURRENT, POWER SAVINGS.
- LOW MAINTENANCE.
- DIFFERENT COLOR AVAILABLE.
- SOLID STATE, HIGH VIBRATION RESISTANT.

### Description

The Hyper Red source color devices are made with DH InGaAlP on GaAs substrate Light Emitting Diode.

The Mega Green and Super Bright Yellow source color devices are made with DH InGaAlP on GaAs substrate Light Emitting Diode.

### Package Dimensions



#### Notes:

1. All dimensions are in millimeters (inches).
2. Tolerance is  $\pm 0.25(0.01")$  unless otherwise noted.
3. Lead spacing is measured where the lead emerge package.
4. Specifications are subject to change without notice.

## Selection Guide

Part No.	Dice	Lens Type	Iv (mcd) V=6V V=12V, V=28V		Viewing Angle
			Min.	Typ.	θ1/2
BLF051SURC-E-6V-P	HYPER RED (InGaAlP)	WATER CLEAR	600	1200	30°
BLF051SURC-E-12V-P		WATER CLEAR	600	1000	30°
BLF051SURC-E-28V-P		WATER CLEAR	650	1200	30°
BLF051MGC-6V-P	MEGA GREEN (InGaAlP)	WATER CLEAR	150	300	30°
BLF051MGC-12V-P		WATER CLEAR	150	300	30°
BLF051MGC-28V-P		WATER CLEAR	110	220	30°
BLF051SYC-6V-P	SUPER BRIGHT YELLOW (InGaAlP)	WATER CLEAR	200	400	30°
BLF051SYC-12V-P		WATER CLEAR	200	400	30°
BLF051SYC-28V-P		WATER CLEAR	110	230	30°

Note:

1. θ1/2 is the angle from optical centerline where the luminous intensity is 1/2 the optical centerline value.

## Electrical / Optical Characteristics at T<sub>A</sub>=25°C

Symbol	Parameter	Device	Typ.	Max.	Units	Test Conditions
λ <sub>peak</sub>	Peak Wavelength	Hyper Red Mega Green Super Bright Yellow	640 574 590		nm	VF=6V,12V,28V
λ <sub>D</sub>	Dominate Wavelength	Hyper Red Mega Green Super Bright Yellow	630 568 588		nm	VF=6V,12V,28V
Δλ <sub>1/2</sub>	Spectral Line Halfwidth	Hyper Red Mega Green Super Bright Yellow	25 26 28		nm	VF=6V,12V,28V
I <sub>F</sub>	Forward Current	Hyper Red Mega Green Super Bright Yellow	26 23 25.8		mA	VF=6V
I <sub>F</sub>	Forward Current	Hyper Red Mega Green Super Bright Yellow	21.6 21 18.5		mA	VF=12V
I <sub>F</sub>	Forward Current	Hyper Red Mega Green Super Bright Yellow	10.9 9.1 8.9		mA	VF=28V
I <sub>R</sub>	Reverse Current	All		10	uA	VR = 5V

## Absolute Maximum Ratings at $T_A=25^\circ\text{C}$

Parameter	Hyper Red	Mega Green	Super Bright Yellow	Units
Power dissipation for 6V	160	150	150	mW
Power dissipation for 12V	270	250	300	mW
Power dissipation for 28V	350	350	350	mW
DC Forward Voltage for 6V	7	7	7	V
DC Forward Voltage for 12V	14	14	14	V
DC Forward Voltage for 28V	32	32	32	V
Reverse Voltage	5	5	5	V
Operating Temperature	-40°C To +70°C			
Storage Temperature	-40°C To +85°C			