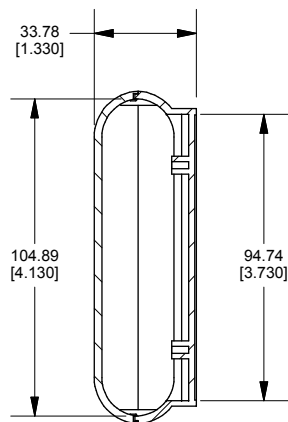
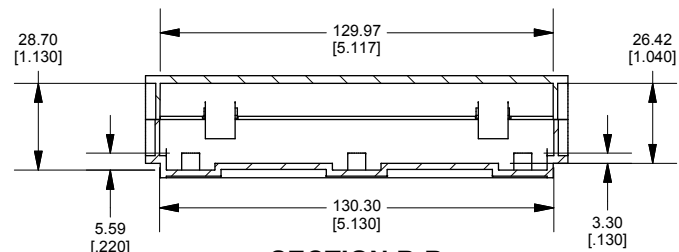
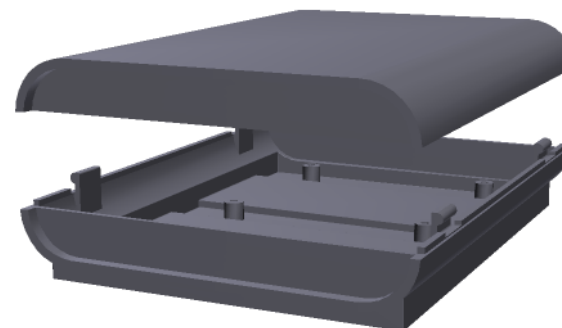


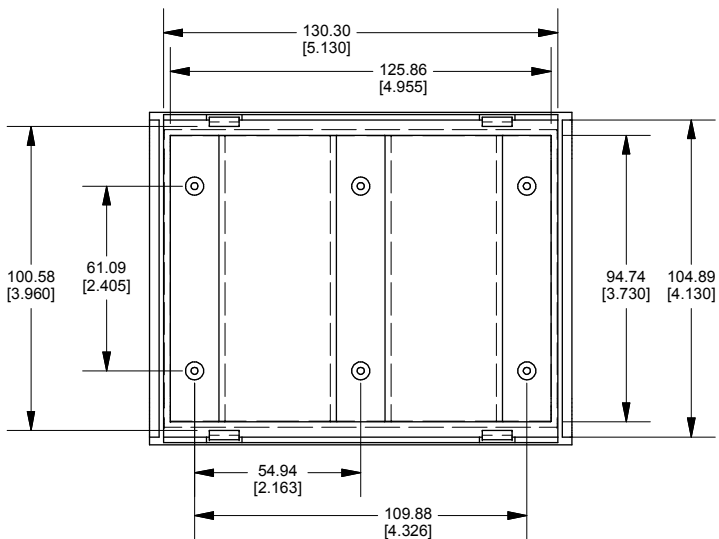
**ASSEMBLY - TOP VIEW**



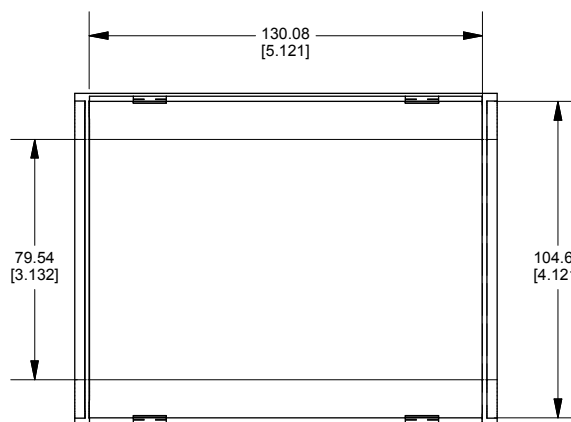
**SECTION A-A  
END VIEW OF ASSEMBLY**



**SECTION B-B  
SIDE VIEW OF ASSEMBLY**



**BOX - INSIDE VIEW**



**LID - INSIDE VIEW**

Enclosures can be Factory Modified ( Milling, Drilling, Printing etc. )  
Contact Factory [mjm@hammondmfg.com](mailto:mjm@hammondmfg.com) for quotes  
Solid models of this enclosure available in STEP or IGES.

NOTES	
Purchased assembly includes Snap Fit Box & Lid	
1597C	
PART NUMBERS	
GREY ABS	1597CGY
BLACK ABS	1597CBK



# Mouser Electronics

Authorized Distributor

Click to View Pricing, Inventory, Delivery & Lifecycle Information:

[Hammond:](#)

[1597CGY](#) [1597CBK](#)