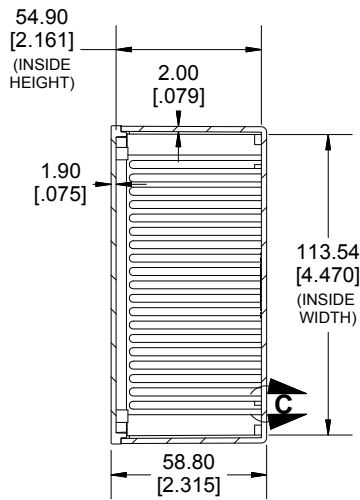
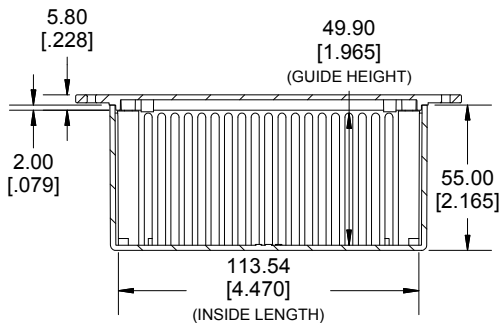
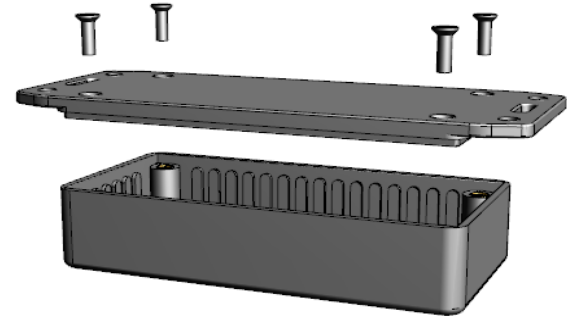


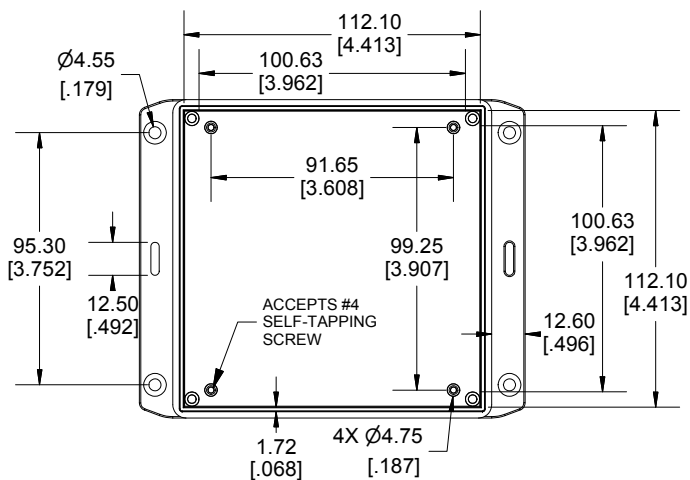
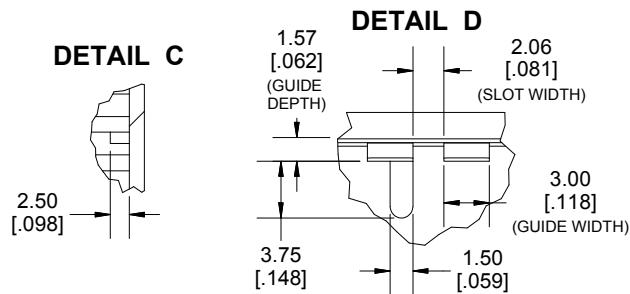
**TOP VIEW**



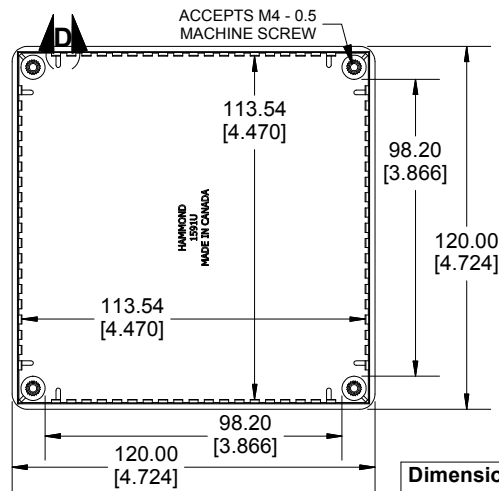
**SECTION A-A**



**SECTION B-B  
SIDE VIEW**



**INSIDE LID**



**INSIDE BOX**

Dimensions:  
mm  
[inches]

Enclosures can be Factory Modified ( Milling, Drilling, Printing etc.)  
Contact Factory [mjm@hammondmfg.com](mailto:mjm@hammondmfg.com) for quotes  
Solid models of this enclosure available in STEP or IGES.

<b>NOTE</b>	
Purchased assembly includes box, lid, 4 cover screws, and pre installed brass inserts.	
Enclosure made from FRABS	
<b>Recommended Torque: 42-57 ozf.in (30-40 cN.m)</b>	

<b>PART NUMBERS</b>	
<b>1591U Enclosure</b>	
Flame Retardant ABS Black	1591UFLBK
Flame Retardant ABS Grey	1591UFLGY
<b>Accessories</b>	
Plated Cover screw	1591MS100 (Silver)
M3 - 0.5 X 10mm (100Pkg)	1591MS100BK (Black)
P.C Board screws for Lid	1593ATS50 (50Pkg)
#4 X 1/4" (6.4mm) Self-Tapping	1593ATS100 (100Pkg)
PC Board Card Adapters	1591Z6 (6Pkg)
	1591Z50 (50 Pkg)
	1591Z100 (100Pkg)
Nylon Belt / Pocket clip	1599CLIP (Black)
	1599CLIPGY (Grey)

**HAMMOND  
MANUFACTURING®**

**1591UFL**

[www.hammondmfg.com](http://www.hammondmfg.com)