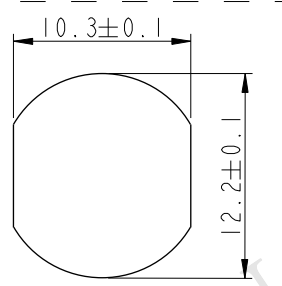
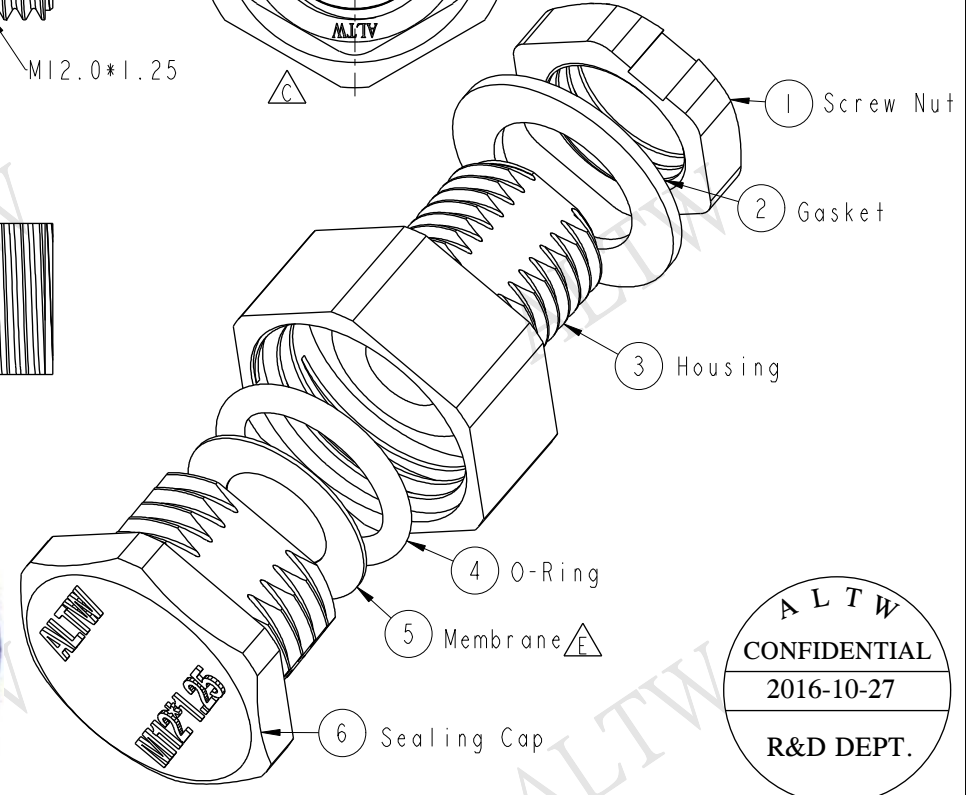
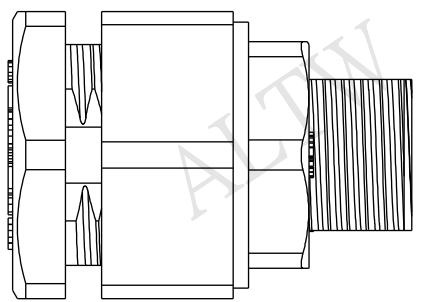
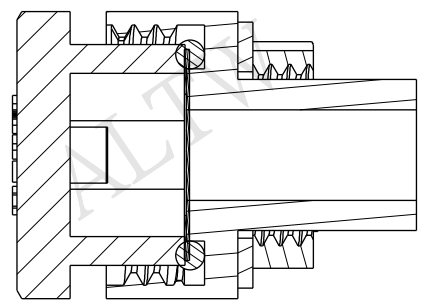
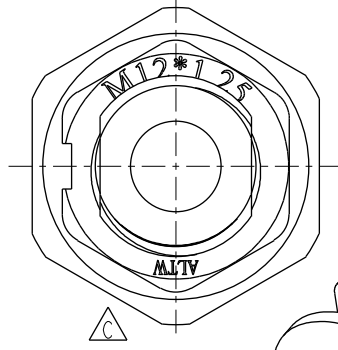
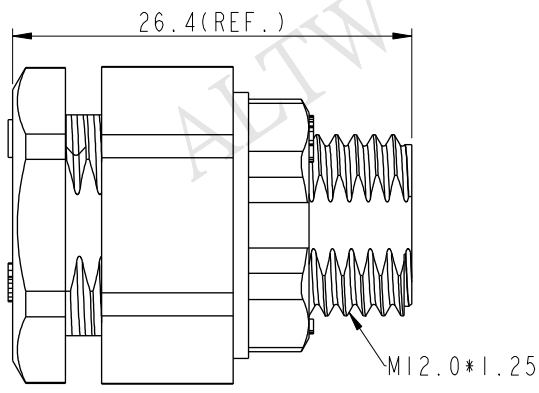
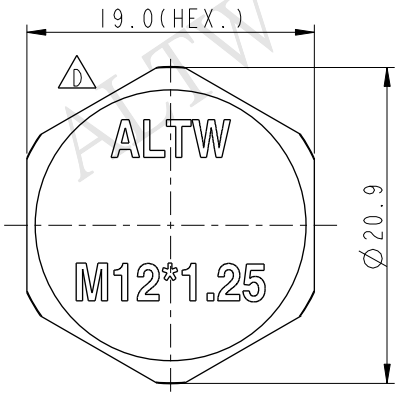
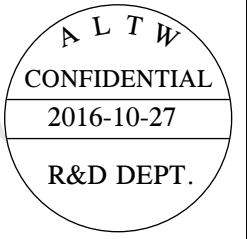


REV.	ECN NO.	DATE	SIGN	DESCRIPTION
C	LEN1510683	2015/01/19	Ruru	Change Logo
D	LEN1681332	2016/08/18	Ruru	Change Logo
E	LEN16B0003	2016/10/27	Vicky	Update Note



- Note:
- \*  $\text{Ⓞ}$  Important Dimension
  - \* Waterproof Rate: IP67
  - \* Nut: Nylon 66, Black
  - \* Gasket: EPDM, Black
  - \* Housing: PBT+PC, Black
  - \* O-Ring: EPDM, Black
  - \* Membrane: PTFE, White
  - \* Sealing Cap: PBT+PC, Black
  - \* Maximum Panel Thickness: 6.5mm
  - \* Air permeability: 12sec/100cm<sup>3</sup>
  - \* Water entry pressure: 100kPa



UNIT: mm	$\text{Ⓞ}$	$\text{Ⓞ}$
TOLERANCE		
.X	±0.25	
.XX	±0.1	
.XXX	±0.05	
ANGLES	±1°	

TITLE M12 Vent			
SCALE 2:1	SIZE A4	SHEET 1 OF 1	
REV. E	WC-REV. A.5	$\text{Ⓞ}$ : Inspection item	

**Amphenol LTW**  
安費諾亮泰企業股份有限公司

ITEM NO VENT-BD001	DRAWN BY Vicky	DATE 2016-10-27
DWG NO VENT-BD001	CHECKED BY Rita	DATE 2016-10-27
CUSTOMER ALTW	APPROVED BY Max	DATE 2016-10-27

THIS DOCUMENT IS SUBJECT TO CHANGE WITHOUT NOTICE. IT IS CONFIDENTIAL AND A PROPERTY OF Amphenol LTW. DISCLOSURE TO THIRD PARTY HAS TO BE AUTHORIZED BY Amphenol LTW.