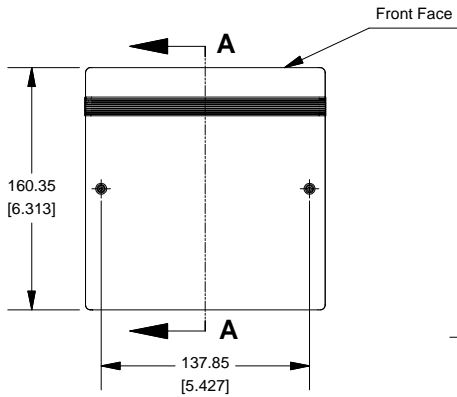
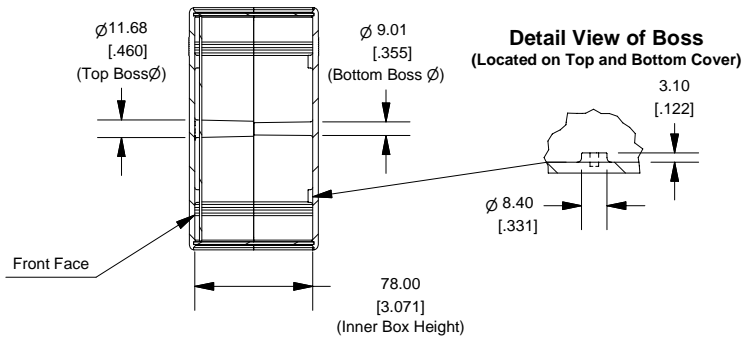


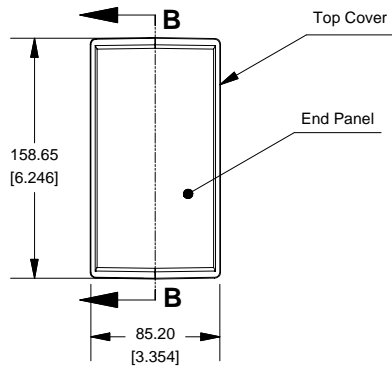
**Bottom View of Assembly**



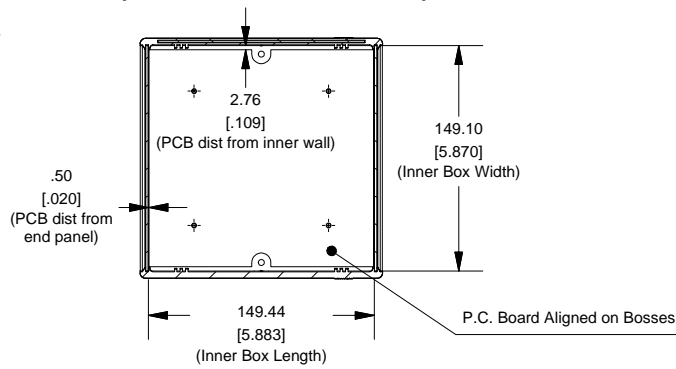
**SECTION A-A  
(Side View Inside Assembly)**



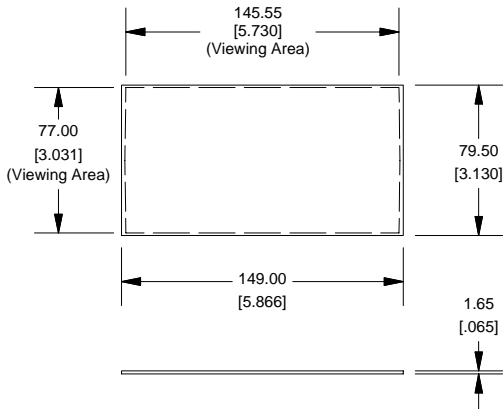
**End View of Assembly**



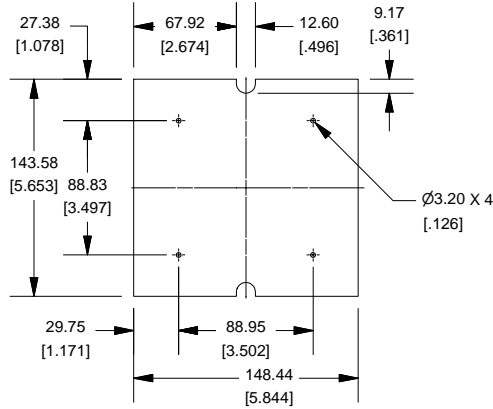
**SECTION B-B  
(Inside of Bottom Cover)**



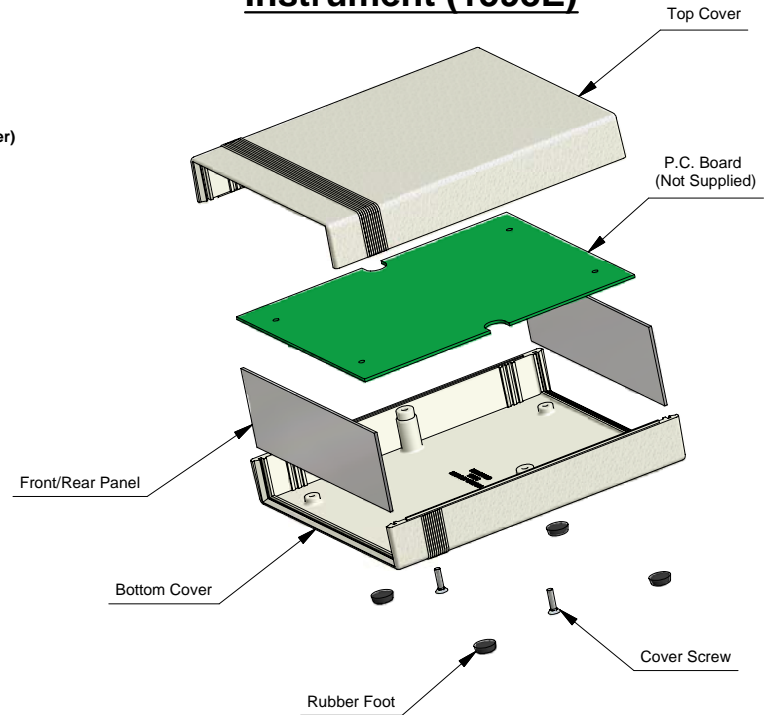
**Front/Rear Panel  
(Dashed Line Indicates Viewing Area)**



**Maximum P.C. Board Size**



**Instrument (1598E)**



**NOTE**

Purchased assembly includes top and bottom cover, front and end aluminum panels (type 5005H32, SPV coating on one side), 2 cover screws, and 4 rubber feet.

**PART NUMBERS**

1598E - Polystyrene (UL94-HB)		
Grey Enclosure with Aluminum Panels 1598ESGY	Grey Enclosure with Black Plastic Panels 1598EGYPBK	Black EM/RFI Shielded --
1598E - Flame Retardent ABS (UL94-VO)		
Black Enclosure with Aluminum Panels 1598EBK	Grey Enclosure with Aluminum Panels 1598EGY	Black EM/RFI Shielded 1598REBK
Accessories		
Black Plastic Panels (Optional) 1598PLEBK		Rubber Feet (Pkg 24) 1421T3
For 1598 Polystyrene Cover Screws (Pkg 100) [#4 x 5/8" (15.9mm)] 1598TS100	For 1598 FR-ABS Cover Screws (Pkg 100) [M3 - 0.5" x 10mm] 1591MS100	Both Models P.C. Board Screws (Pkg 100) [#6 x 1/4" (6.4mm)] 1598ATS100

