

LIGHT COMPLET

WATERTIGHT JUNCTION BOXES WITH WIRED POWER SOCKETS

Description: WATERTIGHT JUNCTION BOX EL161 162x116x76 WITH PLAIN SIDES WITH ASSEMBLED AND WIRED POWER SOCKETS Reference: 41045

Characteristics:

Product type:	Watertight boxes with assembled and wired power sockets - opaque cover and plain sides
Exterior dimensions (Height x Width x Depth):	162x116x76 mm
Dimensions of the flush-fit gap (HxWxD):	-
Number of modules:	-
Installation:	Surface
Color:	RAL 7035 grey
Window:	Opaque cover
Weight (Kg):	0,39
Cable entry:	-
Components:	1 socket 3P+N+E 16A - 1 IP44 Schuko-type socket IP44 2+E 16A
Materials:	Halogen-free plastic materials. Base and cover: Shock-proof PS

Technical data:

Degree of protection:	IP44
Resistance to impact:	IK07
Glow wire resistance:	650 °C
Ball pressure test:	70 °C
Ambient temperature range:	-25 °C / +40 °C
Maximum operating voltage:	1000 V AC / 1500 V DC

Certificates and standards:

Directive:	2014/35/EU
Standards:	IEC 60998-2-5

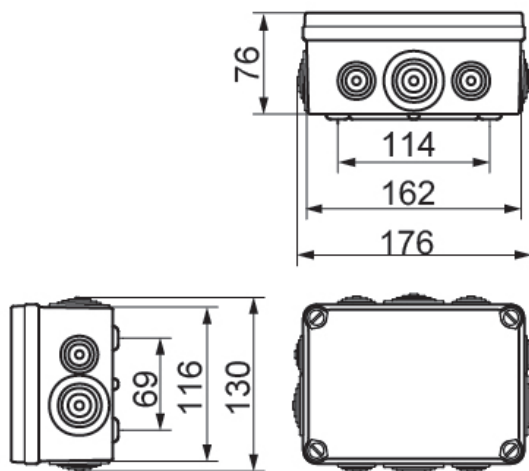


LIGHT COMPLET

WATERTIGHT JUNCTION BOXES WITH WIRED POWER SOCKETS

Description: WATERTIGHT JUNCTION BOX EL161 162x116x76 WITH PLAIN SIDES WITH ASSEMBLED AND WIRED POWER SOCKETS

Reference: 41045



Exterior dimensions (Height x Width x Depth):

162x116x76 mm

Dimensions of the flush-fit gap (Height x Width x Depth):

-

Sustainability:

RoHS - REACH

Product end of life:

It does not require specific recycling operations.

Supply:

The boxes are supplied individually, shrink-wrapped and in multiple cardboard packaging, according to minimum packaging units.

Packaging units: 1