

Specifications

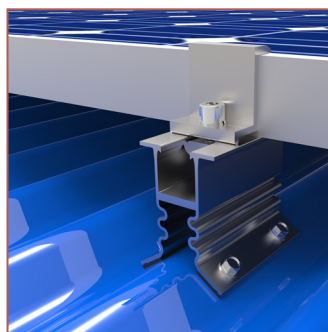
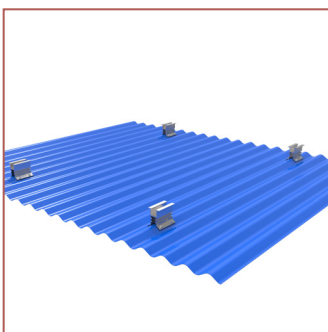
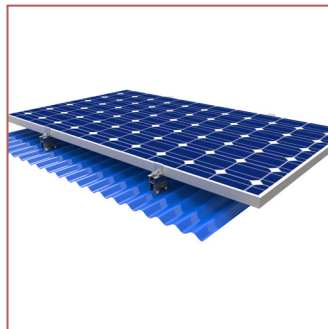
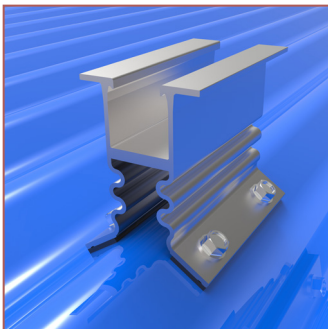
- ✓ Aluminium 6005 T5, EPDM
- ✓ Anodized > 13 µm

Features

- ✓ Fast and easy install
- ✓ Pre-punched holes make install easy
- ✓ Good ventilation clearance
- ✓ Advanced screw technology
 - Bi-Metal
 - Sharp Carbon steel tip for easy and skid free piercing
 - Stainless steel head for anti-corrosive durability
 - High torque strip value
 - High pull out value per screw
 - No swarf (metal debris)
- ✓ Durable, non-corrosive materials
- ✓ Double gasket for waterproofing, EPDM layer and elastomer washer
- ✓ Compatible grounding washer, mid- and end clamps

Application

Popular
Corrugated
Sheets



Dimensions



H 70mm x L 80mm x
W 52mm

101g (including stainless steel bolts and nuts)