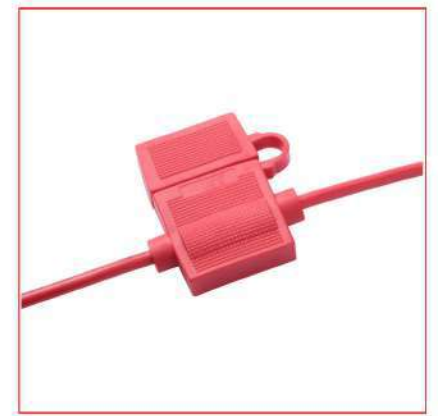
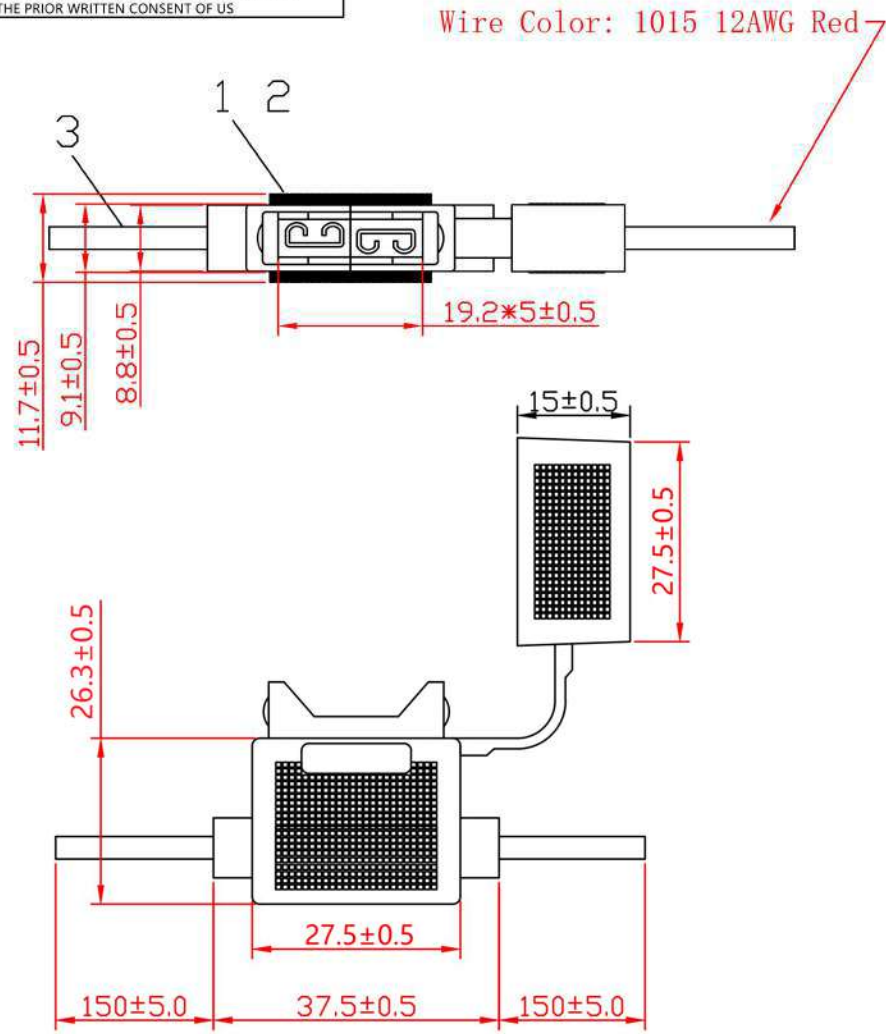


ALL INFORMATION CONTAINED OR DISCLOSED BY THIS DOCUMENT IS CONSIDERED CONFIDENTIAL AND PROPRIETARY BY TIANRUI ELECTRONICS CO.,LTD. ALL DESIGN, MANUFACTURING, USE, REPRODUCTION, AND ALL SALES RIGHTS, ARE EXPRESSLY RESERVED BY AND TO TIANRUI ELECTRONICS CO.,LTD. AND COMMUNICATION OF THIS INFORMATION TO OTHERS IS PROHIBITED WITHOUT THE PRIOR WRITTEN CONSENT OF US

| DRAWING REVISIONS | | | | |
|-------------------|-------------|------------------|----------|------|
| REV | S/N | DESCRIPTION | APPROVED | DATE |
| A | 20080210-04 | ORIGINAL RELEASE | | |



NOTES: UNLESS OTHERWISE SPECIFIED.

1. Applicable: For ATO-Fuse.
2. Electrical: Rated for current up to 30A.
3. Insulating body: PVC.
4. Contact: Brass with Tin plated.
5. With other wire sizes or lengths available on special order.
6. Range of wire gauge #10-#22.
7. Splashproof, IP65 rated.

| 3 | W-MIN-N | Wire | 2 | 1015 12AWG | Red |
|------|----------|------------------|-----|------------|------------|
| 2 | TC-MIN-N | TERMINAL CONTACT | 1 | Brass | Tin Plated |
| 1 | FH-MIN-N | Body | 1 | PVC | Black |
| ITEM | P/N | DESCRIPTION | QTY | Material | REMARKS |

| CQ211C MOD | | | | | |
|---|------------|-------|----------------------------|-----------|----------|
| RoHS COMPLIANT UNLESS OTHERWISE STATED | | | FUSEHOLDER FOR ATO FUSE | | Customer |
| WALL THICKNESS | MM | | | | |
| LINEAR | .XX | ±0.15 | | | |
| | .XXX | ±0.05 | | | |
| ANGULAR | ±0.5 DEG | | DSGN | Tommy Qiu | 07-12-08 |
| DRAFT ANGLE/SIDE | 0.5 *MAX | | DFTS | Tommy Qiu | 07-12-08 |
| BURR & FLASH | 0.10 MAX | | SCALE | | free |
| BREAK CORNERS | 0.20 R.MAX | | SHEET | | 1 OF 1 |
| PARTING LINE MISMATCH | 0.05 MAX | | CHKD | | |
| | | | APPD | | |
| | | | PART NO. | | REV |
| | | | SL-709IR | | A |

F
E
D
C
B
A

F
E
D
C
B
A

1 2 3 4 5 6 7 8