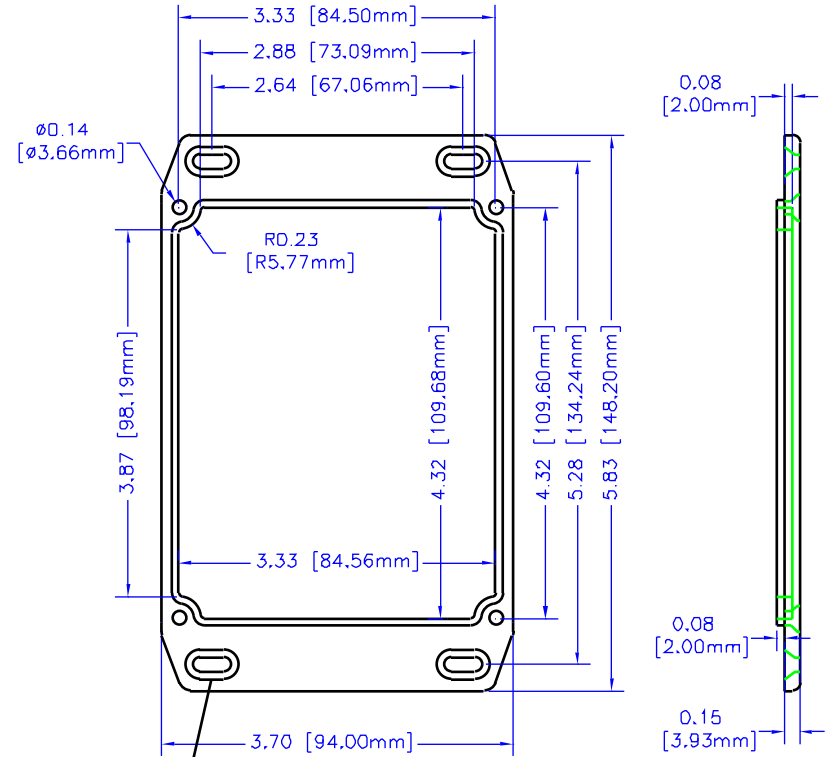
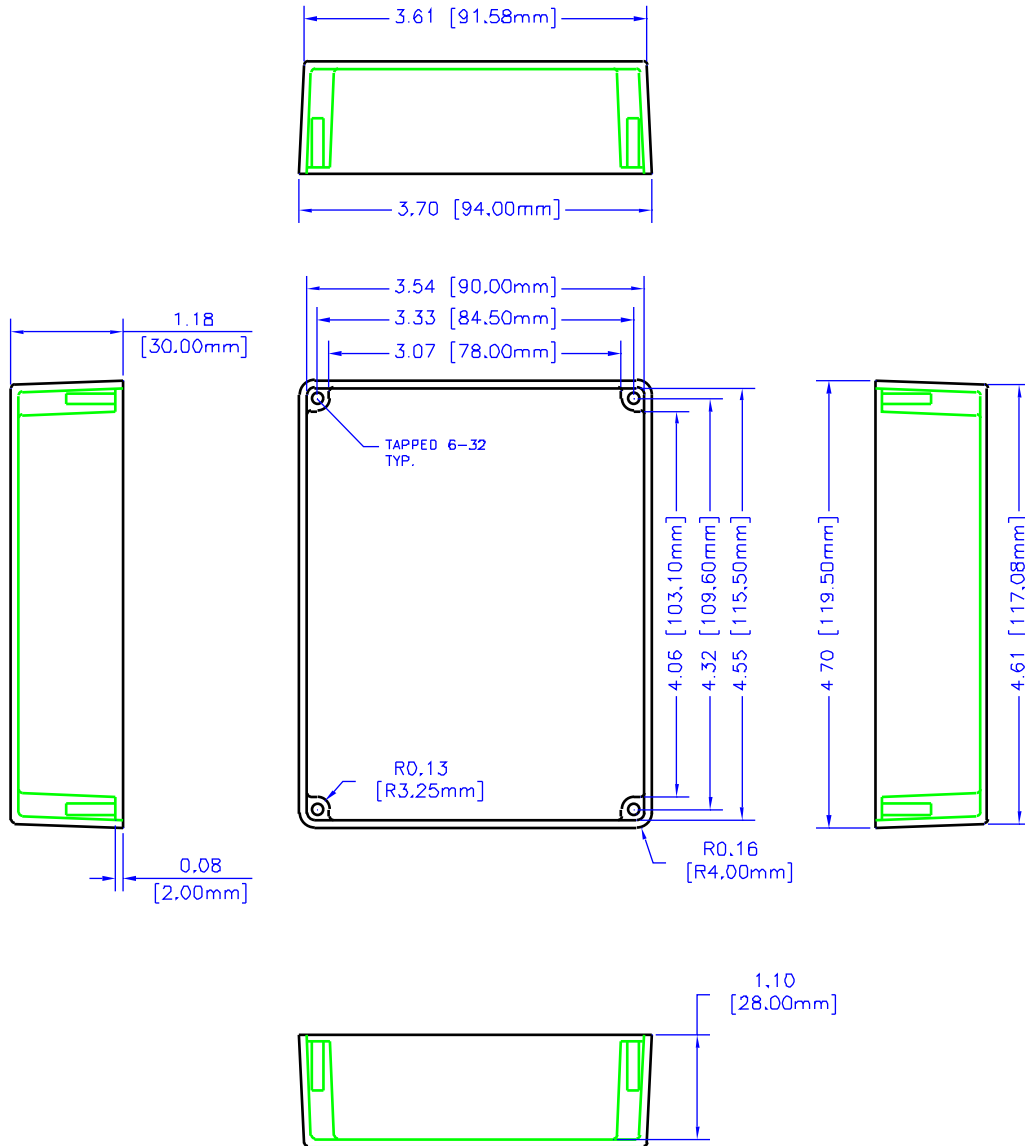


NOTES

MATERIAL DIE CAST ALUMINUM ALLOY BOX AND LID, COMES WITH FOUR 6-32 X 1/2" NICKEL PLATED MACHINE SCREWS,

OPTIONS (WATER RESISTANT) 1590WBBFL, RUBBER LIKE SILICONE IS APPLIED AROUND THE PERIMETER OF THE LID, (PAINTED) "BK" SUFFIX BLACK, "GY" SUFFIX GRAY, POWDER TEXTURED PAINT, FOR (NON-FLANGED LID) PN: 1590BB, FOR (FLANGED BOX) PN: 1590BBF



SLOT SIZE IS 0.40" x 0.15" (3.8 x 10.2)

UNLESS OTHERWISE SPECIFIED DIMENSIONS ARE IN INCHES
 X +/- .1
 XX +/- .02
 XXX +/- .015
 DITS +/- .005
 ANGLES +/- .5 DEG

NOTE:
 HAMILTONS ENGINE PROPRIETARY RIGHTS TO THE MATERIAL ON THIS DRAWING, IT IS INTENDED TO BE USED AS A REFERENCE FOR ENGINEERING INFORMATION ONLY. THIS INFORMATION MAY NOT BE USED TO MANUFACTURE PRODUCTS WITHOUT WRITTEN PERMISSION FROM HAMILTONS MANUFACTURING



WEB: WWW.HAMMONDMFG.COM

TITLE
 HAMMOND 1590 SERIES DIE CAST ALUMINUM

DRAWN BY MJM DATE 07/12/01

SCALE PAGE 1 OF 1

PART NUMBER
 1590BBFL