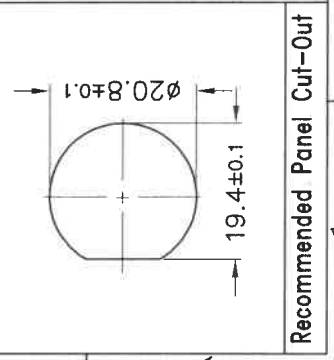
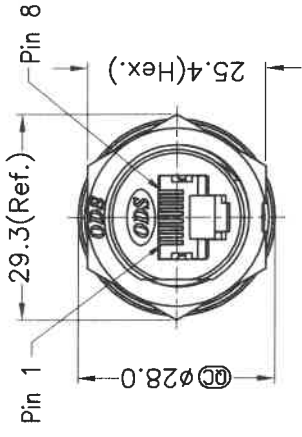
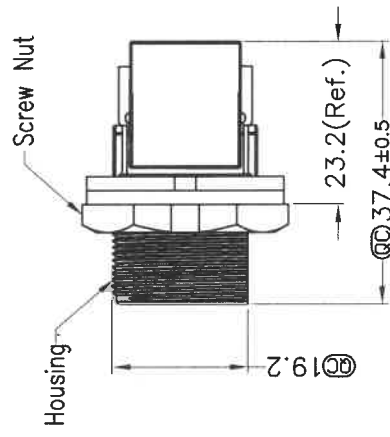
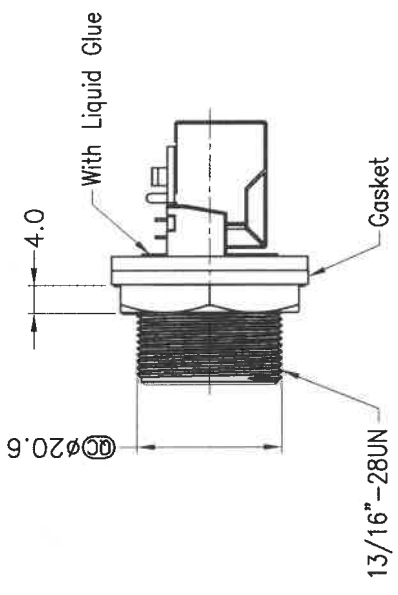
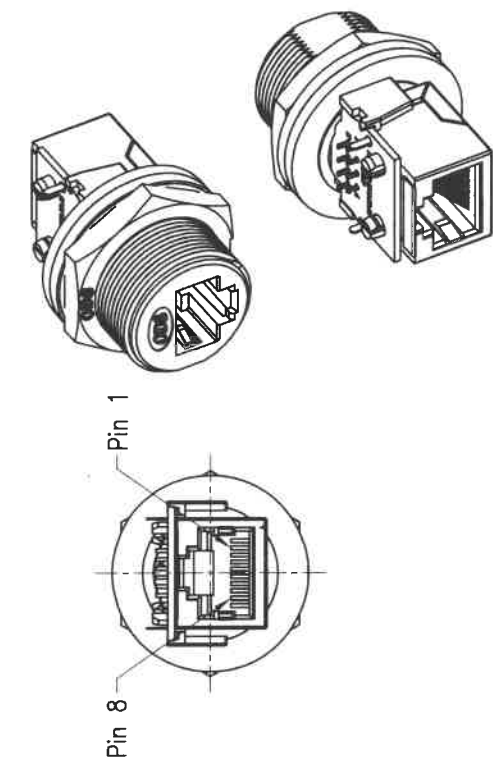


REV. A	ECN NO.	DATE 2018/05/28	SIGN	DESCRIPTION
				Change Rev 03 To Issue Rev A.

XY-RPLPJ08G5E-SCJ8003



ODS
CONFIDENTIAL
2018.05.28
R&D DEPT.

ODS
DCC DEPT
CONFIDENTIAL
2018.06.19
ISSUED

Note:

1. Waterproof Rate: IP68
(No Ingress Of Dust/ Protected Against Harmful Effects Caused In 1 Meter Water Within 24 Hour)
2. Temperature Range: -40°C to +105°C
3. Max. Panel Thickness 4.0mm (Without Cap Chain)
4. Material:

- Housing: Nylon, Black
- Pin: Copper Alloy, Gold Plated
- Screw Nut: Nylon, Black
- Gasket: Rubber

COMMUNICA (PTY) LTD
A WORLD OF ELECTRONICS
Reg. No. 1979/003717/07

■ **HEAD OFFICE**
Tel (012) 657-3500
Fax (012) 657-3550
E-Mail: sales@communicaco.za
Web: www.communicaco.za

■ **PRETORIA**
Tel (012) 328-7008
Fax (012) 328-7018

■ **CAPE TOWN**
Tel (021) 447-0948
Fax (021) 447-0959

份有限公司

EW

PJ08G5E-SCJ8003	DATE 2018/05/28
	DATE 2018/05/28
	DATE 2018/05/28