

ACCESSORIES



CENTURION transmitters
Available in one-, two- and four-button variants. Incorporates ultra-secure code-hopping encryption (two four-button transmitters are included with each SDO4 kit)



SMARTGUARDair keypad
Cost-effective and versatile wired and wireless keypads, allowing access to pedestrians



CENTURION Photon SMART Infrared beams
Wireless infrared beams. Always recommended on any automated installation



Wireless Wall Switch
The four-button Wireless Wall Switch can operate the door, turn on the light and activate Holiday Lockout all without running any unsightly wires (Only included with T12 model)



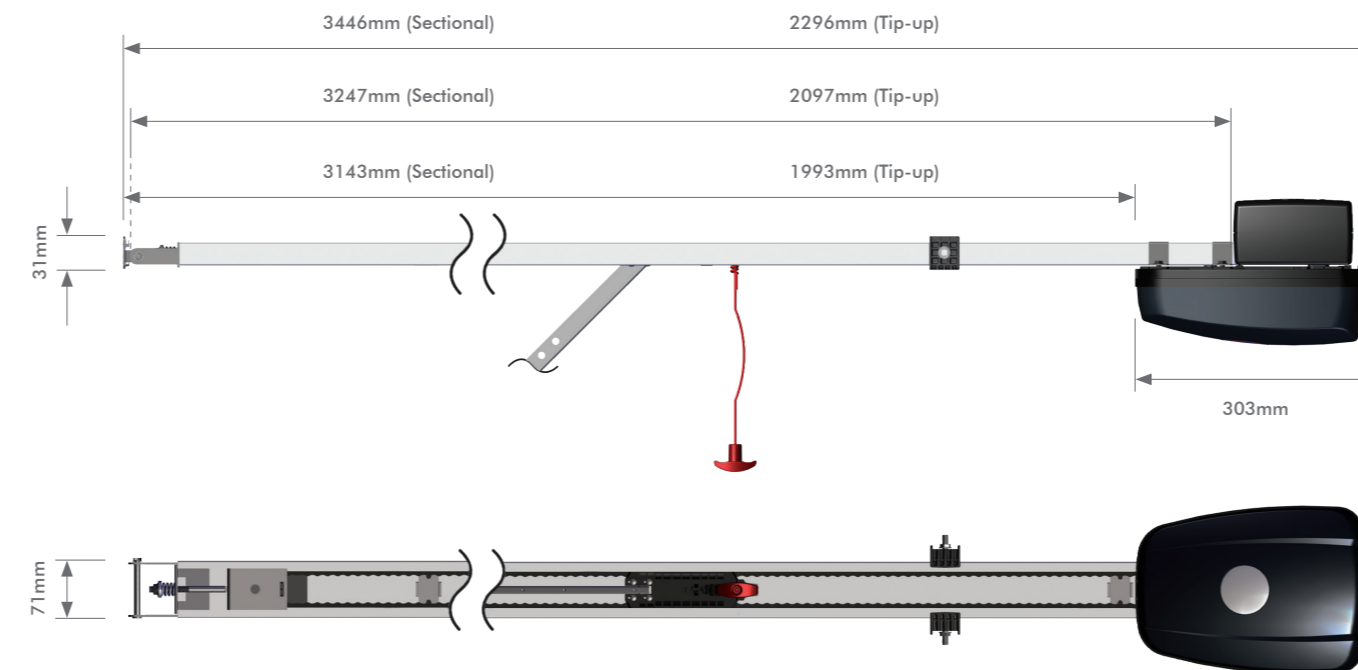
WiZo-Link module
Wireless input-output module using mesh network technology creating fully-wireless connections between devices

TECHNICAL SPECIFICATIONS

Technical Data	T10	T12
Input voltage	230V AC +/-10% @ 50/60Hz ¹	
Motor voltage ¹	24V DC	
Motor power supply - rated ²	80W DC	100W DC
Motor supply	Battery supply 2 x 3.4Ah 12V DC	
Maximum door width	6.5 metres	
Maximum door area	12 Square meters	15 Square meters
Maximum push/pull force	40kgf	50kgf
Maximum lifting capacity	1000N	1200N
Operations in standby mode	Up to 90 dependent on door size, weight, height and duration of power failure / condition of batteries	
Maximum operator travel speed ³	9m/min	
Door travel adjustment	Physical end-stops (Automatic limit set)	
Safety obstruction force system	Built-in menu	
Light	LED 2W	
Autoclose ²	Menu Selectable	
Infrared safety beams	Menu Selectable (Optional but recommended)	
Onboard receiver type	Code-hopping single channel	
Receiver code storage capacity	20x 4-Button Transmitters	
Receiver frequency	433.92Mhz	

- Can operate off a solar supply, consult Centurion Systems for assistance
- Can increase battery capacity for longer standby times
- Speed varies with load

OVERALL DIMENSIONS



**SDO4
SMART**

**GARAGE DOOR
OPERATOR**

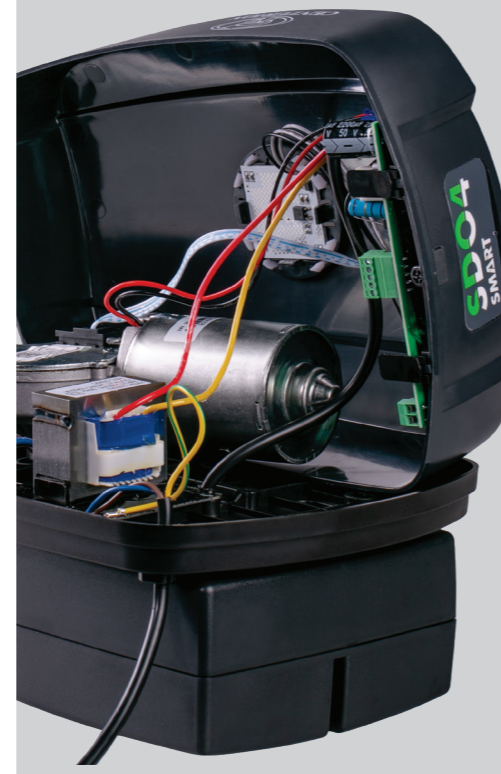
SMART.
The intelligent choice



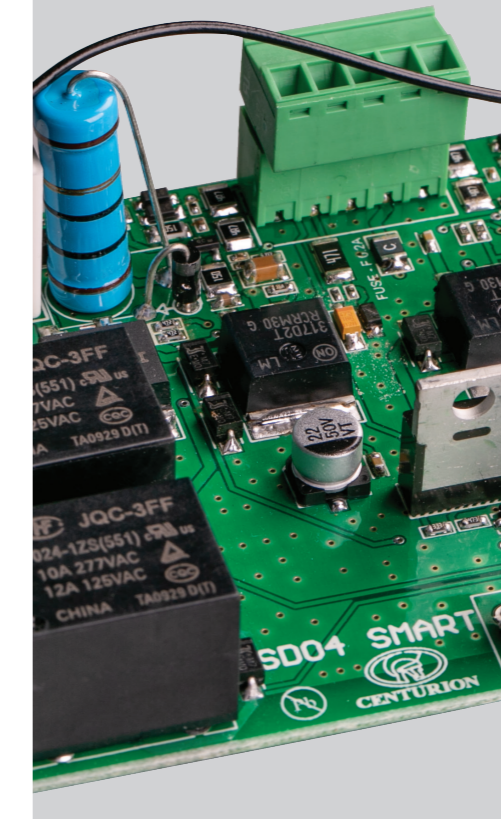
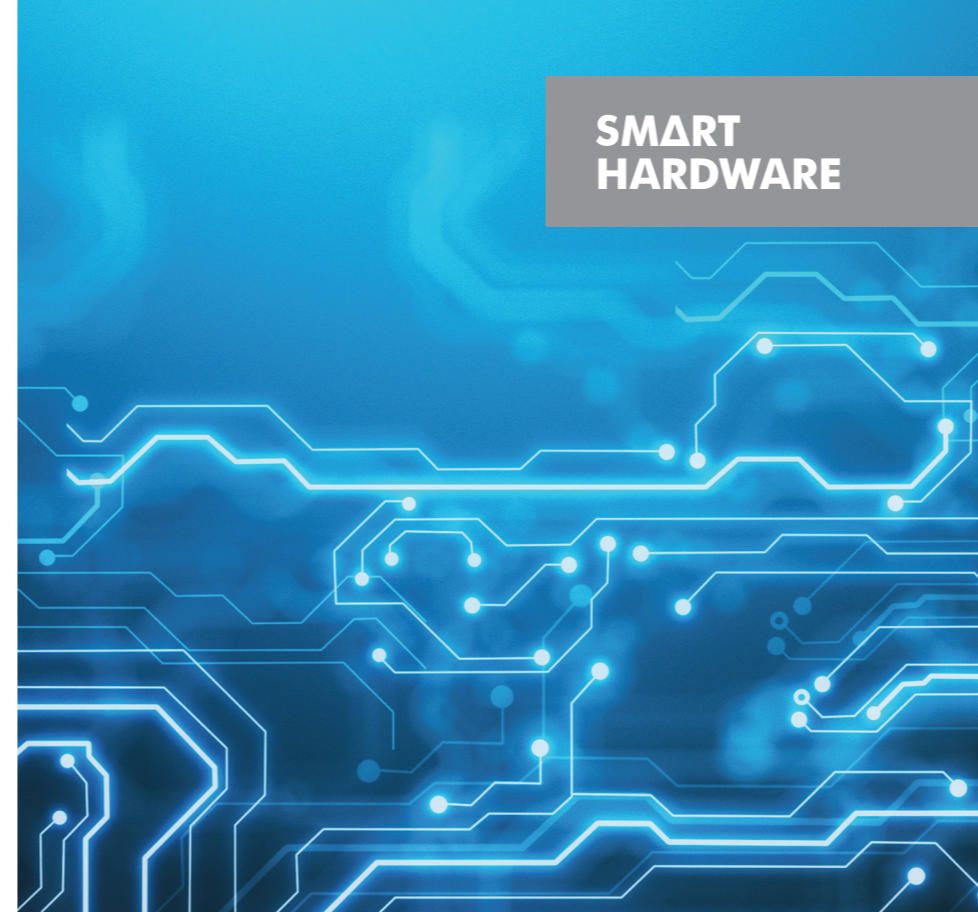
Simply automatic



**SMART ACCESS
TO YOUR HOME**



**SMART
HARDWARE**



**SMART ADVANCED
DIAGNOSTICS**



GET MORE FOR YOUR DOOR WITH THE SDO4 SMART

CENTURION's most innovative garage door motor yet, boasting whisper-quiet operation thanks to its state-of-the-art mechanical design, extended battery life for uninterrupted convenience during power outages and our pioneering – and award-winning – SMART technology for quick and easy setup.

SMART simplicity meets SMART sophistication

- Connecting you to convenience
- Redefining the installation experience
- Making your life easier through SMART technology

Complementing the easiest mechanical installation of any garage door motor, we're giving installers intuitive, hands-free commissioning of the system with our interactive and attractive MyCentsys Pro mobile app:

- Lightning-fast wireless setup of garage door limits and configuration of settings
- Instant access to advanced diagnostics and monitoring of system health
- Intelligent management of remote controls
- Connect to our technical support team directly through the app

MAIN FEATURES

Always-on reliability

You need to be somewhere in a hurry. The power goes out. You're going nowhere. Unless you have the **SDO4 SMART**, that is.

The **SDO4 SMART** comes standard with a reliable battery backup system with extended service life, so you can continue using your garage door even during lengthy power outages. You can even use solar power to charge the system, and the built-in Battery Saver feature will switch off the unit if the battery voltage drops below a certain point, so that the batteries aren't drained completely and potentially damaged.

An SDO4 SMART to suit your door

The **SDO4 SMART** comes in two different models, making it suitable for virtually any size domestic garage door. Choose the T10 for smaller doors up to 12 square metres, or automate your bigger door with the powerful T12 model.

Cutting-edge safety

The **SDO4 SMART** was designed with safety in mind! The built-in anti-crushing circuitry will cause the door to stop and reverse if an obstruction is detected, helping to prevent serious damage or injury.

For added safety, add a pair of Photon SMART infrared beams. They're completely wireless, so it's easier and more cost-effective than ever before to make your garage door completely safe.

Courtesy light control

The **SDO4 SMART**'s on-board light is always at your beck and call. Have it work as a Courtesy Light, bathing your garage in a welcoming glow when the operator is activated, or switch it on and off as needed, using one of the Wireless Wall Switch or remote control buttons. Need to get a wrench from your garage to fix a leaky faucet in the middle of the night? Let the **SDO4 SMART** light the way!

Total security and peace of mind

Holiday Lockout Mode¹ is an on-board security feature that allows you to electronically lock your garage door by pressing one of the Wireless Wall Switch buttons, remote control buttons or through the app, giving you total control of who gets in.

The **SDO4 SMART** has been equipped with an innovative vibration device that will detect interference at the garage door and can be linked to an external alarm system, armed response company and even your phone via a GSM device. This not only helps prevent theft and tampering of the motor itself, but can alert you to potential break-ins.

Using the tie-in mobile app, you can receive push notifications on your phone of the garage door's status, for example when it is opening, giving you even more control and peace of mind.

Reliable DC motor

Our 24V geared DC motor provides enough power to move even the largest door quietly and reliably.

Automatic closing

In conjunction with Safety Beams, if you forget to close your garage door, your **SDO4 SMART** will do it for you – if you've activated the Autoclose feature. Or maybe you're moving stuff out of your garage and need the door to remain open – overriding Autoclose is as easy as pressing a button!

Door Service Monitor

Using adaptive load sensing technology, our Door Service Monitor keeps an eye on the condition of the door installation. The courtesy lamp will flash and a buzzer will sound when your door springs are worn out and need maintenance.

Quickly switch between door types for the ultimate in reliability

The **SDO4 SMART** is suitable for both sectional and tip-up doors. Toggling between the two using the MyCentsys Pro mobile app, automatically and intelligently adapts the run profile to suit the selected door type.

**SDO4
SMART**
SMART.
The intelligent choice.

1. Holiday Lockout only comes into effect when the controller perceives the door as closed.