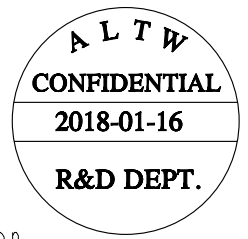
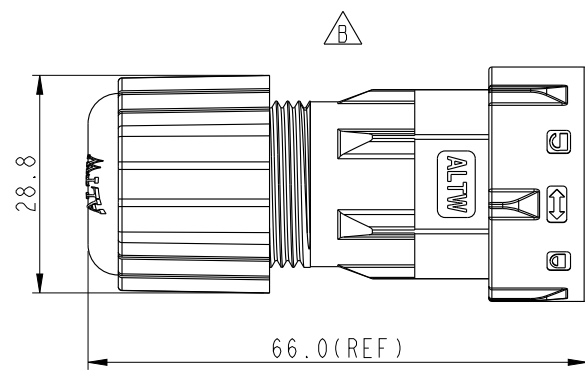
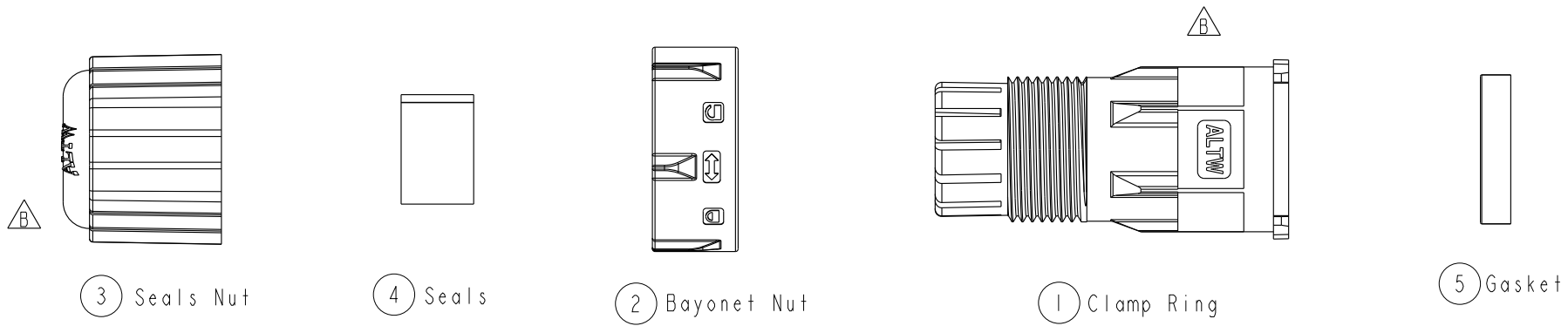


THIS DOCUMENT IS SUBJECT TO CHANGE WITHOUT NOTICE. IT IS CONFIDENTIAL AND A PROPERTY OF AMPHENOL LTW. DISCLOSURE TO THIRD PARTY HAS TO BE AUTHORIZED BY AMPHENOL LTW.

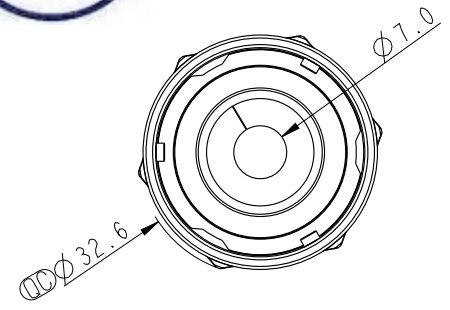
REV.	ECN NO.	DATE	SIGN	DESCRIPTION
A	Initial Release	2012/12/19	Ruru	FB-00BLMA-LL7002 To FB-00BLMA-TL7002
B	LEN14B0042	2014/10/31	Sam	Change Logo.
C	LE31810049	2018-01-16	Lingpeng	Change The Material Of Component



Note:  $\triangle B$

- \*  $\text{\textcircled{C}}$  Important Dimension.
- \* Waterproof Rating: IP67
- \* Cable OD:  $\varnothing 4.5\sim 6.8\text{mm Max.}$
- \* Clamp Ring: Nylon, UL94V-0, Black.
- \* Bayonet Nut: Nylon+GF, UL94V-0, Black.
- \* Sealing Nut: Nylon+GF, UL94V-0, Black.
- \* Seals: Silicone, UL94V-0, Gray.
- \* Gasket: Silicone, UL94V-0, Gray.
- \*  $\text{\textcircled{1}} \text{\textcircled{2}} \text{\textcircled{3}} \text{\textcircled{4}} \text{\textcircled{5}}$  組裝放入一個PE袋
- \*  $\text{\textcircled{3}}$  只需鎖3~4牙

(Assembly Put In One PE Bag)



UNIT: mm	$\varnothing$	$\text{\textcircled{C}}$
TOLERANCE	$\pm 0.5$	

TITLE FIBER OPTICAL CABLE ASS'Y TYPE		
SCALE 1:1	SIZE A4	SHEET 1 OF 1
REV. C	WC-REV. A.2	$\text{\textcircled{C}}$ : Inspection item

**Amphenol LTW**  
安費諾亮泰企業股份有限公司

ITEM NO. FB-00BLMA-TL7002	DRAWN BY Lingpeng	DATE 2018-01-16
DWG NO. FB-00BLMA-TL7002	CHECKED BY Mafei	DATE 2018-01-16
CUSTOMER ALTW	APPROVED BY Jerry	DATE 2018-01-16