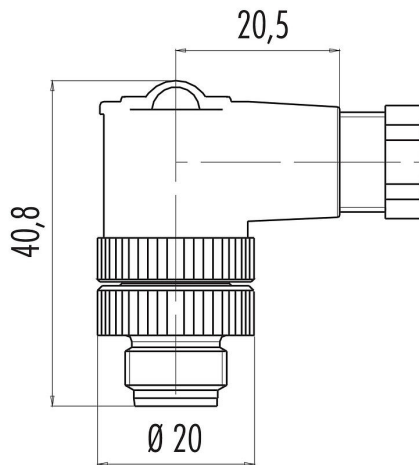


| | |
|---------------------|---|
| Product description | M12-US Male angled connector, Contacts: 2+PE, 4.0 - 6.0 mm, unshielded, screw clamp, IP67, UL |
| Area | M12-US series 815 |
| Part no. | 99 2429 24 03 |

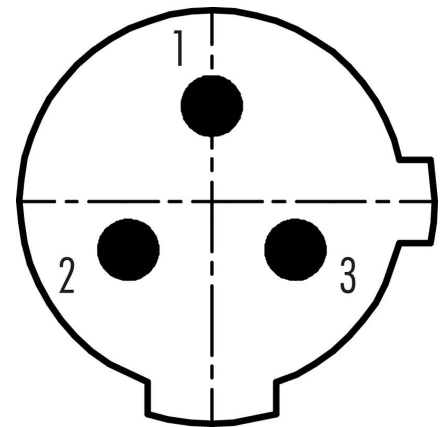
Illustration



Scale drawing



Contact arrangement (Plug-in side)



You can find the component part drawing and assembly instructions on the next page.

Technical data

General features

| | |
|---------------------------|---|
| Part no. | 99 2429 24 03 |
| Connector design | Male angled connector |
| Version | connector male angled |
| Connector locking system | screw |
| Termination | screw clamp |
| Degree of protection | IP67 |
| Cross-sectional area | max. 0.75 mm ² / max. AWG 18 |
| Cable outlet | 4.0 - 6.0 mm |
| Twistability | 90° (4 coding options) |
| Temperature range from/to | -25 °C / 85 °C |
| Mechanical operation | > 50 Mating cycles |
| Weight (g) | 23.33 |
| Customs tariff number | 85369010 |

Electrical parameters

| | |
|-----------------------|--------|
| Rated voltage | 250 V |
| Rated impulse voltage | 2500 V |
| Rated current (40 °C) | 4,0 A |

Automation technology - voltage and power supply

| | |
|---------------------|---|
| Product description | M12-US Male angled connector, Contacts: 2+PE, 4.0 - 6.0 mm, unshielded, screw clamp, IP67, UL |
| Area | M12-US series 815 |
| Part no. | 99 2429 24 03 |

| | |
|---------------------------|-----------------------|
| Insulation resistance | $\geq 10^{10} \Omega$ |
| Pollution degree | 3 |
| Overvoltage category | II |
| Insulating material group | II |
| EMC compliance | unshielded |

Material

| | |
|-----------------------|--|
| Housing material | PA |
| Contact body material | PA |
| Contact material | CuZn (brass) |
| Contact plating | CuSnZn (Optalloy) |
| REACH SVHC | CAS 96-45-7 (Imidazolidine-2-thione) CAS 7439-92-1 (Lead) |
| SCIP number | SCIP-number not available |

Authorization/approvals

| | |
|-----------|----|
| Approvals | UL |
|-----------|----|

Classifications

| | |
|-------------|-------------|
| eCl@ss 11.1 | 27-44-01-02 |
| ETIM 7.0 | EC002635 |

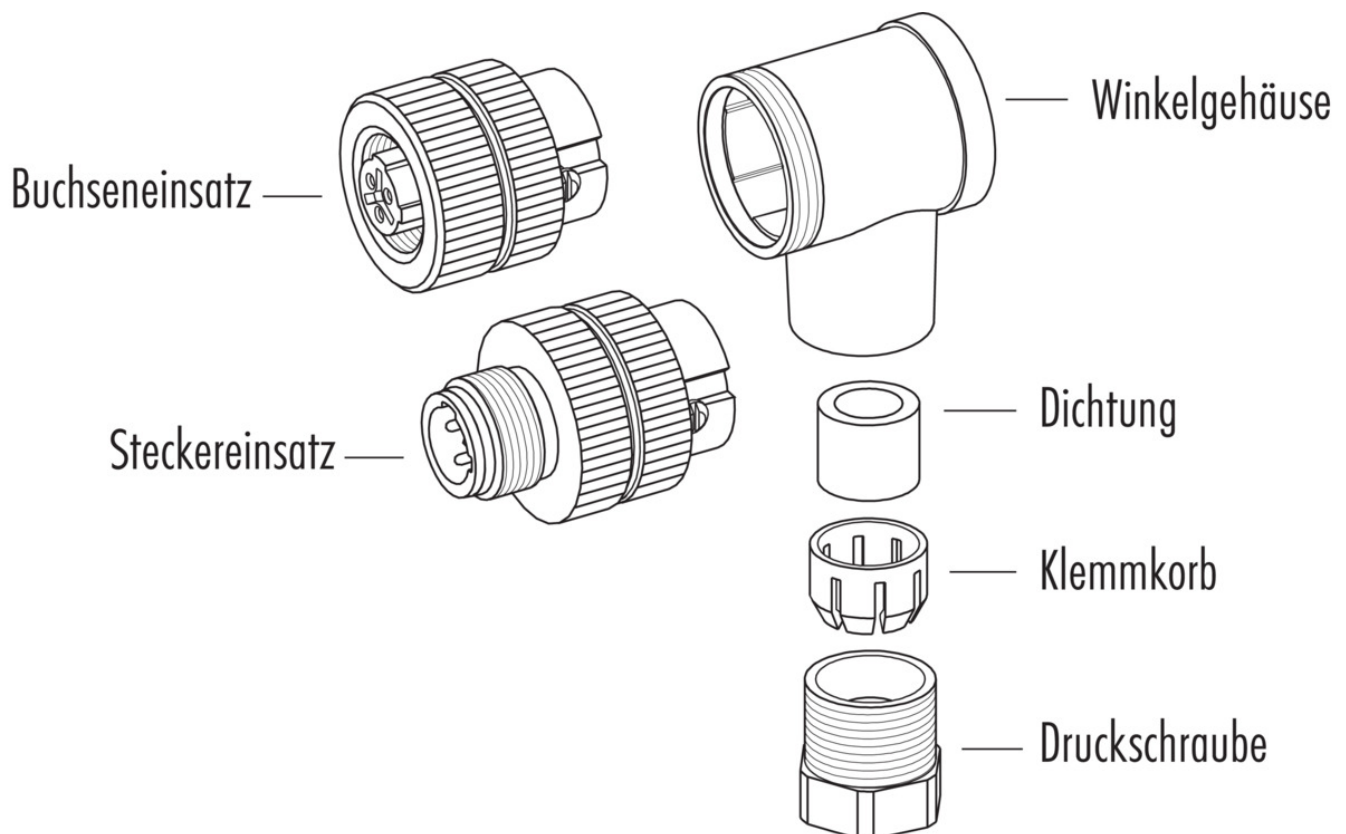
Declarations of conformity

| | |
|-----------------------|--|
| Low Voltage Directive | 2014/35/EU (EN 60204-1:2018;EN 60529:1991) |
|-----------------------|--|

Product description M12-US Male angled connector, Contacts: 2+PE, 4.0 - 6.0 mm, unshielded, screw clamp, IP67, UL

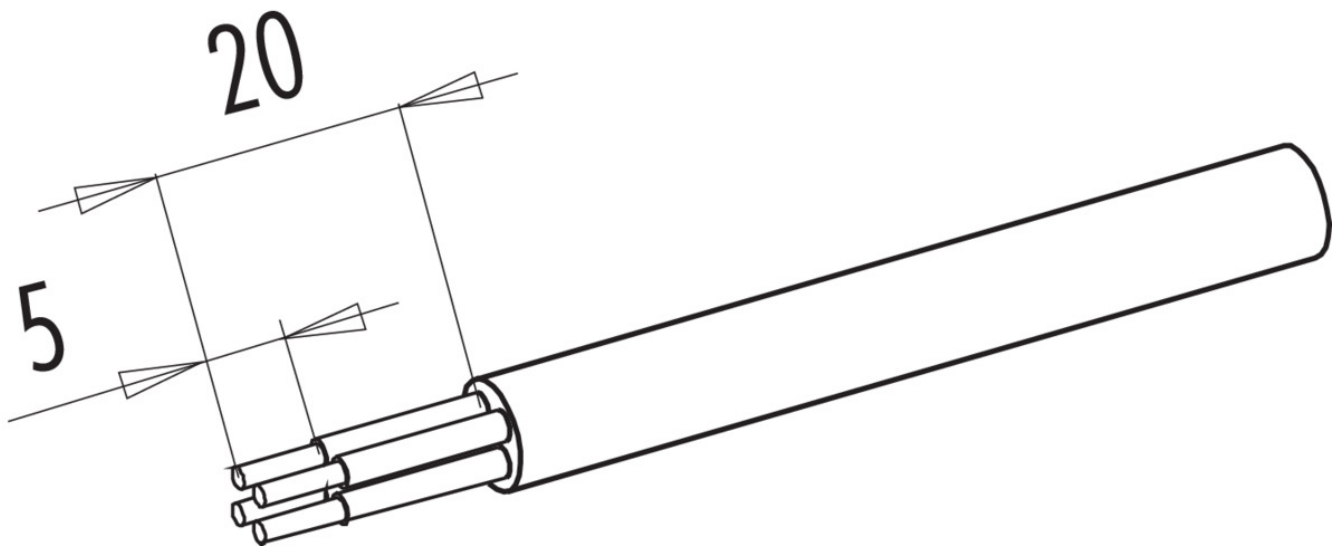
Area M12-US series 815
Part no. 99 2429 24 03

Component part drawing



| | |
|---------------------|---|
| Product description | M12-US Male angled connector, Contacts: 2+PE, 4.0 - 6.0 mm, unshielded, screw clamp, IP67, UL |
| Area | M12-US series 815 |
| Part no. | 99 2429 24 03 |

Assembly instructions



| | |
|---------------------|---|
| Product description | M12-US Male angled connector, Contacts: 2+PE, 4.0 - 6.0 mm, unshielded, screw clamp, IP67, UL |
| Area | M12-US series 815 |
| Part no. | 99 2429 24 03 |

General Disclaim Notice

The connector must not be plugged or unplugged under load. Non-observance and improper use can result in personal injury.

The connectors have been developed for applications in plant engineering, control and electrical equipment construction. The user is responsible for checking whether the connectors can also be used in other areas of application.

To protect against unintentional opening of the connector, the thread between the housing and the connector head must be secured with a suitable cyanoacrylate adhesive when used in circuits with voltages dangerous to the touch. This does not apply to connectors used in SELV and PELV circuits according to IEC 61140 (EN 61140, VDE 0140-1).

Connectors which are used in circuits with voltages dangerous to the touch may only be installed and used by, or under the supervision of, persons with electrical engineering training, taking into account the applicable regulations and standards.

Plug connectors with enclosure protection IP 67 and IP 68 are not suitable for use under water. When used outdoors, the plug connectors must be protected separately against corrosion. For further information on the IP protection classes, please refer to the "Technical Information" download centre.

To lock the cable connector with the device connector, the threaded ring is tightened "hand-tight" (approx. 50 cNm).