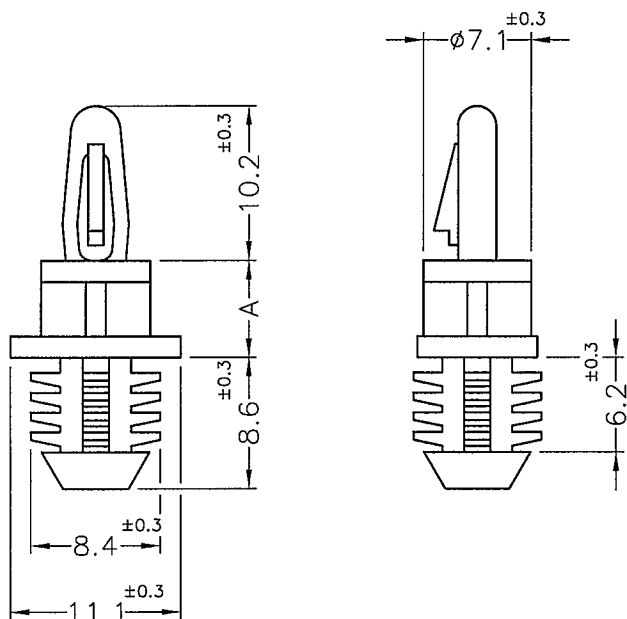


| DIM.     | TOL  |
|----------|------|
| 5mm DOWN | ±0.2 |
| 5~20mm   | ±0.3 |
| 20~40mm  | ±0.4 |
| 40~60mm  | ±0.5 |
| 60~100mm | ±0.8 |
| 100mm UP | ±1.0 |

HOLE IN P.C.B:  $\phi 4\text{mm}$   
THICKNESS: 1.6mm



| PART NO. | A    |
|----------|------|
| WBH-5    | 4.8  |
| WBH-6    | 6.4  |
| WBH-9    | 9.5  |
| WBH-11   | 11.1 |
| WBH-12   | 12.7 |
| WBH-16   | 15.9 |
| WBH-19   | 19.1 |
| WBH-22   | 22.2 |
| WBH-25   | 25.4 |

HOLE IN PANEL:  $\phi 7.9\text{mm}$   
THICKNESS: 6.4mm<sup>MIN.</sup>

NOTE: MADE OF EQUIVALENT MATERIAL.  
均可使用同等材質。



康揚企業股份有限公司  
KANG YANG HARDWARE ENTERPRISE CO., LTD.  
康揚塑膠(東莞)有限公司  
KANG YANG PLASTIC(DONG GUAN)CO., LTD.  
康哲電腦配件(吳江)有限公司  
KANG CHE COMPUTER COMPONENTS(WUJIANG)CO., LTD.

|   |          |            |   |                  |        |          |              |     |
|---|----------|------------|---|------------------|--------|----------|--------------|-----|
| PROPRIETARY AND CONFIDENTIAL<br>THE INFORMATION CONTAINED IN THIS DRAWING IS THE SOLE PROPERTY OF KANG YANG HARDWARE ENTERPRISE CO. ANY REPRODUCTION IN PART OR AS A WHOLE WITHOUT THE WRITTEN PERMISSION OF KANG YANG HARDWARE ENTERPRISE CO. IS PROHIBITED. | DATE     | 1999.11.05 | TITLE   | SPACER SUPPORT   |        | DWG. NO. | PART NO.     |     |
|   | DRAWN    | Linda      | MATERIAL  | NYLON 66 UL94V-2 |        | WBH-     | SEE ABOVE    |     |
|   | CHECKED  | 林祺翔        | COLOR   | NATURAL          | FINISH | SIZE     | SPEC. DWG.   | REV |
|   | APPROVED | Kang       | UNLESS OTHERWISE SPECIFIED TOLERANCE: SEE ABOVE |                  | A4     | A        |              |     |
| DO NOT SCALE DRAWING  |          |            |   | SCALE: 2:1       | UNIT   | mm       | SHEET 1 OF 1 |     |