

# DATA LINE SERIES

## GIGABIT Isolation

### Features

- Galvanic isolation, eliminates ground potential differences
- Supports 1000Mbps/s
- Very low insertion loss and crosstalk

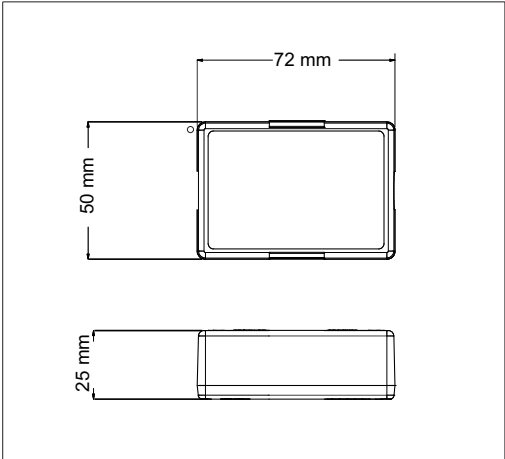
Protects fast ethernet LAN equipment such as hubs, switches and network interface cards from induced lightning and ground potential differences by galvanically isolating the connected equipment.



\*Specifications subject to change without prior notice due to continuous improvements

Specifications	
Network/Dataline Surge Isolation Protection	
Max. Discharge Current (Fine L-L)	40A (8/20us)
Max. Discharge Current (Coarse L-E)	2.5kA (8/20us)
Residual Voltage	<5V (1.2/50us)
Hi-Pot (Pri to Sec) isolation	1500Vrms, 1mA, 60 seconds
Technology Supported	Gigabit Cat5e
Data Speed Supported	>1000 MBit/s
Pairs Protected	1-2, 3-6, 4-5, 7-8

### DIMENSIONS



Designed and Manufactured by:  
**Clearline Protection Systems (Pty) Ltd**  
Unit 2, 64 Lechwe Street Corporate Park South  
Midrand, South Africa  
P.O. Box 5985, Halfway House, 1685  
Tel: +27 (0) 11 848-1100  
Fax: +27 (0) 11 314-3880  
E-mail: info@clearline.co.za  
www.surgeprotection.co.za

