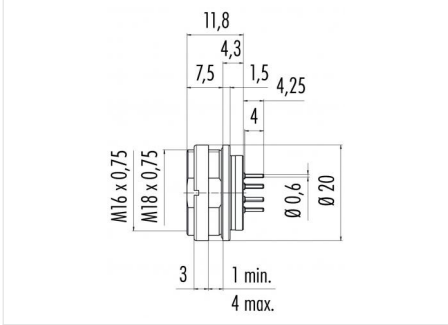


Product	Polzahl: 19, Flanschdose, tauchlöten, von vorn verschraubbar, 12 - 19 pol, vergoldete Kontakte, mit UL-Zulassung
Area	M16 IP67 Series 423/ 723/ 425
Article number	09 0464 90 19

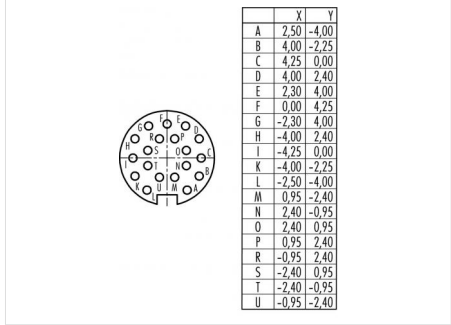
Illustration



Scale drawing



Contact Arrangement



You can find the assembly instruction on the next page.

Technical data

Common values

Connector Design	Female panel mount connector
Connector locking system	screw
Termination	dip-solder
Wire gauge (mm)	-
Wire gauge (AWG)	-
Upper temperature	95 °C
Lower temperature	-40 °C

Electrical values

Rated voltage	60 V
Rated impulse voltage	500 V
Pollution degree	1
Overvoltage category	I
Material group	III
Rated current (40°C)	3 A
Volume resistivity	≤ 3 mΩ
EMV compliance	shielded
Degree of protection	IP67
Mechanical operation	> 500 mating cycles

Material

Material of contact	CuSn (Bronze)
Contact plating	Au (Gold)
Material of contact body	PBT (UL 94 V-0)
Material of housing	Nickel-plated zinc die casting

Product **Polzahl: 19, Flanschdose, tauchlöten, von vorn verschraubbar, 12 - 19 pol, vergoldete Kontakte, mit UL-Zulassung**

Area **M16 IP67 Series 423/ 723/ 425**
Article number **09 0464 90 19**

Installation instructions / Mounting cutout

