



F7-C

Standalone FingerPrint Access Control Terminal

The F7-C is an IP based fingerprint terminal that works in standalone and network modes. The 4*4 keypad and LCD display make it easy to operate in standalone mode. In network mode, it can connect with ZKAccess3.5 software for access control management.

Wiegand output enables the F7-C to connect with any third party control panel that supports 26 bit wiegand, which allows security suppliers and system integrators to integrate ZKTeco fingerprint identification technology that is accurate, convenient and cost-effective with their current system.

Auxiliary input interface allows F7-C to connect with an external source, for instance a smoke detector or emergency switch. Once the linkage function is enabled through the machine menu, the device would generate an alarm signal and open the door in case of emergency.

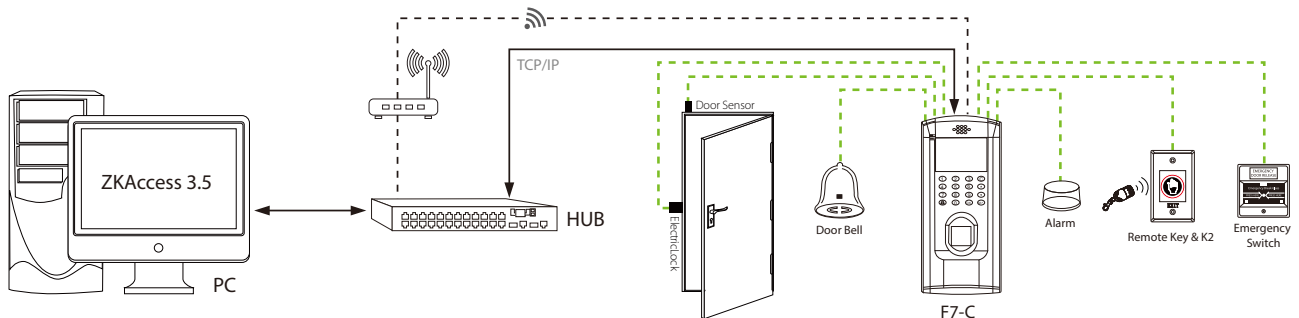
Features

- 2-inch color display with graphical UL, easy for operation.
- Audio-Visual indications for acceptance & rejection of fingerprint.
- TCP/IP or RS485 or WiFi communication for various networking environments.
- Built-in auxiliary input with enhanced flexibility to link with wired detector or switch.
- Multi-verification methods to enhance security level.
- Standard access control features such as Time Zone, Holiday, A&C Group, Unlock combination etc.
- Tamper-proofs switch and multiple alarm Outputs.
- Duress Alarm offers effective protection against duress by threats.
- Optional metal protection case for outdoor installation.
- Multi-language customizable.

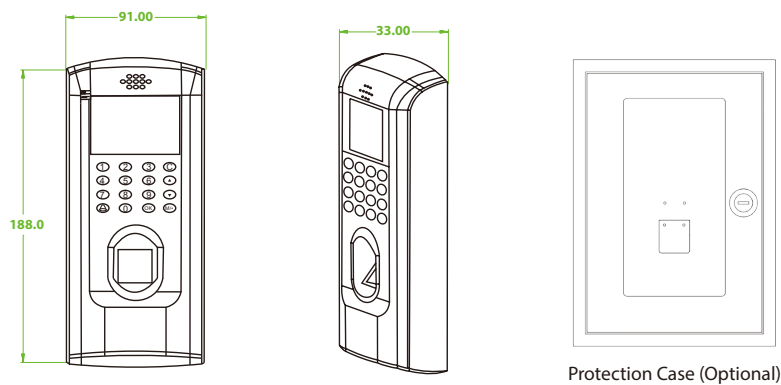
Specifications

Model	F7-C
LCD	2-inch color display
Fingerprint Sensor	ZK Optical Sensor(500DPI)
Algorithm Version	ZKFinger VX\Finger VX
Communication	TCP/IP, RS485, WiFi
Fingerprint Capacity	2000
Card Capacity (Optional)	5000
Records Capacity	100,000
Access Control Interface	Electric lock, Door sensor, Alarm, Exit button, Door Bell
Wiegand Signal	Wiegand output (optional Wiegand input)
Aux.Input	1 ea for linkage function
Power Supply	DC 12V/3A
Operating Temperature	0-45°C (32°-113°F)
Operating Humidity	20-80%
Dimensions(W*L*H)	91*188*33mm

System Configuration



Dimensions(mm)



V1.0 2019.08.01