

Product data sheet

Automation Technology - Voltage and Power Supply

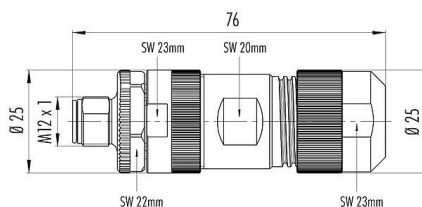


Product description	M12-L Male cable connector, Contacts: 4+FE, 8.0-13.0 mm, unshielded, screw clamp, IP67, UL, M12x1.0
Area	M12-L series 823
Part no.	99 0639 29 05

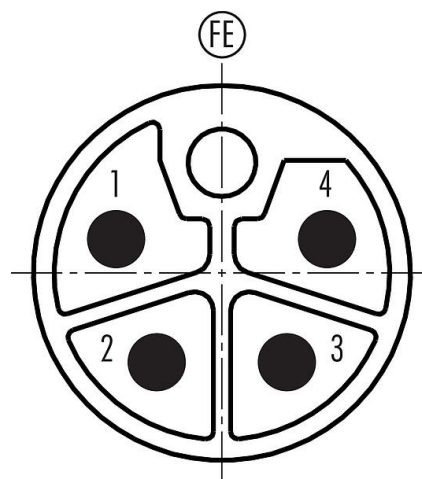
Illustration



Scale drawing



Contact arrangement (Plug-in side)



You can find the component part drawing and assembly instructions on the next page.

Technical data

General features

Part no.	99 0639 29 05
Connector design	Male cable connector
Version	Connector pin straight
Connector locking system	screw
Termination	screw clamp
Degree of protection	IP67
Cross-sectional area	max. 1.50 mm ² with ferrule / max. 2.50 mm ² without ferrule / AWG 16 with wire-end ferrule / AWG 14 without wire-end ferrule
Cable outlet	8.0-13.0 mm
Temperature range from/to	-40 °C / 105 °C
Mechanical operation	> 100 Mating cycles
Weight (g)	42.89
Customs tariff number	85369010

Electrical parameters

Rated voltage	63 V
Rated impulse voltage	1500 V
Rated impulse voltage UL	1500 V
Rated current (40 °C)	12 A (at 1.5 mm ² /AWG 16) / 16 A (at 2.5 mm ² /AWG 14)
Insulation resistance	> 10 ¹⁰ Ω
Pollution degree	3
Overtoltage category	III

Product data sheet

Automation Technology - Voltage and Power Supply



Product description	M12-L Male cable connector, Contacts: 4+FE, 8.0-13.0 mm, unshielded, screw clamp, IP67, UL, M12x1.0
Area	M12-L series 823
Part no.	99 0639 29 05

Insulating material group	I
EMC compliance	unshielded

Material

Housing material	PA
Contact body material	PA (UL94 V-0)
Contact material	CuZn (brass)
Contact plating	Au (gold)
REACH SVHC	CAS 7439-92-1 (Lead)
SCIP number	32e33507-7fa1-4d03-87d4-e7797a01bb05

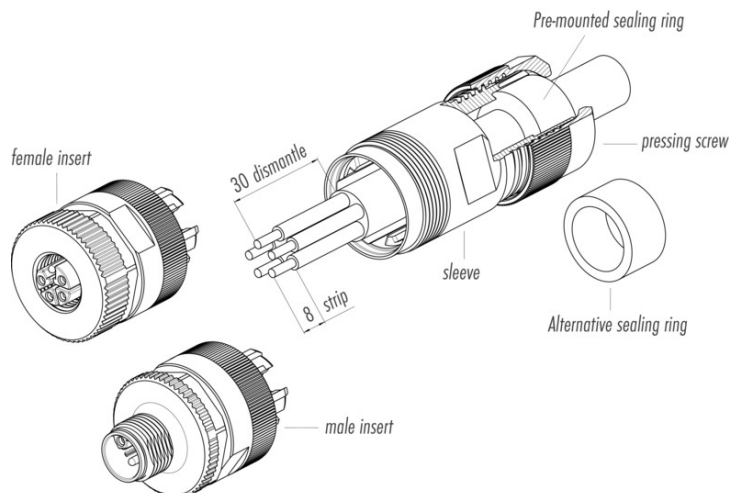
Authorization/approvals

Approvals	UL
-----------	----

Classifications

eCl@ss 11.1	27-44-01-02
ETIM 7.0	EC002635

Assembly instructions



1. Clamp out screws until bores for single wires are completely free.
2. Optional:
Change the the pre-mounted sealing ring against the alternative sealing ring when cable diameter is bigger than 10,5 mm.
3. Push sleeve on cable with cable clamp.
4. Cut off cable coating.
5. Strip single cores and twist single wires.
6. Insert single wires into the holes and tighten clamping screws (0,4 nm).
7. Screw on sleeve.
8. Turn on pressing screw.

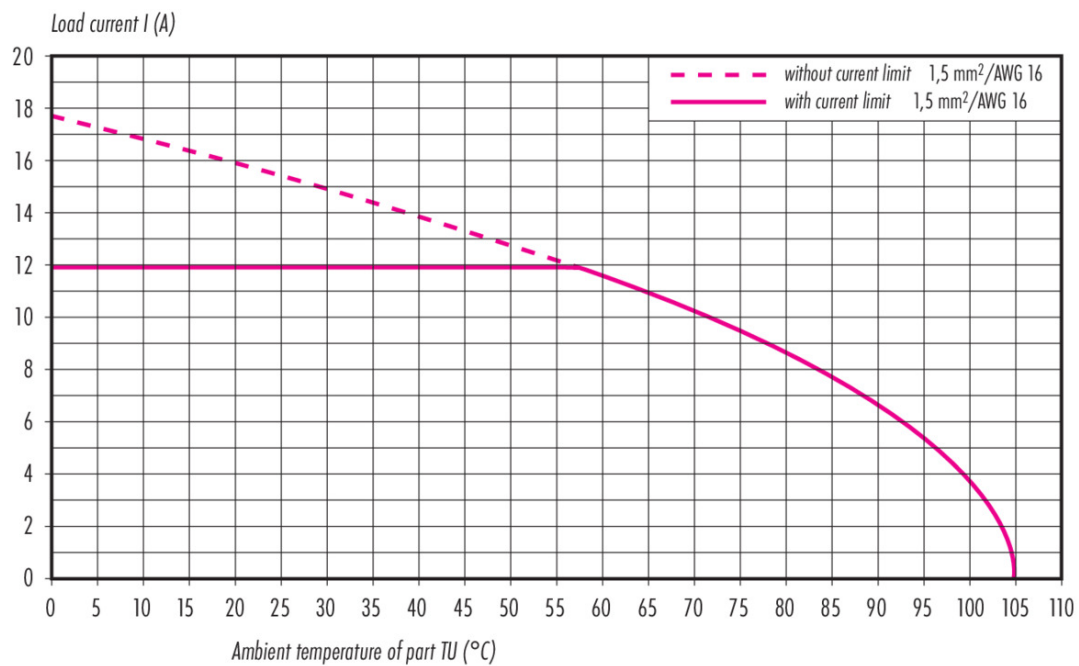
Product data sheet

Automation Technology - Voltage and Power Supply



Product description	M12-L Male cable connector, Contacts: 4+FE, 8.0-13.0 mm, unshielded, screw clamp, IP67, UL, M12x1.0
-	-
Area	M12-L series 823
Part no.	99 0639 29 05

Derating curve

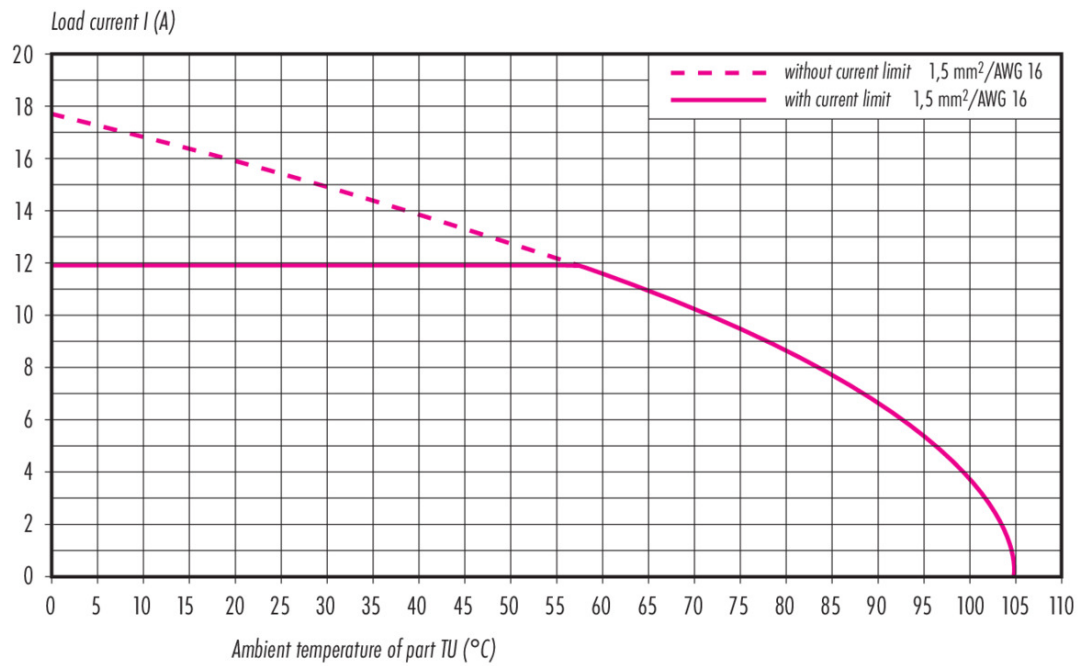


Product data sheet

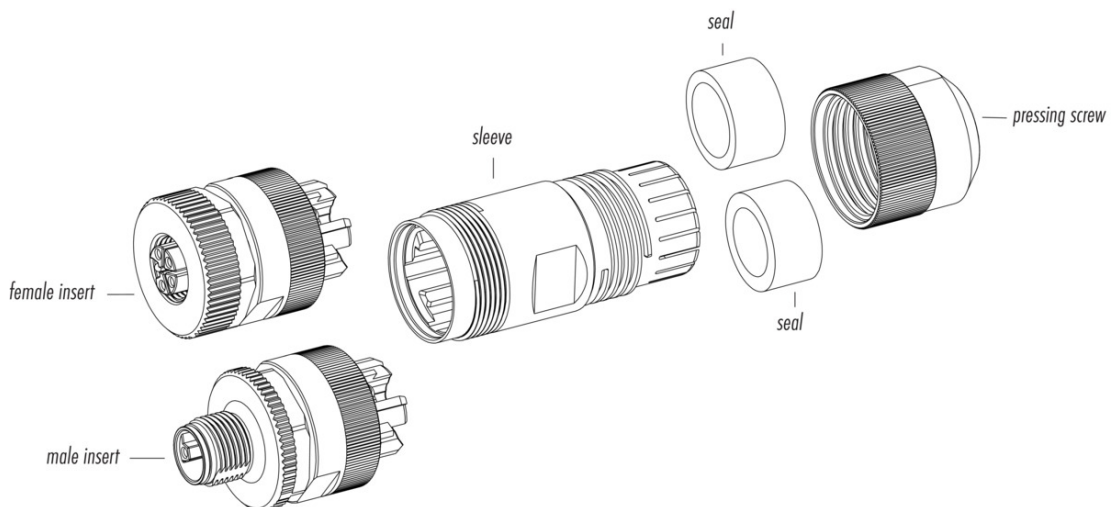
Automation Technology - Voltage and Power Supply

Product description	M12-L Male cable connector, Contacts: 4+FE, 8.0-13.0 mm, unshielded, screw clamp, IP67, UL, M12x1.0
Area	M12-L series 823
Part no.	99 0639 29 05

Derating curve



Component part drawing



Product description	M12-L Male cable connector, Contacts: 4+FE, 8.0-13.0 mm, unshielded, screw clamp, IP67, UL, M12x1.0
-	-
Area	M12-L series 823
Part no.	99 0639 29 05

Security notices

The connectors have been developed for applications in plant engineering, control and electrical equipment construction. The user is responsible for checking whether the connectors can also be used in other areas of application.

Plug connectors with enclosure protection IP67 and IP68 are not suitable for use under water. When used outdoors, the plug connectors must be protected separately against corrosion. For further information on the IP protection classes, please refer to the "Technical Information" download centre.

To lock the cable connector with the device connector, the threaded ring is tightened "hand-tight" (approx. 60 cNm).