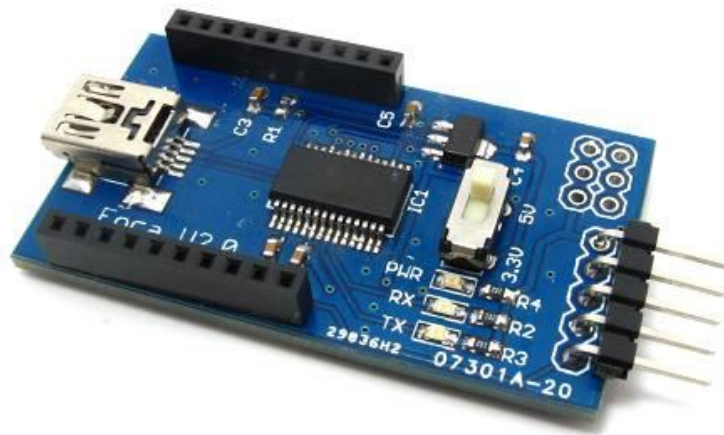


Foca V2.0

-A Tiny USB to UART Tool

Overview



Foca V2.0 is a USB to serial UART board with Xbee interface socket. It's the essential tools for establishing communication between PC and mostly MCU or use Xbee. Especially, it's the optimum tool for the board which basic Arduino but without USB interface, like Sniffer Nano, Colorduino and etc.

Basic features

- Single chip USB to asynchronous serial data transfer interface. Tiny volume
- Entire USB protocol handled on the chip – No firmware programming require
- 5V Single Supply Operation and compatible with 3.3V/5V operation voltage.
- USB 2.0 Full Speed compatible
- Compatible with Xbee

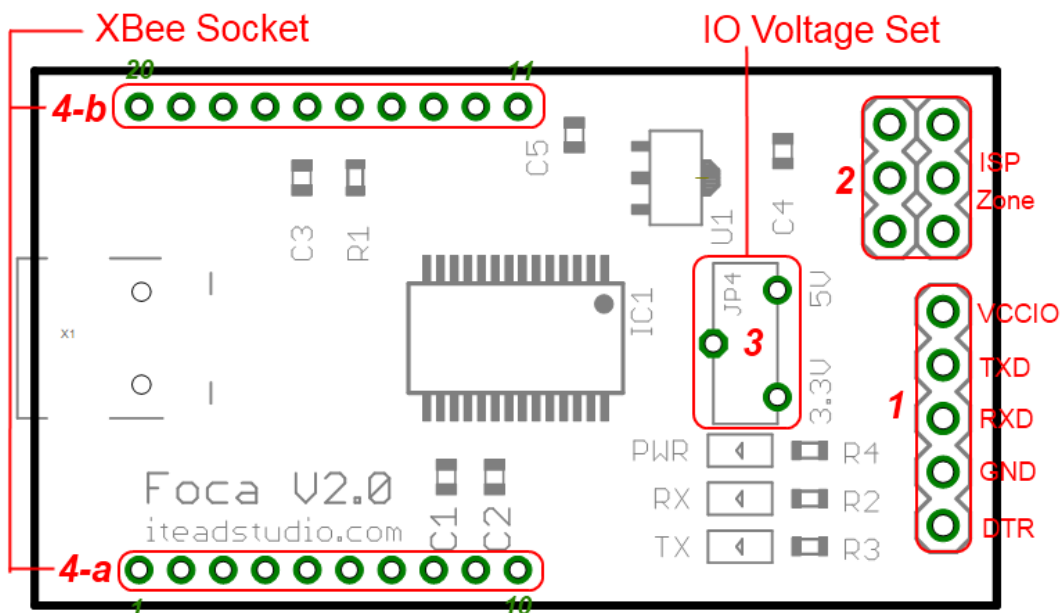
Specifications

PCB size	45.72mm X 29.21mm X 1.6mm
Power supply	5V DC
Indicators	TX,RX,PWR
RoSH	Yes

Electrical Characteristics

Specification	Min	Type	Max	Unit
Power Voltage	4.5	5	5.5	VDC
Output Voltage	Target Voltage = 3.3V			
VH	Target Voltage = 5V			
Output Voltage VL:	-0.3	0	0.5	V
Current Consumption	-	20	40	mA

Hardware



Index	Name	Description
1	UART	Serial interface
2	ISP	Program with AVRDUDE
3	IO voltage Switch	Set the voltage of VCCIO
4	XBee socket	Socket for Xbee/XBee pro

License



Attribution Non-Commercial Share Alike

cc by-nc-sa

Revision History

Rev.	Description	Release date
v1.0	Initial version	2011-1-21