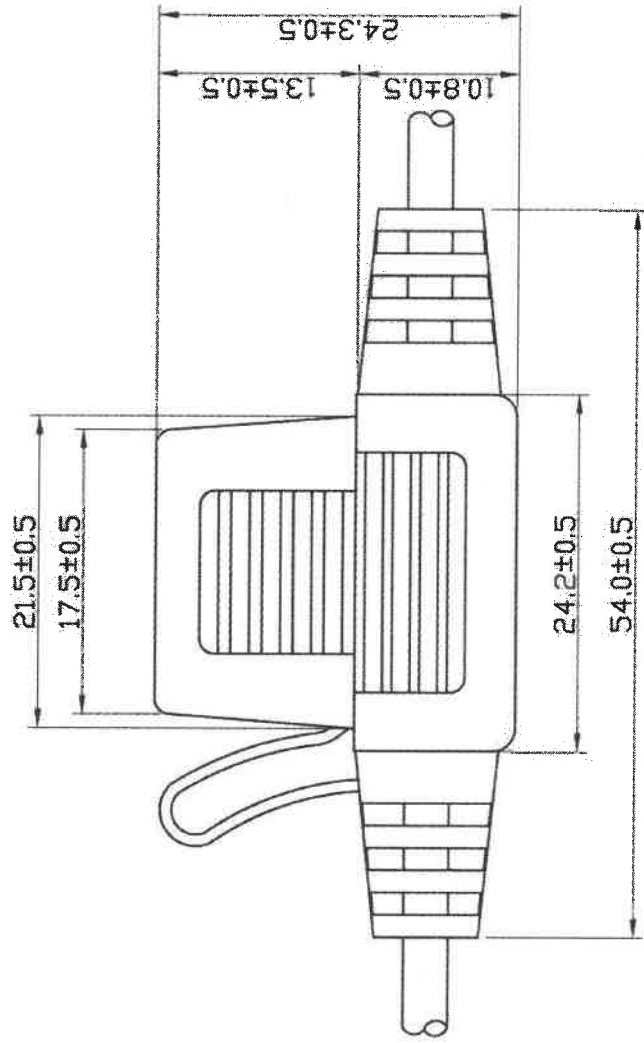
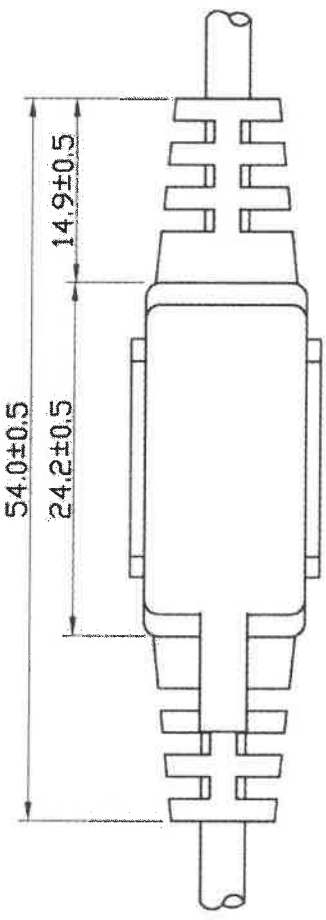
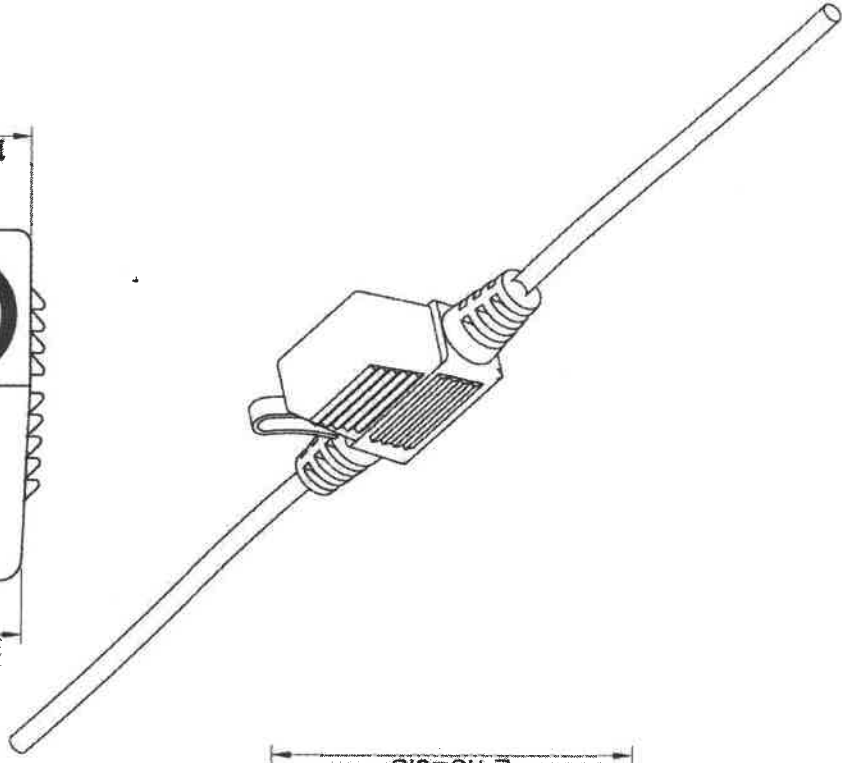
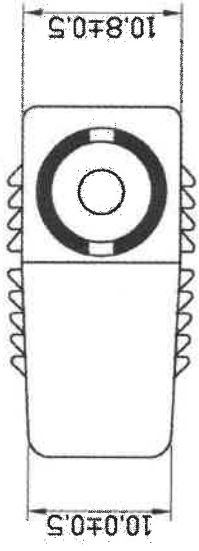


| | | | | |
|----------|-----|-----------------|------|--------|
| A | REV | DESCRIPTION | DATE | E.C.N. |
| | 1.0 | Initial Release | | |



IN-LINE FUSE HOLDER(ADD CAP)

FOR ATS FUSES

SPECIFICATIONS:

Electrical: Rated for currents up to 30A

Insulating Body: PVC

Contacts: Brass

Note: available on special order for wire sizes and lengths

Range of wire gauge 12#, 14#, 16#, 18#, 20#

| | | |
|---|----------------|------------------------|
| UNLESS OTHERWISE SPECIFIED DIMENSIONS ARE IN MM TOLERANCE DECIMALES ± XX ± XXX ± DO NOT SCALE DRAWING | CONTRACT NO. | TITLE |
| | DRAWN BY | |
| ANGULAR ± 1' MATERIAL TREATMENT | CHECKED BY | |
| | DESIGNED BY | |
| | DATE: 01/05/04 | PART NO. CQ211SN M00 |
| | | DRAWING NO. BA04010509 |

FUSE HOLDER