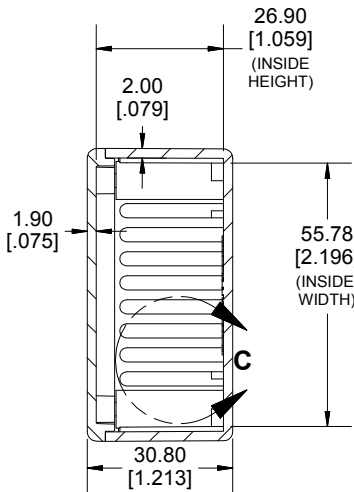
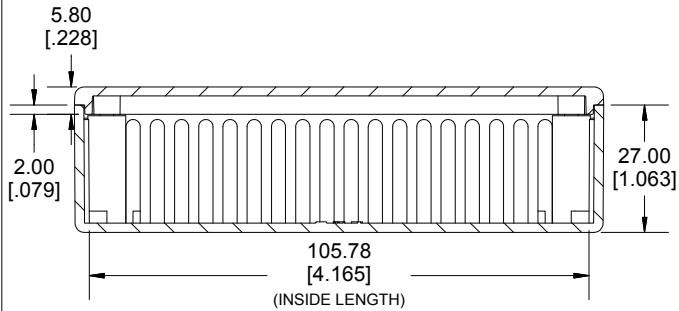
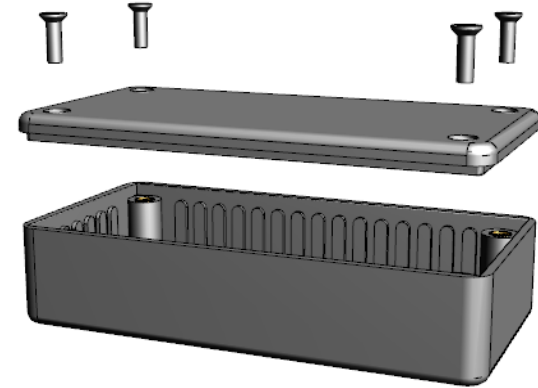


**TOP VIEW**

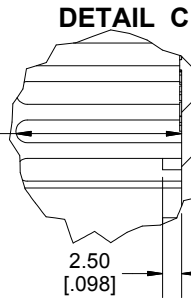


**SECTION A-A**

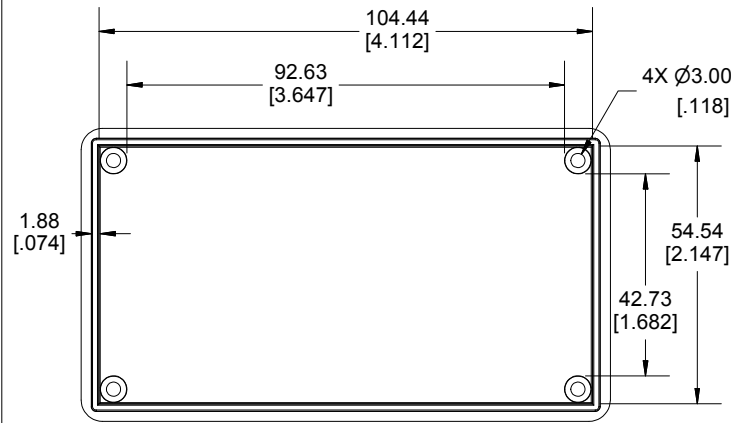
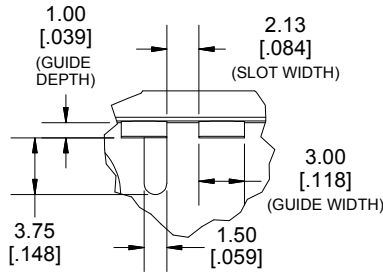


**SECTION B-B  
SIDE VIEW**

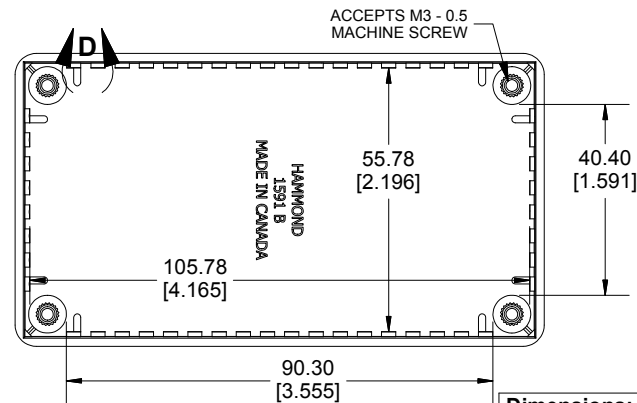
21.90  
[.862]  
(GUIDE HEIGHT)



**DETAIL D**



**INSIDE LID**



**INSIDE BOX**

Dimensions:  
mm  
[inches]

Enclosures can be Factory Modified ( Milling, Drilling, Printing etc.)  
Contact Factory [mjm@hammondmfg.com](mailto:mjm@hammondmfg.com) for quotes  
Solid models of this enclosure available in STEP or IGES.

**NOTE**

Purchased assembly includes box, lid, 4 cover screws, and pre-installed brass inserts.  
Enclosure made from FRABS or Polycarbonate.

**Recommended Torque: 42-57 ozf.in (30-40 cN.m)**

**PART NUMBERS**

1591B Enclosure		
Material	Colour	Part Number
FR ABS UL94 -V0	Beige	1591BBG
	Black	1591BBK
	Blue	1591BBU
	Grey	1591BGY
Translucent Polycarbonate	Ice Blue	1591BTBU
	IR Red	1591BTRD
	Crystal Clear	1591BTCL
Accessories		
Plated Cover screw	M3 - 0.5 X 10mm (100Pkg)	1591MS100 (Silver) 1591MS100BK (Black)
PC Board Card Adapters		1591Z6 (6Pkg) 1591Z50 (50 Pkg) 1591Z100 (100Pkg)
	Nylon Belt / Pocket clip	1599CLIP (Black) 1599CLIPGY (Grey)
	Clear Lids - Flame Retardant Polycarbonate - Lid ONLY	1591BC

**HAMMOND  
MANUFACTURING®**  
**1591B**  
[www.hammondmfg.com](http://www.hammondmfg.com)