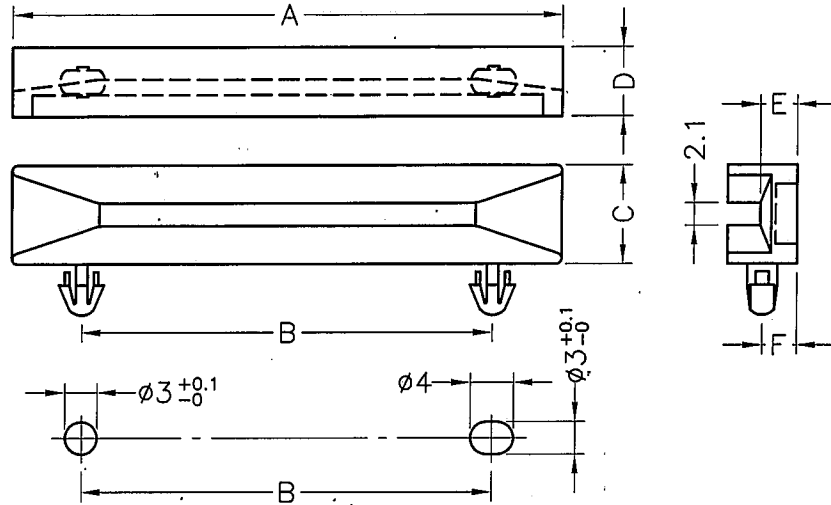


成型尺寸	公差
5mm以下	±0.2
5~20mm	±0.3
20~40mm	±0.4
40~60mm	±0.5
60~100mm	±0.8
100mm以上	±1.0

REVISIONS			
REV	DESCRIPTION	DATE	BY
△B	50.8 CHANGE TO 51 ,38 CHANGE TO 38.2	91.01.30	S.J.C.



MOUNTING HOLE

PART NO.	A	B	C	D	E	F	P.C.B THICKNESS
CGLA-4							1.6~1.7
CGLA-4(1)	38.4	20.0	9.2	6.4	3.4	3.2	1.0
CGLA-4(2)							2.0
CGLA-4S	40.0	20.0	8.0	6.0	3.0	3.0	1.6
CGLA-6	△ 51.0	38.2	9.2	6.4	3.4	3.2	1.6~1.7
CGLA-8							1.6~1.8
CGLA-8(2)							1.8~2.1
CGLA-8(8)	81.0	60.0					1.8
CGLA-8(25)			8.0	6.0	3.0	3.0	2.5
CGLA-9(1)	91.5	71.0					1.6~1.8
CGLA-9(2)							1.8~2.1

QMF22 February 13, 1996  
Component - Plastics

E I DUPONT DE NEMOURS & CO INC.  
DUPONT POLYMERS, ENGINEERING POLYMERS  
NYLON RESINS PO BOX 80713, CHESTNUT RUN  
PLAZA, WILMINGTON DE 19880

E41938 (M)  
(A card)

Mil Dsg	Col	Min Thk mm	UL94 Flame Class	Elec	RTI Mech with imp	Mech w/o imp	H W I	H A I	H V R	D 4 9 5	TC
Polyamide, Type 66 nylon (PA66), designated "Zytel", furnished in the form of pellets.											
132F+	All	0.71	94V-2	125	65	65	4	0	-	-	-
133L+, 135F+		1.5	94V-2	125	75	85	3	0	0	-	-
		3.0	94V-2	125	75	85	2	0	0	6	0
		6.0	94V-2	125	75	85	2	0	0	-	-
→ 101(f2)+, 101F+, 101L+, E101L+, E101(f1)+	All	0.71	94V-2	125	65	65	4	0	-	-	-
		1.5	94V-2	125	75	85	3	0	0	-	-
		3.0	94V-2	125	75	85	2	0	0	6	0
		6.0	94V-2	125	75	85	2	0	0	-	-

Reports: August 30, 1968; December 2, 1992.

Replaces E41938A dated July 24, 1995.  
324299147 H7047 Underwriters Laboratories Inc.®

(Cont. on A001 card)  
DJ1/0005183

<p>康揚企業股份有限公司 KANG YANG HARDWARE ENTERPRISE CO., LTD. 東莞康揚塑膠五金電子廠 DONG GUAN KANG YANG PLASTIC HARDWARE COMPANY 康哲電腦配件(吳江)有限公司 KANG CHE COMPUTER COMPONENTS(WUJIANG) CO.,LTD.</p>	TITLE PC板導槽		產品規格圖面	
	MATERIAL NYLON 66 UL94V-2		DATE 2002.01.30	
	FINISH		DRAWN S.J.C.	
	COLOR NATURAL		CHECK 許玉芬	
PART NUMBER SEE ABOVE	DRAWING NUMBER CGLA-H		UNLESS OTHERWISE SPECIFIED TOLERANCE SEE ABOVE	
SIZE A4	SCALE NONE	UNIT mm	REV B	APPROVED Kang