

THE DUOLINE SERIES

8-Way Surge Multi Plug

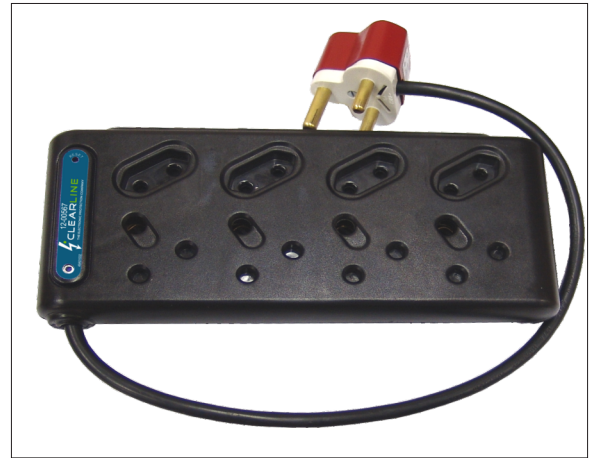
12-00567

Features

- Plug and Play concept
- High surge handling capability
- Economical secondary protection
- Thermal and over-current fusing
- Visual fault indication
- Differential and common mode protection
- Fire Hazard Protection
- 4 x 16A SA Sockets
- 4 x 16A Code C Euro Sockets

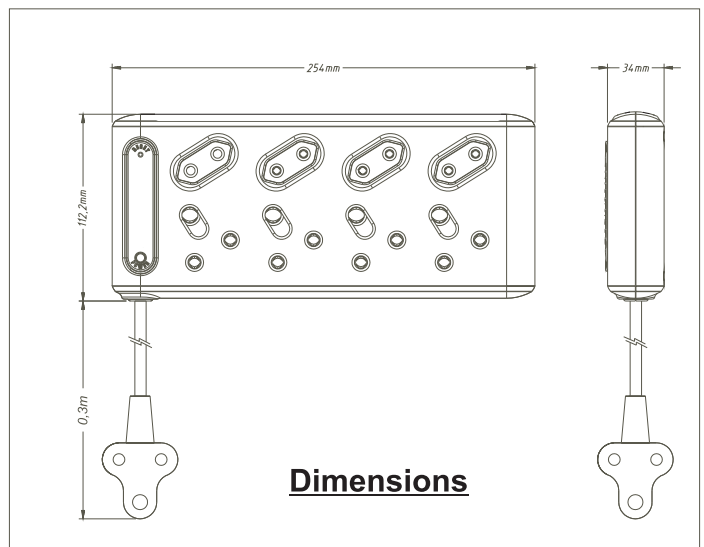
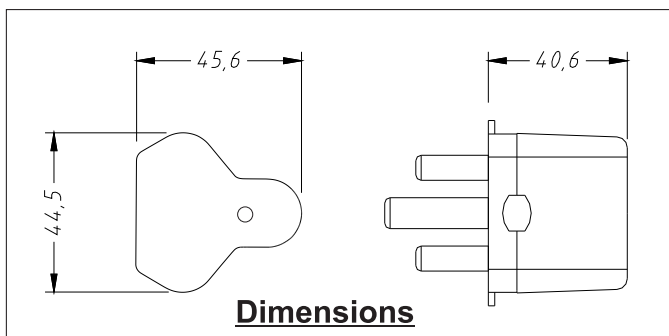
These plugs are fitted with an overcurrent and thermal fuse. In the rare event of varistor failure, the varistors are disconnected from the mains supply, preventing any dangerous temperature rise. The fault indication LED which is normally lit will go OFF to indicate that the unit is no longer protected. Mains power will still be available to the unprotected equipment.

Clearline protects your equipment against lightning and surges without additional earthing. The protection modules have multiple stages of protection capable of blocking severe lightning and power surges. Clearline incorporates a fast overload device which will be activated in extreme conditions. Functional indication lamps display the protection status of the unit.



Specifications

Nominal operating voltage	230VAC
Maximum continuous operating voltage	275VAC
Maximum continuous operating current	16A
Maximum surge current (8/20)	8kA
Filtration dB/1MHz	None
Fault indication: Protection OK	LED ON
Fault indication: Protection faulty	LED OFF
Fusing	Integrated 104°C Thermal and 16A overcurrent fuse
Temperature range	-10°C to +70°C
Response Time	<25ns



Designed and Manufactured by:

Clearline Protection Systems (Pty) Ltd

Roan Crescent Corporate Park North, Old Pta Road, Midrand, South Africa

P.O. Box 5985, Halfway House, 1685

Tel: +27 (0) 11 848-1100

Fax: +27 (0) 11 314-3880

E-mail: sales@clearline.co.za

www.clearline.co.za

