

## QAT-TRDM – ELECTRONIC TIME SWITCH Installation and Programming Guide

### General

The programmable time switch can be used to automatically control pool pumps, lights, geysers, etc.

### Important Notes

1. During a power failure, the ⚡ symbol is displayed and the time switch enters standby. After a few hours, the display will turn off completely.
2. The time switch has a backup power feature which requires 1 hour to charge.
3. In the event of a power failure, a fully charged time switch will keep time for up to 24 hours.  
The programmed schedule is always retained.
4. CBI advises that the time switch be installed by a suitably qualified electrician.



### Installation

1. Isolate supply power before installing time switch.
2. Install the time switch on either mini rail or DIN rail (remove the escutcheon adapter for DIN).
3. Connect the time switch according to Figure 1 or Figure 2. Use a suitable contactor (Figure 3) if necessary to switch higher current. Strictly obey markings for Line and Neutral poles.
4. Apply power and set the time and desired program schedule.

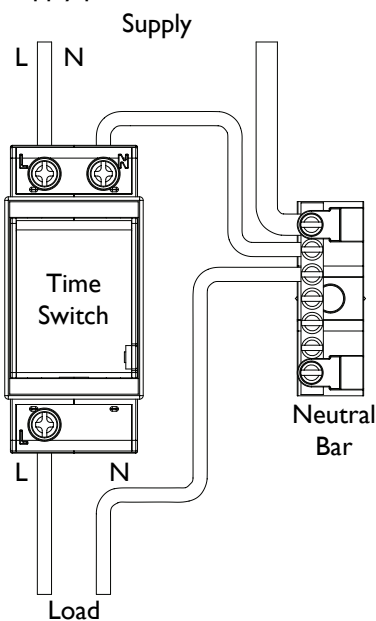


Figure 1: DB wiring

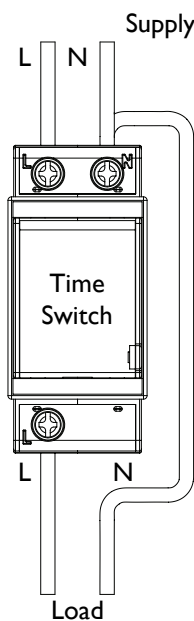


Figure 2: Stand alone wiring

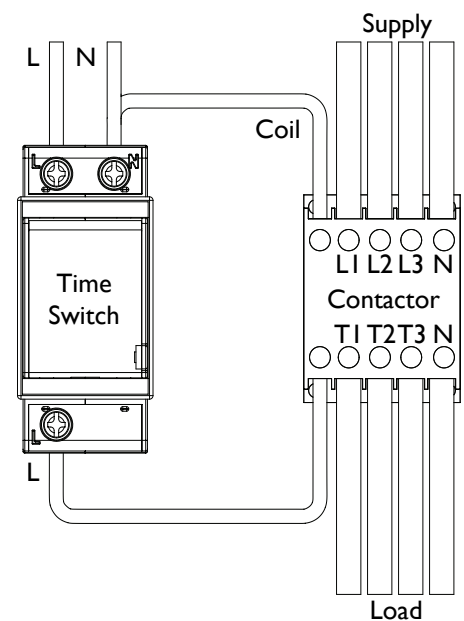


Figure 3: Wiring a contactor for loads greater than 21 A resistive or 10 A inductive

### Technical Data

Parameter	Specification
Supply Voltage	230V <sub>RMS</sub> 50 Hz, 1Ph
Maximum Load	Resistive (Geysers, under floor heating, lights) 21 A Inductive (Pool pump, air conditioners) 10 A
Contact Endurance	20 000 (minimum) Operations
Degree of Ingress Protection (When installed in distribution panel)	IP40 (not waterproofed)
Operating Temperature	-20 °C to +55 °C
Single Segment Period	15 min.
Maximum Period for all Segments	96 x 15 min. Segments
Clock Accuracy	± 3 min. per month
Time Retention (Power Outage)	24 h

## Programming Instructions

**TOUCH BUTTONS** Use the flesh of your index finger on touch sensitive areas.

**LONG PRESS** Press and hold the named touch button for 2 seconds.

### A. Home screen

On this screen, the timer is operating according to programmed schedule. The home screen displays the current time. The present switch status is indicated as ON or OFF. From here you can enter setup functions (See B and C) or go to manual mode (See D).

### B. Setting the clock

- From the Home screen, press and hold FUNCTION until **CLOCK SET** is displayed.
- FUNCTION doesn't work? First exit the **BYPASS** feature.
- Use the HOUR and MINUTE buttons to set the clock to the current time of day in 24-hour format.
- Press and hold FUNCTION to store the time and go to Program.

### C. Setting the program schedule

- Decide now what times the load should be on.  
Example: hot water geyser on from 05:30 to 07:00.

C.1. From the Home screen, go via Clock Set and then to Program by pressing FUNCTION. **PROGRAM** is displayed. The programming starts at 00:00 (midnight).

- A program schedule is built up in 15-minute segments, by pressing OFF when the load must be off and ON when the load must be on.

C.2. Example (continued):

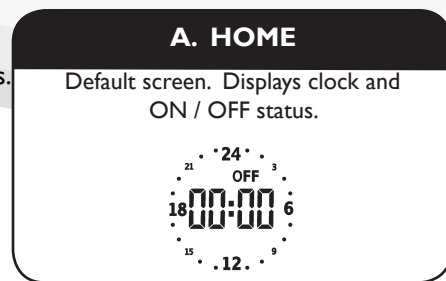
The geyser must be off until 05:30, therefore repeatedly press (or hold) OFF until 05:30 is displayed.

C.3. The geyser must be on until 07:00, therefore repeatedly press (or hold) ON until 07:00 is displayed.

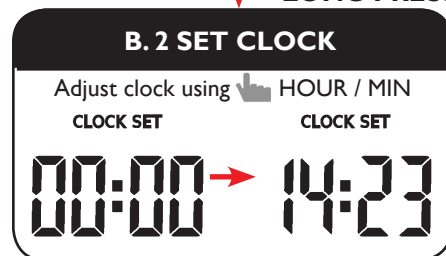
- You may repeat steps C.2 and C.3 for additional schedules e.g. geyser also off until 18:15 and on until 21:00.

- Made a mistake? Hold OFF to erase all (or some) segments and start over with step C.2.

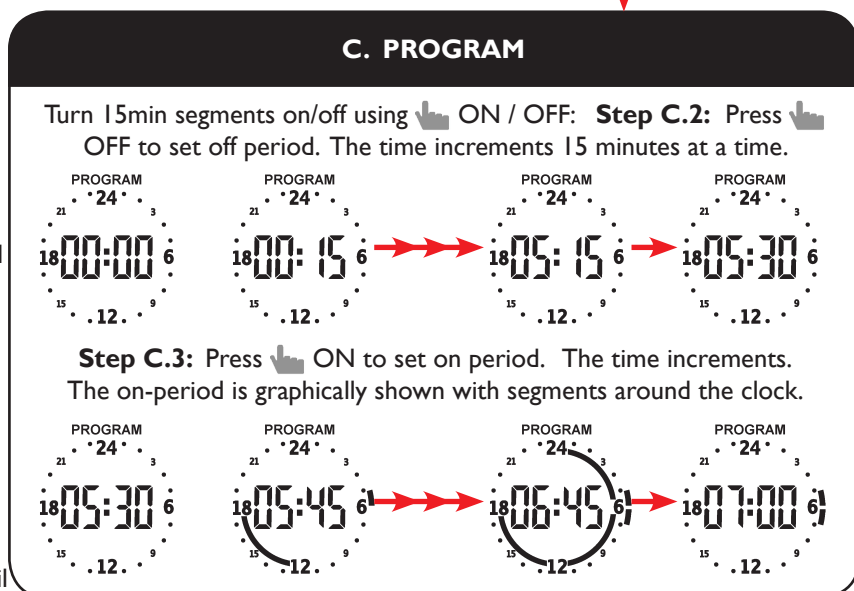
C.4. Press and hold FUNCTION to store the new program and return to Home.



**FUNCTION**  
LONG PRESS



**FUNCTION**  
LONG PRESS



**FUNCTION**  
LONG PRESS

### D. Manually bypass the program schedule (Optional)

The timer has a full manual control feature to override the program.

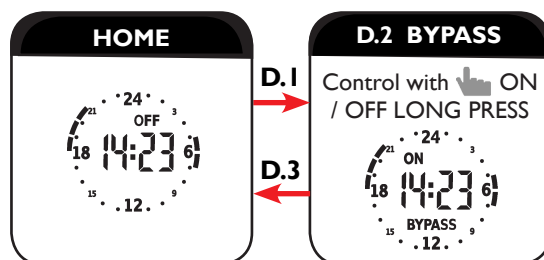
Example: keep the geyser switched on for the weekend.

- From home screen, press BYPASS until **BYPASS** is flashing.
- Control the load as desired with a long press ON / OFF. The time switch will remain in this condition, until you exit Bypass.

To return to normal time switch operation, exit Bypass:

- Long press BYPASS to return to Home. The **BYPASS** indicator disappears.

**BYPASS**  
LONG PRESS



### SOUTH AFRICA

**CBI-electric: low voltage**

Tripswitch Drive Elandsfontein

Gauteng South Africa

Tel: +27 11 928 2000

Fax: +27 11 392 2354

Email: [cbi@cbi-electric.com](mailto:cbi@cbi-electric.com)

Website: [www.cbi-lowvoltage.co.za](http://www.cbi-lowvoltage.co.za)

A member of the **REUNERT** Group

Please review our **Customer Terms and Conditions** on [www.cbi-lowvoltage.co.za](http://www.cbi-lowvoltage.co.za)

All rights reserved. Unless otherwise indicated, all materials on these pages are copyrighted by CBI (Pty) Ltd. No part of these pages, either text or image may be used for any purpose other than personal use. Therefore, reproduction, modification, storage in a retrieval system or retransmission, in any form or by any means, electronic, mechanical or otherwise, for reasons other than personal use, is strictly prohibited without prior written permission. CBI (Pty) Ltd reserves the right to alter any details of this document without notice and while every effort is made to ensure the accuracy of the content, no warranty is given as to accuracy of this document and no responsibility will be accepted for error or misinterpretation and any resulting loss.