

# Data sheet

## E-DAT modul 1 port AP Cat.6<sub>A</sub>, pure white

Page 1/7

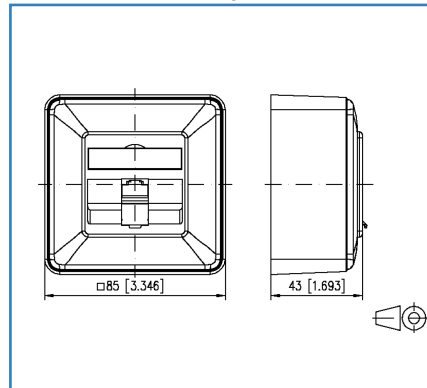
P/N  
1309110002-E  
EAN 4250184105534

2016-21-01

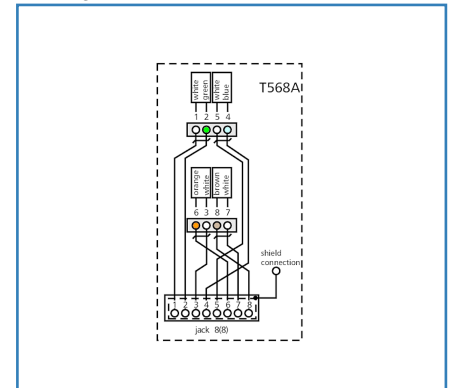
### Illustrations



Dimensional drawing



Wiring



See enlarged drawings at the end of document

### Product specification

- surface-mounted termination unit with E-DAT modul
- component testing for Cat.6<sub>A</sub> to ISO/IEC 11801 Ed.2.2:2011-06, DIN EN 50173-1:2011-09, TIA/EIA-568-C.2 (2009-08) and IEC 60603-7-51 Ed.1 (12/2008), certified to GHMT
- compliance with class E<sub>A</sub> to ISO/IEC 11801
- compliance with class E to ISO/IEC 11801 Ed.2.2:2011-06, DIN EN 50173-1:2011-09
- tested: Link up to 500 MHz
- suitable for 10 GBit Ethernet (IEEE 802.3an), Remote Powering (PoE, PoE plus and UPoE) and HDBaseT
- easy to install connection of 2 to 4 pair data lines AWG 26/1 - 22/1 and stranded wires with 7 copper conductors AWG 26/7 - 22/7 to BTR 8-fold insulation displacement connectors (IDC)
- marking of conductor assignment to T568A or T568B
- module plug direction 45° downwards
- strain relief with cable tie at the module
- with label window for enclosed identification labels
- label sheet 209 x 294 mm see accessory
- integrated dust protection covers (also colored)
- pearl white RAL 1013 or pure white RAL 9010 cover parts; structured surface with matt finish
- variants: 1 port, 2 ports, 3 ports
- color variants: pure white and pearl white



## Technical Data

### General Data

Fields of application	Office
Design	Wall outlet
Mounting style	surface mount
Shielding	shielded
Transmission technology	Copper
Color	pure white
Dimensions	
Dimension (L x W x H)	43.00 x 85.00 x 85.00 mm
Dimension (L x W x H)	1.69 x 3.35 x 3.35 in.
Modularity	yes
Labeling option	label window with identification label
Marking option	by dust protection

### Transmission characteristics

Category (ISO)	6 <sub>A</sub>
Class (ISO/IEC)	E <sub>A</sub>
Category (TIA)	6A
Remote Powering	yes
PoE	IEEE 802.3af
PoE plus	IEEE 802.3at
UPoE	yes
HDBaseT	yes
Transmission rate up to 10 GBit	IEEE 802.3an

### Connections/interfaces

Connector technology interface 1	IDC-connection
Connector technology interface 2	RJ45-jack
Number of ports interface 2	1
Number of ports interface 2 equipped	1
Number of positions/contacts interface 1	8
Number of positions/contacts interface 2	8P/8C



## Technical Data

### Connections/interfaces

Termination data, solid wire (min. - max.)

Conductor cross section, solid wire	AWG 26/1 - 22/1
Conductor cross section, solid wire	0.128 - 0.324 mm <sup>2</sup>
Conductor diameter, solid wire (bare copper)	0.409 - 0.643 mm
Conductor diameter, solid wire (bare copper)	0.016 - 0.025 in.

Termination data, stranded wire (min. - max.)

Conductor cross section, stranded wire	AWG 26/7 - 22/7
Conductor cross section, stranded wire	0.141 - 0.355 mm <sup>2</sup>
Conductor diameter, stranded wire (bare copper)	0.483 - 0.762 mm
Conductor diameter, stranded wire (bare copper)	0.019 - 0.030 in.

Module plug-in direction 45° downwards

Shield connection flexible contact spring

### Electrical characteristics

Current carrying capacity	max. 1 A
Rated voltage	max. 50 V
Contact resistance	max. 20 mOhm
Through resistance	max. 200 mOhm
Insulation resistance	min. 500 MOhm
Dielectric strength conductor-conductor (secondary)	max. 1000 V DC

### Mechanical characteristics

Cut-out	Modul
Insertion and withdrawal force	max. 20 N
Position/mounting of latch - standard installation position	top
Strain relief	cable tie

### Materials and material properties

Material - Housing	GD-Zn (zinc die-cast)
Material - Surface mount frame	ABS, impact resistant
Material - Cover part(s)	ABS
Material - Supporting frame	GD-Zn (zinc die-cast)
Material - Module support	GD-Zn (zinc die-cast)
Material - Label window	ABS, transparent



## Technical Data

### Materials and material properties

Material - Dust protection	ABS
Material - Contact	CuSn (tin bronze)
Material - Contact finish	Ni + Au (nickel-gold)
Material - Shield	GD-Zn (zinc die-cast)

### Environmental conditions

Temperature (min. - max.)	
Temperature - Storage °C	-40 - 70 °C
Temperature - Storage °F	-40 - 158 °F
Temperature - Operating °C	-40 - 70 °C
Temperature - Operating °F	-40 - 158 °F
Electromagnetic measurement	E <sub>2</sub>

### Certifications

GHMT Component	yes
RoHS	compliant
UL listed (file no.)	DUXR.E178484

### The product meets the following standards

Generic cabling systems	
General requirements	ISO/IEC 11801 Ed.2.2: 2011-06   DIN EN 50173-1: 2011-09
Connectors for electronic equipment	
Free and fixed connectors	DIN EN 60603-7-51:2011-01
Connectors for electronic equipment - Tests and measurements	
Test schedule for connectors	DIN-EN 60512-99-001: 02-2013, Pg. UEL1
Endurance tests	IEC 60512-9-3: 03-2009

### Classifications

ETIM 5.0	EC001264
----------	----------



## Data sheet

Page 5/7

E-DAT modul 1 port AP Cat.6<sub>A</sub>, pure white

P/N

1309110002-E

EAN 4250184105534

2016-21-01

## Technical Data

## Packing details

Type of packaging	10 pc(s) / box
Packaging unit - Weight (gram)	1435.00 g
Packaging unit - Weight (pound)	3.16 lb
Packaging dimension (W x H x D)	340.00 x 266.00 x 126.00 mm
Packaging dimension (W x H x D)	13.39 x 10.47 x 4.96 in.



Data sheet

Page 6/7

**E-DAT modul 1 port AP Cat.6A, pure white**

P/N

1309110002-E

EAN 4250184105534

2016-21-01

**Accessories**

P/N	Designation
130829-02-I	Surface mount frame 85 x 85 mm - Single
899650-01	Label sheet for wall outlets
820395-0102-I	Cover plates for E-DAT modul wall outlets
820394-0105-I	Dust protection covers for wall outlets yellow
820394-0106-I	Dust protection covers for wall outlets blue
820394-0107-I	Dust protection covers for wall outlets green
820394-0108-I	Dust protection covers for wall outlets red



Data sheet  
**E-DAT modul 1 port AP Cat.6A, pure white**

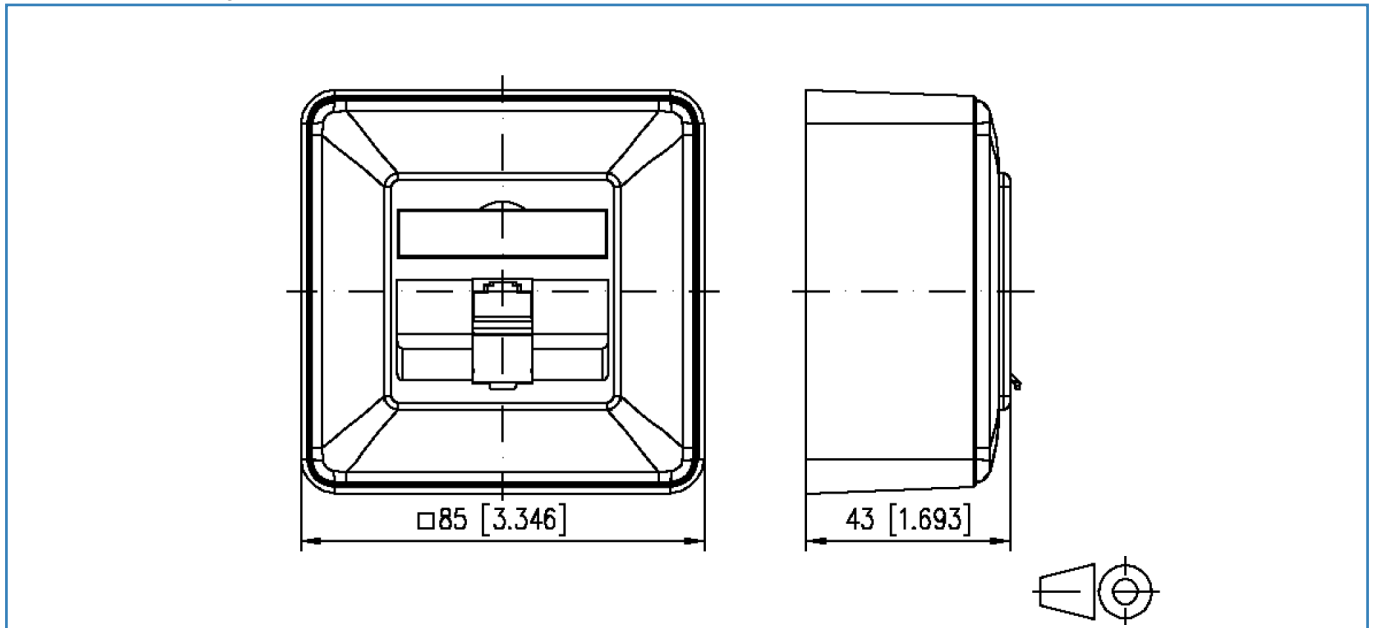
Page 7/7

P/N  
 1309110002-E  
 EAN 4250184105534

2016-21-01

**Illustrations**

Dimensional drawing



Wiring

