

F16

IP65 Rated Outdoor Fingerprint Access Control Terminal



F16 is a fingerprint access control terminal with an integrated proximity reader (EM). It is IP65 rated which enables it to be resistant from water, dust and other outside damages. It can be installed easily on your network having both Ethernet and RS485 serial ports. Weigand-OUT port allows connection of reader to ZK or any 3rd party access control panels panel. Using Weigand-In port, you can connect to any card readers for authentication at both entrance and exit.

The PULL firmware and ZKAccess3.5 are the standard configurations which make F16 more versatile and powerful. Users can be registered on the device by the Management Card or through connecting with ZKAccess3.5 software by TCP/IP.



Rugged Structure for Outdoor Installation and Extra Durability

- IP65 rated waterproof and dustproof structure



Slim and Elegant Design

- One of the world's smallest fingerprint terminals
- Sleek and slim design for narrow spaces



Fast and Accurate Fingerprint Algorithm

- 1 touch a-second user recognition
- Store 3,000 fingerprint templates, 30,000 cards and 100,000 transactions



Easy Installation and Connectivity

- Wiegand input & output
- Network interface by TCP/IP or RS485



Full Access Control Features

- Anti-passback
- Access control interface for 3rd party electric lock, door sensor, exit button, alarm



For Software Developers

- Free PULL SDK and development tools are available for developers/partners

Specifications

Fingerprint Sensor	ZK Optical Sensor
Algorithm Version	ZKFinger V10.0
Communication	TCP/IP, RS485
Fingerprint Capacity	3,000 Fingerprints
Card Capacity	30,000 Cards
Log Capacity	100,000 Transactions
RF Card	EM(standard)/Mifare(optional)
Authentication	Finger/Card
Wiegand Signal	Wiegand input&output
Ingress Protection Rate	IP65
Operating Voltage	12VDC 3A
Operating Temperature	0~ 45 °C (32°F ~ 113°F)
Dimension	62.5mm×185mm×41.5mm (W×H×D)

Optional Accessories



FR1200



RFID Reader



Exit Button



Electric Lock

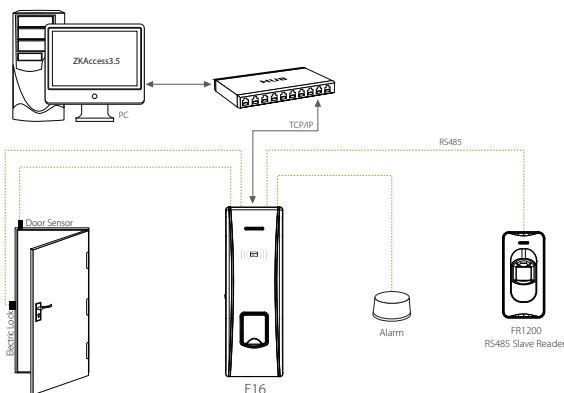


Alarm

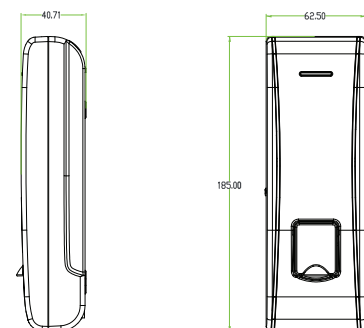


Sensor

Configuration



Dimensions (mm)



ZKTeco (PTY)Ltd

Tel: +27 12 259 1047
 E-mail: sales@zkteco.co.za
 www.zkteco.co.za

Global Offices:

USA: + 1 732-412-6007
 EU: +34 916532891
 Brazil: +55 31 2515-8326
 Thailand: +66-027199154
 Mexico: +52-55-52928418

South Africa: +27 12 259 1047
 Egypt: +201110444134
 Dubai: +971 4 6091 310
 India: +91 8123536788
 Indonesia: +62 21 2921 8949

Vietnam : +84-0169-5813007
 Philippines: +63 9084118832
 Russia: +8 915 178-46-81