

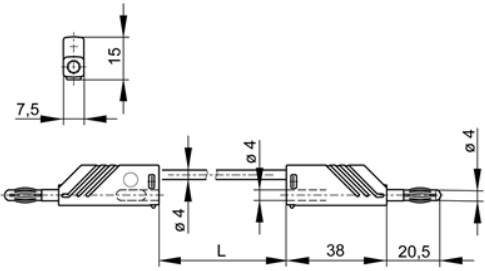


datasheet for MLN SIL 100/1
 article number: 934092103



| | |
|---|---|
| product description: | order number: 934 092-103 |
| description: | Measuring lead, at either end 4 mm diameter plug with caged spring and 4 mm diameter socket for tower construction. Nickel-plated copper beryllium contact spring. Highly flexible, double insulated stranded lead, grip and lead shatter-proof. Built in colour indicator for easy identification of insulation damages. |
| typ: | MLN SIL 100/1 gelb/yellow |
| system: | 4mm system |
| order number: | 934 092-103 |
| color |  |
| other color versions: |  |
| technical data | |
| measurement category acc. to IEC 61010: | CAT I |
| pin dimensions | 4 mm |
| type of contact: | pin (spring loaded) |
| cable type: | LEH-XY |
| cable specification: | most flexible lead, high temperature resistant |
| wire stranding: | 259 x 0.07 mm |
| rated voltage: | 30 VAC / 60 VDC |
| rated current: | 16 A |
| Please consider derating curve! | |
| contact resistance: | 22 mOhm |
| cable length: | 100 cm |
| conductor size: | 1 mm ² |
| cable material: | silicone |
| cable color: | yellow |
| material | |
| contact material: | contact pin: brass contact spring: copper - beryllium |
| contact surface material: | nickel |
| housing material: | PA |
| environmental conditions: | |
| temperature range: | -15 °C to +70 °C |

| | |
|----------------------------------|--|
| inflammable class: | |
| housing (basic material): | UL 94 V - 2 |
| drawing |  |

