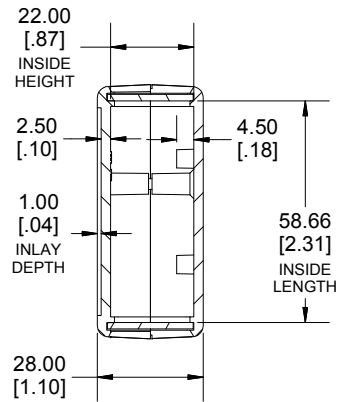
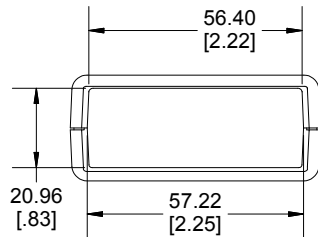
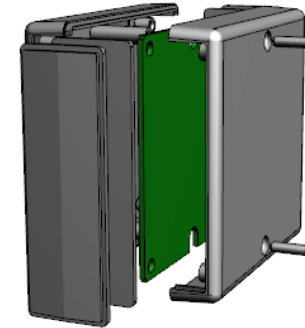


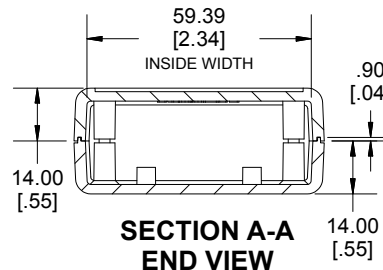
**TOP VIEW**



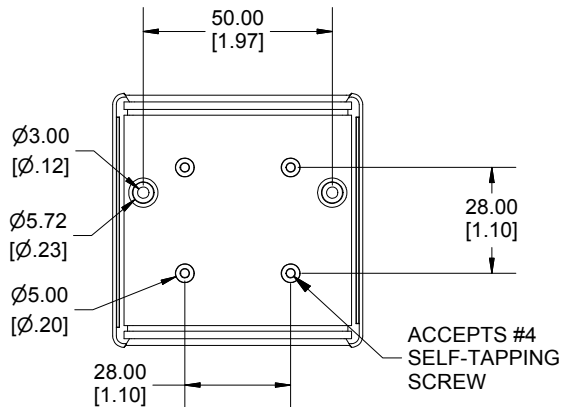
**SECTION B-B  
SIDE VIEW**



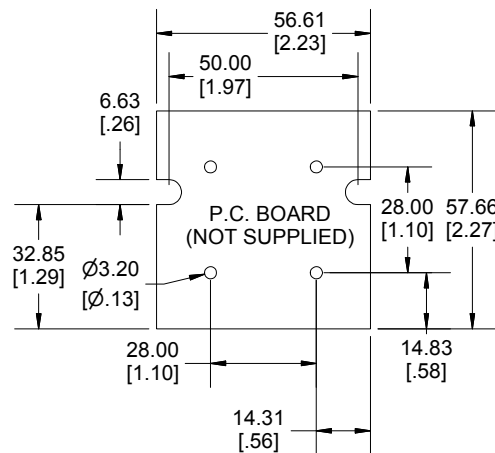
**END VIEW**



**SECTION A-A  
END VIEW**



**INSIDE BOTTOM**



Enclosures can be Factory Modified (Milling, Drilling, Printing etc.)  
Contact Factory (modshop@hammondmfg.com) for quotes  
Solid models of this enclosure available in STEP or PARA.  
(Part number and text placement/orientation on our products are subject to change,  
we do not recommend using them as a locating reference for modification purposes)

<b>NOTE</b>		
Enclosure molded from GP ABS (UL94-HB) plastic.		
Purchased assembly includes top and bottom cover, 4 plastic panels for front and rear (2 types - flat and contoured) and 2 cover screws.		
<b>Recommended Cover Screw Torque - 57lbf-in ( 40cN-m)</b>		
<b>1593</b>		
<b>1593J Regular Enclosure</b>		
Black Enclosure	1593KBK	
Grey Enclosure	1593KGY	
Translucent Blue Enclosure	1593KTBU	
<b>ACCESSORIES</b>		
Cover Screws #4 X 3/4" Self-Tapping (100 Pkg)	1593QS100 (Silver)	
	1593QS100BK (Black)	
P.C. Board Screws #4 X 1/4" Self-Tapping	1593ATS50 (Pkg 50)	
	1593ATS100 (Pkg 100)	
Nylon Belt Clip	1599CLIP (Black)	
	1599CLIPGY (Grey)	
1593K STD FLAT PANEL (SINGLE PANEL)	Black	1593PLBK-BULK
	Grey	1593PLGY-BULK
	Translucent Blue	1593PLTBU-BULK
	Infrared	1593PIR10
1593K STD CONTOURED PANEL (SINGLE PANEL)	Aluminum	1593PAL10
	Black	1593KCLBK-BULK
	Grey	1593KCLGY-BULK
	Translucent Blue	1593KCLTBU-BULK

Dimensions:  
mm  
[inches]

