

1

2

3

4

5

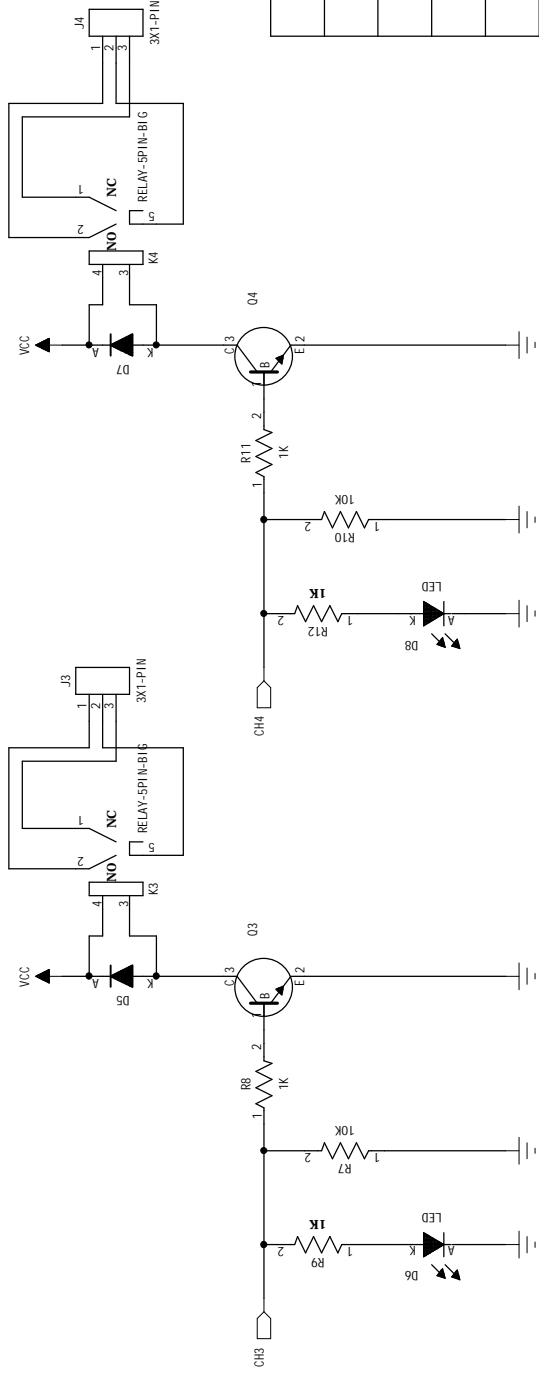
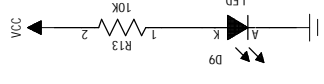
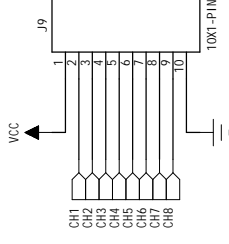
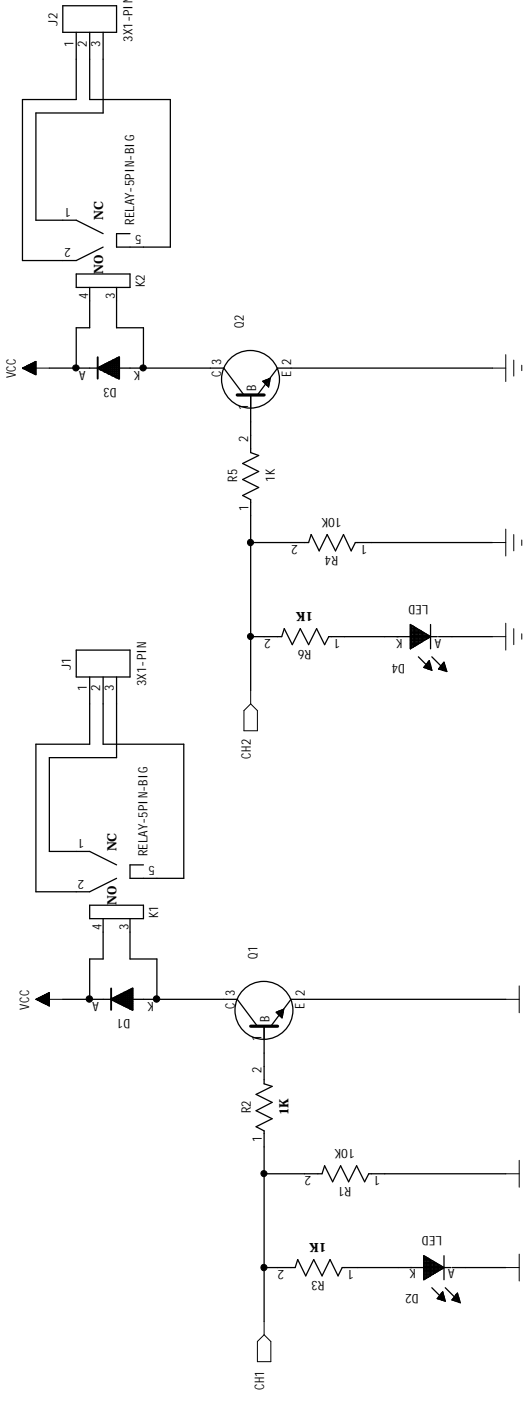
6

D

C

B

A



Company:	
Project Name:	Rev:
Sheet Name: <undefined>	
Designed by	
File Name: relay 8ch V10.sch: B	
Date :	Page Num: 1 of 2

D

C

B

A

