


Product information

0986 EMC 102

Industrial Connecting Solutions:I/O Modules:I/O Modules Activ - Stand Alone:Industrial Ethernet:Accessories:Attachable Connectors:0986 EMC 102

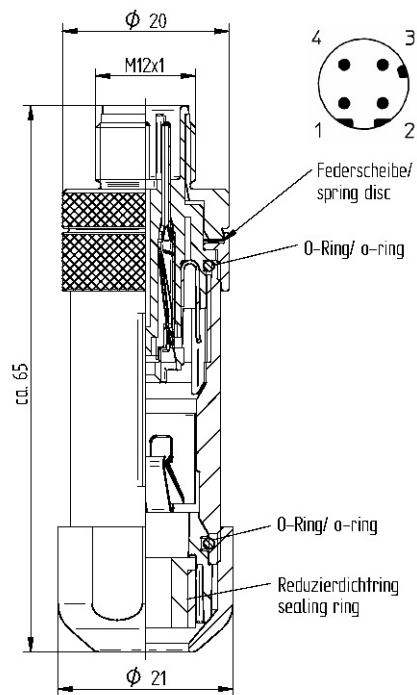
<https://e-catalog.hirschmann.com:443/link/57078-24228-255441-219791-247858-277551-247867-277308/en/conf/ui/istate>

Name	0986 EMC 102
	
	Field attachable connector, M12 male connector with threaded joint, shieldable, assembling with spring-type terminals, 4 poles, D coding, especially suitable for Industrial EtherNet data cable 0985 342 000/...M
Delivery informations	
Availability	available
Product description	
Type	0986 EMC 102
Order No.	71327
Description	Field attachable connector, M12 male connector with threaded joint, shieldable, assembling with spring-type terminals, 4 poles, D coding, especially suitable for Industrial EtherNet data cable 0985 342 000/...M
Note	The application of these products in harsh environments should always be checked before use.
Color of housing	silver
Number of contacts	4
Product characteristics	EMC resistance, Oil resistance
Classification	
Belden class	Attachable Connectors
Belden brand	Lumberg-Automation
Mechanical data	
Type of plug-in contact	Male connector
Design of housing	straight
Thread	M12
Design of electrical connection	spring type terminal connection
Coding of the M12 round plug connector	D
Connectable conductor cross-section multiple wire (without sleeve)	0.14 - 0.50 mm ²
connectable conductor cross-section multiple wire (with sleeve)	0.14 mm ²
Screw joint for cable for external cable diameter	4 mm ... 9 mm
Environmental conditions	
Environmental temperature	-25 °C ... 90 °C
Degree of protection (IP), mounted	IP67
Pollution degree	3
Materials	
Housing material / Molded body	GD-ZnAl, pre-coppered and nickel-plated
Contact bearer material	PBT
Contact material	stainless steel
Contact material - Surface refinement	silver-plated and gold-plated
Knurled screw / nut material	CuZn, nickel-plated
Sealing material	FKM
Approvals	
RoHS 2002/95/EG compliant	yes
Electrical data	
Contact resistance	≤ 5 mΩ
Rated current I _n	4 A at 40°C
Nominal voltage	120 V
Rated voltage	125 V

Industrial Connecting Solutions:I/O Modules:I/O Modules Activ - Stand Alone:Industrial Ethernet:Accessories:Attachable Connectors:0986 EMC 102

<https://e-catalog.hirschmann.com:443/link/57078-24228-255441-219791-247858-277551-247867-277308/en/conf/ui/state>

Test voltage	1.5 kV eff./60 s
Insulation resistance	> 1 GΩ

Picture
Drawing

Belden Deutschland GmbH

Im Gewerbepark 2
 58579 Schalksmühle
 Germany
 Phone: +49 7127/14-1806
 E-Mail: icos-sales@belden.com

The information published in the websites has been compiled as carefully as possible. It is subject to alteration without notice in technical as well as in price-related/commercial respect. The complete information and data were available on user documentation. Mandatory information can only be obtained by a concrete query.