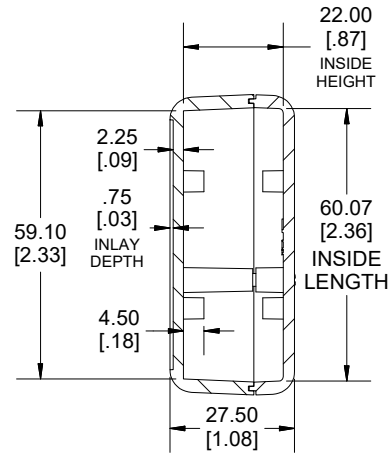
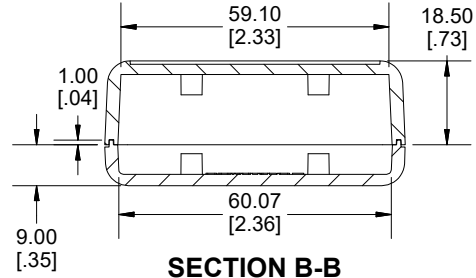
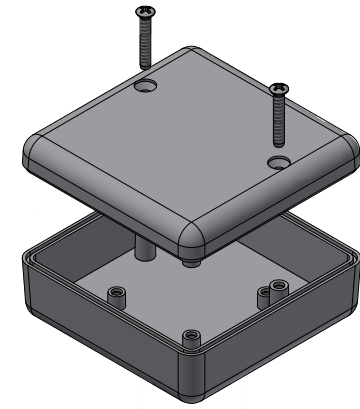


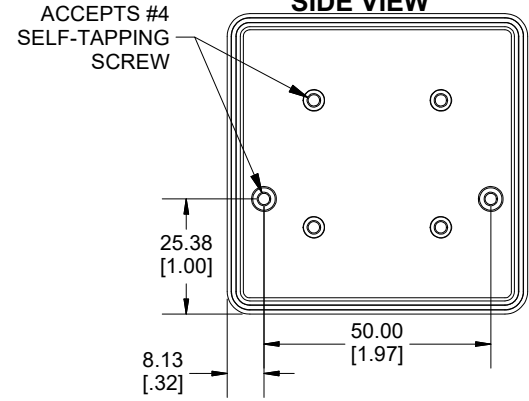
TOP VIEW



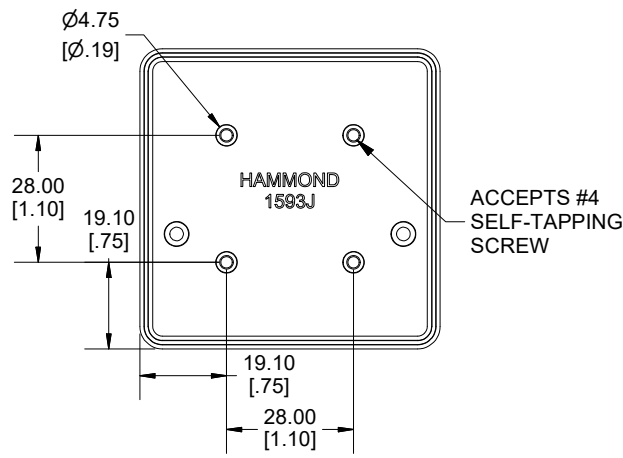
**SECTION A-A
SIDE VIEW**



**SECTION B-B
END VIEW**



INSIDE TOP



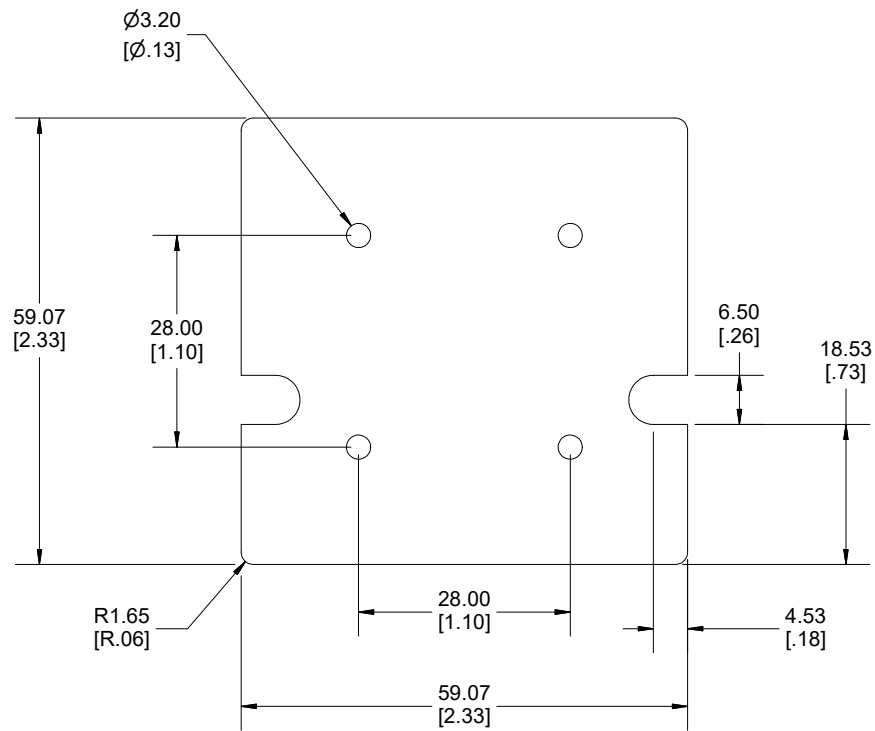
INSIDE BOTTOM

Enclosures can be Factory Modified (Milling, Drilling, Printing etc.)
 Contact Factory (modshop@hammfg.com) for quotes
 Solid models of this enclosure available in .stp or .x_t
 (Part number and text placement/orientation on our products are subject to change,
 we do not recommend using them as a locating reference for modification purposes)

NOTE	
Enclosure molded from GP ABS (UL94-HB) plastic. Purchased assembly includes top and bottom cover, and 2 cover screws.	
Recommended Torque: Cover screws - 40 cN-m [57 ozf-in] Internal mounting screws - 20-30 cN-m [29-42 ozf-in]	
1593	
1593J Regular Enclosure	
Black Enclosure	1593JBK
Grey Enclosure	1593JGY
Translucent Blue Enclosure	1593JTBU
ACCESSORIES	
Cover Screws #4 X 3/4" Self-Tapping (100 Pkg)	1593QS100 (Silver) 1593QS100BK (Black)
P.C. Board Screws #4 X 1/4" Self-Tapping	1593ATS50 (Pkg 50) 1593ATS100 (Pkg 100)
	1599CLIP (Black) 1599CLIPGY (Grey)
Nylon Belt Clip	

Dimensions:
 mm
 [inches]

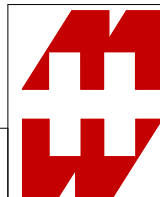
**HAMMOND
 MANUFACTURING®**
1593J
www.hammondmfg.com



MAX RECOMMENDED PCB SIZE

*(NOT SUPPLIED WITH ENCLOSURE,
NOT AVAILABLE FOR PURCHASE)*

Dimensions:
mm
[inches]



**HAMMOND
MANUFACTURING.**

DESIGN RESOURCE

1593J PCB

www.hammondmfg.com