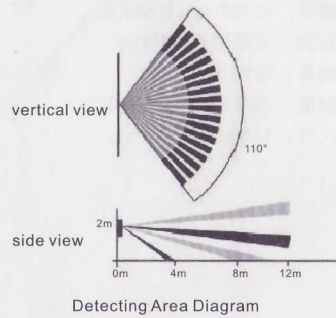


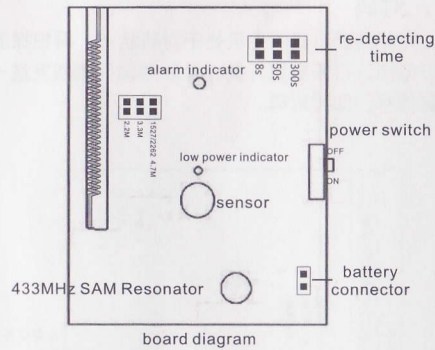
Wireless PIR Detector User Manual

1. Brief introduction

This product is a special home and business PIR detector, adopting the latest technology of smart logic IC and high-performance sensor to achieve high stability and avoid alarm failure.



①

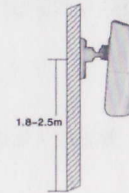


- Re-detecting time means the interval time between two continuous alarms. This could be adjusted.
- Adjust re-detecting time to 8 seconds, 50 seconds, or 5 minutes.
 - 1 short connect: 8 seconds (default)
 - 2 short connect: 50 seconds
 - 3 short connect: 5 minutes
- Coding format: 1527/2262 selectable. Default: 2262.
- Oscillating resistance: 2.2M/ 3.3M/ 4.7M selectable. Default: 4.7M.

②

2. Installation

- Detectors should be installed on the wall 1.8-2.5m above the ground.
 - Adjust detecting angle, try to make it face window and keep it vertical with walking direction.
 - Keep it away from heat, air conditioners and air convection areas (or close the door/window when arming).
 - No obstacle or floating object is allowed (such as flower, grass, clothes and curtain that will be easily be waft by wind) in the detecting area.
 - Detectors should be installed firmly without any waving and shaking.
 - Don't install it exposed to direct sunlight.
- The above requirements are primary to avoid false alarm and alarm failure, please pay attention when installing.



③

3. Indicator

Alarm indicator on: sensor is triggered and send alarm signal

Low power indicator on (red): battery is in low power status, please change it.

4. Set the sensor with alarm panel

- Set the alarm panel to sensor pairing status (please refer to the alarm panel manual), then trigger the detector by hand (or walking in front of the detector) to make it send wireless signal to the alarm panel.
- After successful setting, install the PIR detector. Please pay attention to the installation height and detecting area. Make sure the switch is powered on after adjusting angle and height.

5. Technical Parameters

Sensor: Passive IR sensor with low noise
 Working voltage: DC9V (1604S 6F22)
 Static current: <30uA
 Alarm current: <20mA
 Working Temperature: +5~+35°C
 Humidity: ≤90% (no fog)
 Transmitting frequency: 433/315±0.5MHZ
 Transmitting distance: no obstacle 100M
 Detecting distance: 10M max
 Detecting angle: Horizontal 110°, Vertical 60°
 Coding method: PT2262 or EV1527 optional
 Dimension: 110*70*40mm

④