



SPECIFICATIONS SHEET

PRODUCT TYPE : MAGNETIC TRANSDUCER

PRODUCT SERIES : SCDX

**DESCRIPTION : MT TRANSDUCER 3V SMD PPS SP
1) TUBE PACKING 2) RoHS**

COLOR : GREY

ELECTRICAL SPECIFICATIONS

MODEL NO.		SCDX03CLF - MP
OPERATING VOLTAGE RANGE (V)		2.0 ~ 4.0
RATED VOLTAGE (V)		3.0
+ MAX. RATED CURRENT (mA)		70.0
COIL RESISTANCE (Ω)		16.0 ± 4.5
COIL IMPEDANCE (Ω)		40.0
+ MIN. SOUND OUTPUT AT 10 cm (dBA)		87.0
RESONANT FREQUENCY (Hz)		3000
OPERATING TEMPERATURE (° C)		- 30 ~ + 70
TERMINAL		SMD
HOUSING MATERIAL		PPS
WEIGHT (g)		2.0

+ Value applying rated voltage resonant frequency, 1/2 duty, square wave

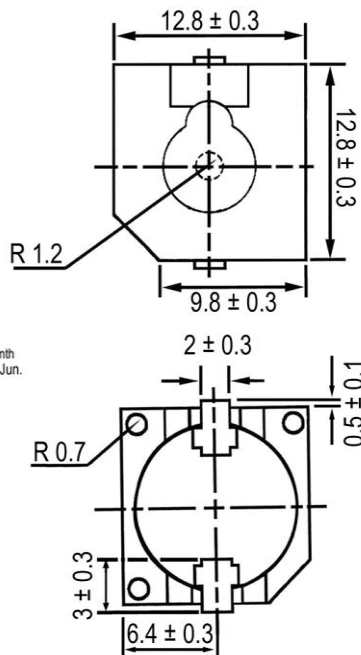
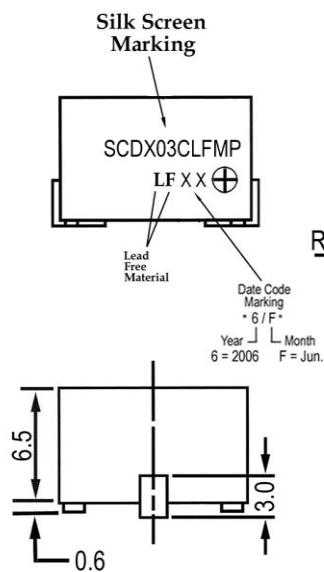
* Value applying resonant frequency, 1/2 duty, square wave, measuring current 60uA

DIMENSIONS

UNIT : mm

SIDE VIEW (1)

TOP VIEW



SIDE VIEW (2)

BOTTOM VIEW

Approved By : 
Date : 16-Jun.-2006



Prepared By : 
Date : 16-Jun.-2006



Modify :	Date :	By :