



SPECIFICATIONS SHEET

PRODUCT TYPE : PIEZO BUZZER

PRODUCT SERIES : DB-E188

DESCRIPTION : PZ BUZZER TWO 24VDC L/W ABS RoHS

COLOR : IVORY

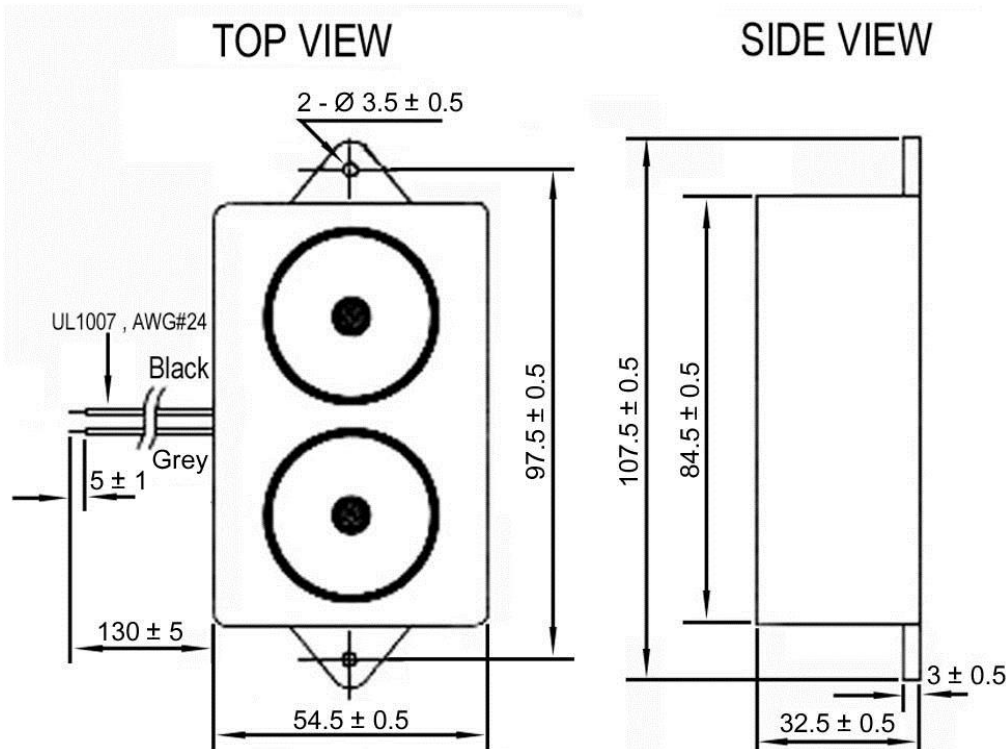
ELECTRICAL SPECIFICATIONS

MODEL NO.		18T3240LFLA
OPERATING VOLTAGE RANGE (VDC)		16.0 ~ 28.0
RATED VOLTAGE (VDC)		24.0
* MAX. RATED CURRENT (mA)		120
* MIN. SOUND OUTPUT (dBA/1 m)		105.0
* FREQUENCY (Hz)		(2600 ~ 3100) ± 500
TONE NATURE		TWO
OPERATING TEMPERATURE (°C)		- 20 ~ + 60
TERMINAL		LEADWIRE (UL1007, AWG#24)
HOUSING MATERIAL		ABS
WEIGHT (g)		90.0

* Value applying at rated voltage

DIMENSIONS

UNIT : mm



Approved By : 
Date : 27-Jan.-2011

Prepared By : 
Date : 27-Jan.-2011

Modify :	Date :	By :
Modify draw add tolerance	27-Jan-11	Joey