

KOCOM

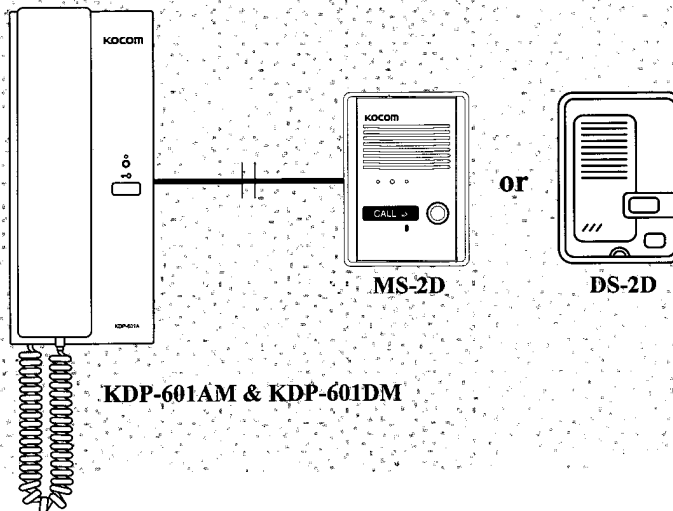
DOOR PHONE

KDP-601AM & KDP-601DM Manual for Operation and Installation

◆ Features

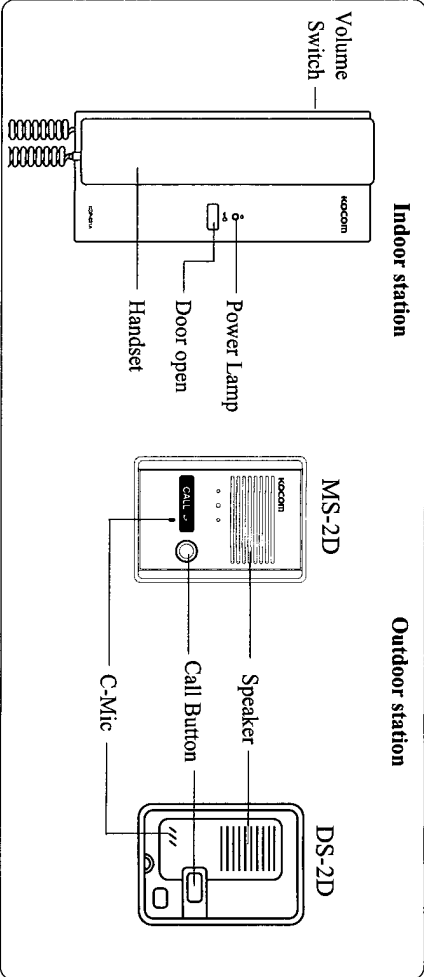
- Gentle chime sound.
- KDP-601AM : AC 110V / 220V
KDP-601AM(Saudi arabia) : AC 220V
- KDP-601DM : Used DC 6V(4 Piece of 1.5V batteries)
: Used DC 12V / 300mA(External Power Source)
- Communication range: ϕ 0.65 mm wire, 300m line
- Can be combined with door opener.
- Easily mounted on wall, desk

Thank you very much
for purchasing KOCOM
Doorphone.
Please read this manual
thoroughly to ensure
correct usage,
before operating.

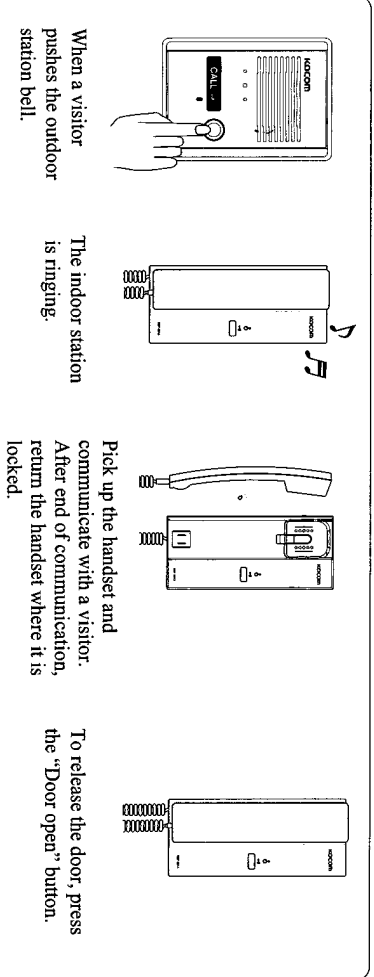


KOCOM CO.,LTD.

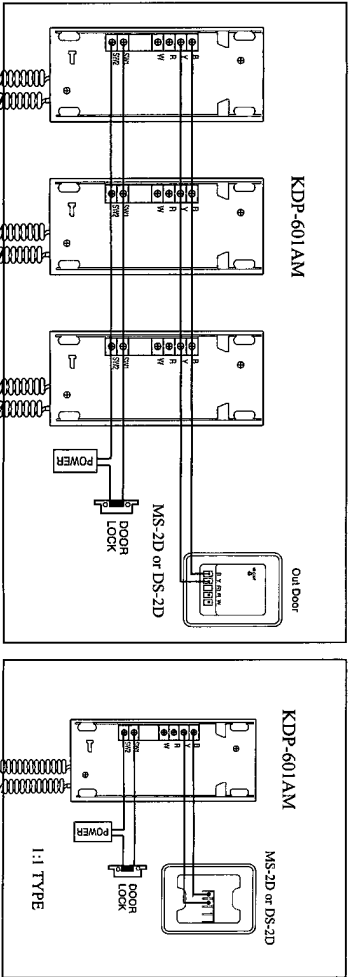
Name of Each Part



How to operate (Instruction for operating)

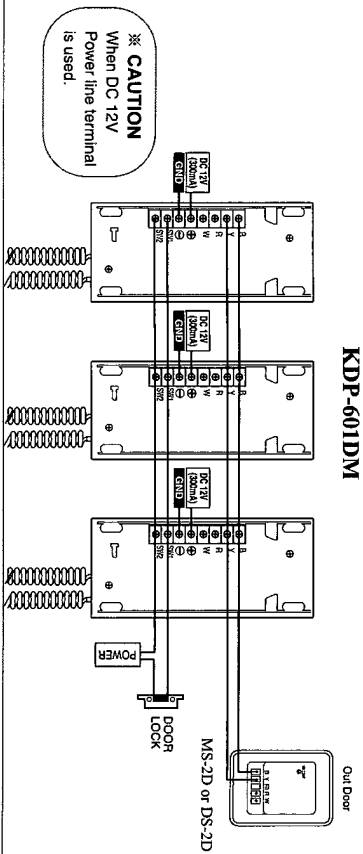


Wiring Diagram

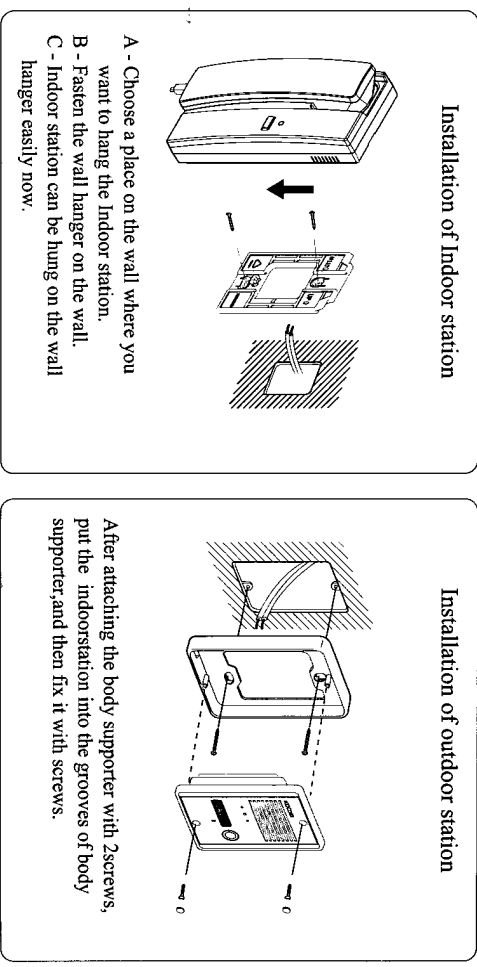


- Mains plug is used as the disconnect device, the disconnect device shall remain readily operable.
 - The apparatus shall not be exposed to dripping or splashing and that no objects filled with liquids, such as vases, shall be placed on the apparatus.

Wiring Diagram



Installation



A - Choose a place on the wall where you want to hang the Indoor station.
 B - Fasten the wall hanger on the wall.
 C - Indoor station can be hung on the wall hanger easily now.

After attaching the body supporter with 2screws, put the indoorstation into the grooves of body supporter, and then fix it with screws.

Specifications

Description	KDP-601AM	KDP-601DM
Electric source	AC 110V / AC220V (Saudi arabia) : 220V	BATTERY: 6V (4 Piece of 1.5V batteries) LINE TERMINAL: 12V / 300mA
Consumption	Un load: 0.5W Inload: 5W	Un load: 0.25mW Inload: 1.3W
Signal Sound	Chime	Chime
Wiring	2Wired polarity	2Wired polarity
Range	300m(φ 0.65mm)	300m(φ 0.65mm)

Component

- Master station for indoor-use
- Out door pannel
- Wall hanger for master station