

# 600H and 600NH series

## Toggle switches - high amperage

*Distinctive features and specifications*



**UG1410A**

### Construction

Terminal and contact support are manufactured from a single piece of metal. The contacts are resistance-welded to the terminal for increased mechanical strength.

### Rating

These switches are suitable for motor loads and power applications up to 15A 250VAC or 10A 400VAC

### Metal or insulated lever

### UL, CSA and NF-VDE (EN 61058-1) approved

### ELECTRICAL SPECIFICATIONS

- Max. current/voltage ratings : see tables below
- Peak current : 30A max. during 1/2 sine, 250VAC
- Initial contact resistance : 10 mΩ max.
- Insulation resistance : 1.000 MΩ min. at 500VDC
- Dielectric strength :  
2.000 Vrms 50 Hz min. between terminals  
2.500 Vrms 50 Hz min. between terminals and frame
- Electrical life : 10.000 cycles at full load

#### APPROVED RATINGS

MODELS	FUNCTIONS	600H - 600NH		
		UL	CSA	NF-VDE
		UL 1054	CSA 22-2	EN 61058-1
Single and double pole	ON - OFF (1)	15A 1/2 HP 125-250VAC		10(4)A 400VAC  T 85/55 (600H)
	ON - ON (6)			
	Other (4-5-7-8-9)	10A 1/2 HP 125-250VAC		
Three pole	ON - OFF (1) & ON - ON (6)	15A 1/2 HP 125-250VAC		T 125/55 (600NH)
	Other (4-5-7-8-9)	10A 1/2 HP 125-250VAC		

- FOR INFORMATION-  
Max. current/voltage rating w. resistive load

Functions	Ratings	Electrical life
ON - OFF ON - ON	15A 250VAC 10A 24VDC 15A 12VDC	10.000 cycles
ON OFF ON	15A 250VAC 5A 24VDC	6.000 cycles 10.000 cycles
Other	15A 125VAC 12A 250VAC 5A 24VDC	10.000 cycles

#### MATERIALS

- Case : polyester UL94-V0
- Actuator :  
- 600H : brass, nickel plated  
- 600NH : black polyamide
- Bushing : brass, nickel plated
- Contacts : silver/nickel alloy

#### GENERAL SPECIFICATIONS

- Torque : 1,50 Nm (1.10 Ft.lb) max. applied to nut
- Panel thickness : 4,5 mm (.177) max. between 2 nuts
- Operating temperature : -20°C to +55°C

The company reserves the right to change specifications without notice.

# 600H and 600NH series

Toggle switches - high amperage

Specifications

## AGENCY APPROVALS



**Availability** : see chart on previous page.

**Marking** : approved models are standard marked.

## MOUNTING RECOMMENDATIONS

### Connection

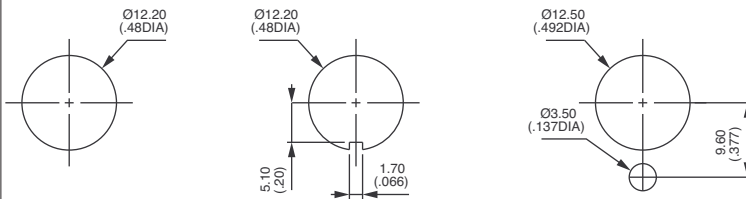
- For quick-connect terminals, use 6,3 x 0,8 mm normalized female connectors.
- For screw terminals, use :  
either 1,5 mm<sup>2</sup> or 2,5 mm<sup>2</sup> rigid wires,  
or prepared stripped and tin plated flexible wires,  
or prepared flexible wires with crimped termination per EN 50027 (DIN 46228)

### Ground connector

Compulsory if the panel is not metallic or not connected to ground. Should also be used when front face nut is of plastic material.

Order separately, see section I.

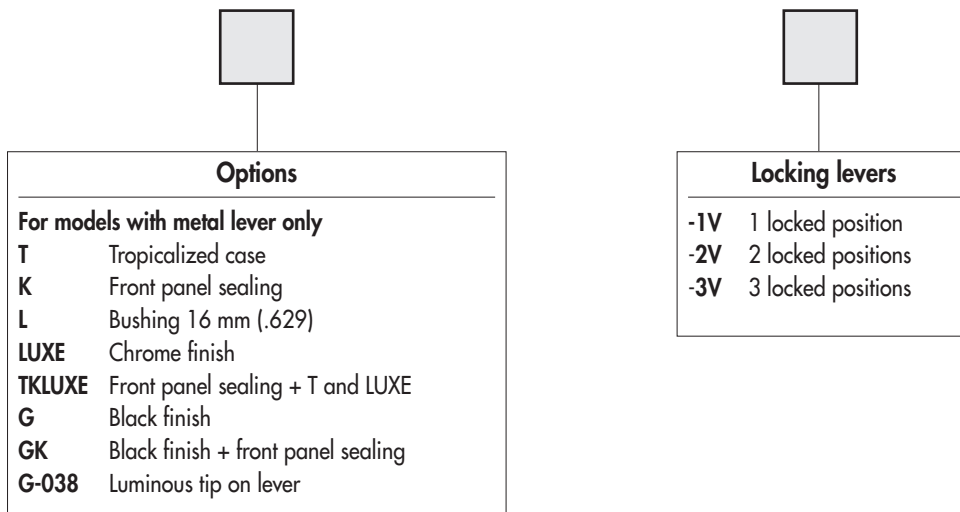
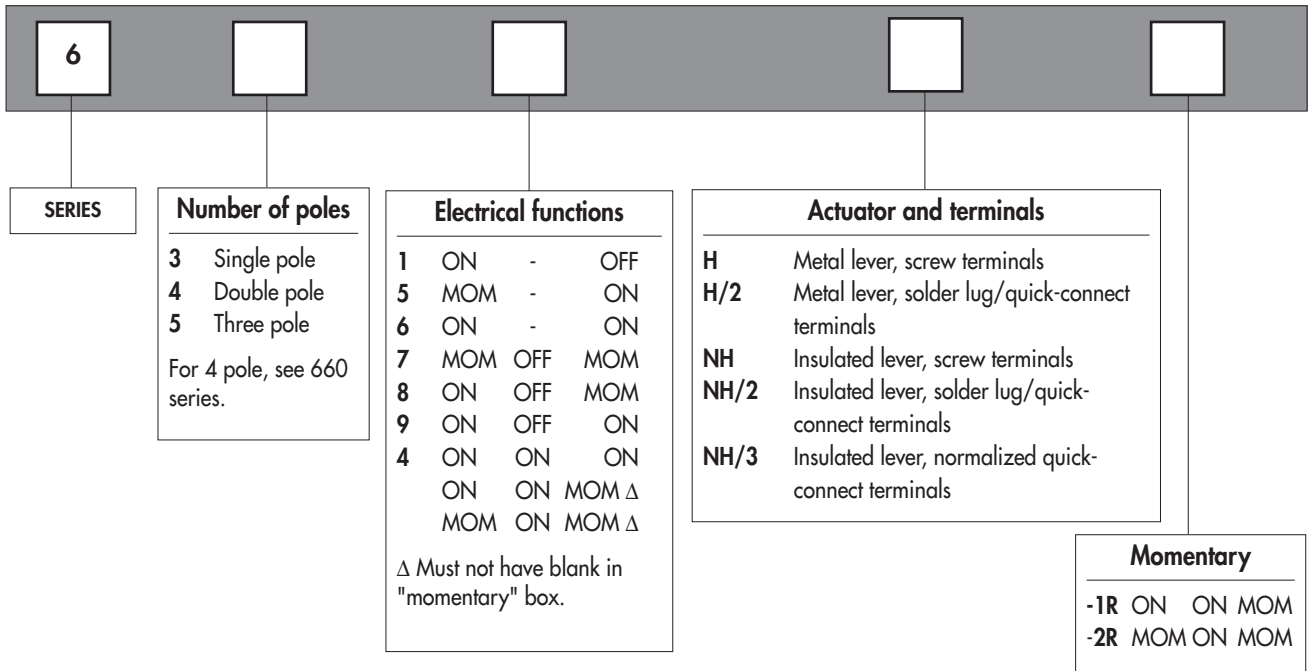
## PANEL CUT-OUT



# 600H and 600NH series

## Toggle switches - high amperage

### Overview



### ABOUT THIS SERIES

**Dimensions** : first dimensions are in mm while inches are shown as bracketed numbers.



**NOTICE** : please note that not all combinations of above numbers are available. Refer to the following pages for further information.

**Security caps** are available to prevent inadvertent lever operation. They are presented in section I.



**Sealing boots** are available on 600H series to protect the switches against dust and water. They are presented in section H.



**Mounting accessories** : standard hardware supplied with all models :

- 600H and series : 1 hex nut U166 and 1 knurled nut U411
  - 600NH series : 1 hex nut U166 and 1 knurled nut U522
- Standard and special hardware are presented in section I.



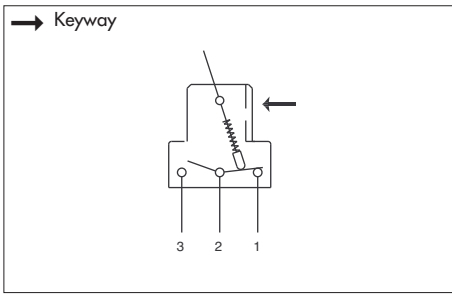
**Packaging unit** : 25 pieces.



# 600H series

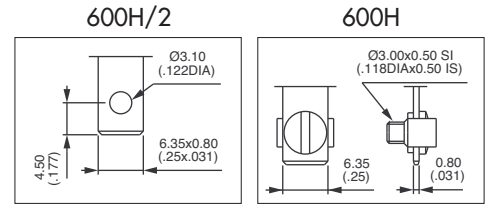
Toggle switches - high amperage - metal lever

Solder lug/quick-connect terminals - screw terminals



- 2 and 3 maintained or momentary positions
- Solder lug/quick-connect terminals 6,35 x 0,8 (.250 x .031) or screw terminals + clamp
- 1, 2 and 3 pole configurations
- Normalized quick-connect terminals (/3) optional. On request.

A = Angle of throw



MODEL STRUCTURE

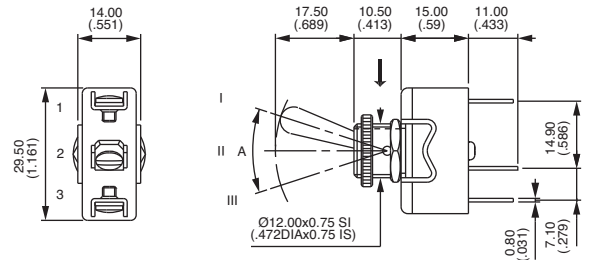


## Single pole



		A	III	II	I
Solder lug	Screw		2-1		2-3
631H/2	631H	30°	ON	-	OFF
635H/2	635H	26°	MOM	-	ON
636H/2	636H	30°	ON	-	ON
637H/2	637H	30°	MOM	OFF	MOM
638H/2	638H	36°	ON	OFF	MOM
639H/2	639H	36°	ON	OFF	ON

→ Keyway



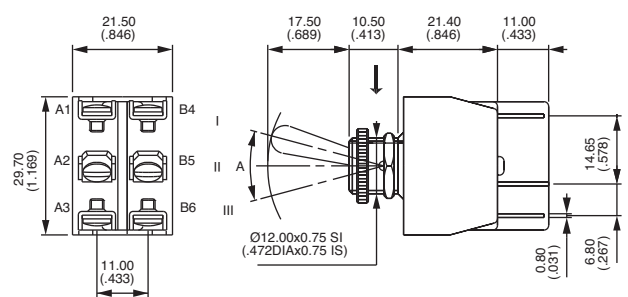
Angle of throw with K sealing option :  
functions 1, 5, 6, 7 : 26° - functions 8, 9 : 32°

## Double pole



		A	III	II	I
Solder lug	Screw		2-1		2-3
641H/2	641H	26°	ON	-	OFF
644H/2	644H*	33°	ON	ON	ON
644H/2-1R	644H-1R*	33°	ON	ON	MOM
644H/2-2R	644H-2R*	33°	MOM	ON	MOM
645H/2	645H	26°	MOM	-	ON
646H/2	646H	26°	ON	-	ON
647H/2	647H	26°	MOM	OFF	MOM
648H/2	648H	26°	ON	OFF	MOM
649H/2	649H	32°	ON	OFF	ON

→ Keyway



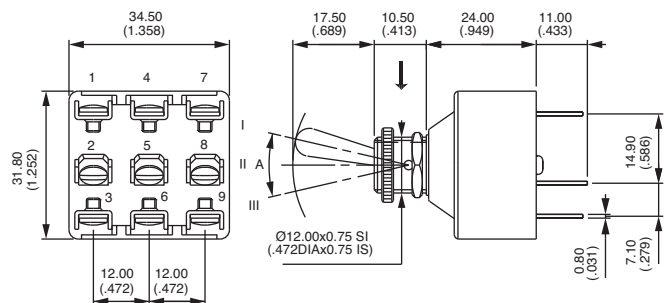
\* Function 4 : SP in DP case - see end of catalogue.

## Three pole



		A	III	II	I
Solder lug	Screw		2-1		2-3
651H/2	651H	24°	ON	-	OFF
655H/2	655H	15°	MOM	-	ON
656H/2	656H	24°	ON	-	ON
657H/2	657H	24°	MOM	OFF	MOM
658H/2	658H	24°	ON	OFF	MOM
659H/2	659H	28°	ON	OFF	ON

→ Keyway

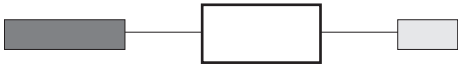


# 600H series

Toggle switches - high amperage - metal lever

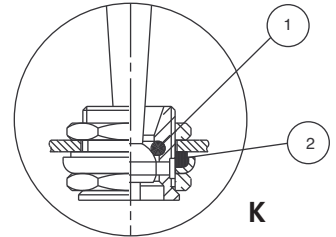


## OPTIONS FOR 600H SERIES ONLY

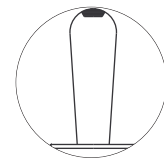


Complete above box with desired options in the same order as below

- T** Tropicalized diallylphthalate case (-40°C to +85°C)
- K** Front panel sealing by 1 O-ring and sealing washer. Protects the switch against water and dust. Panel seal withstands 1 bar pressure and remains sealed even when switch is operated
- L** Special threaded bushing, length 16 mm (.629)
- LUXE** Chrome plated lever and cap nut U117
- TK LUXE** Options T, K and LUXE.
- G** Black finish on bushing, lever and nuts. Includes tropicalization (option T)
- GK** Front panel sealing by O-ring and sealing washer (as described in option TK LUXE) + option G
- G-038** Option G + fluorescent tip on lever. White fluorescent tip becomes luminous when submitted to ultra violet rays.



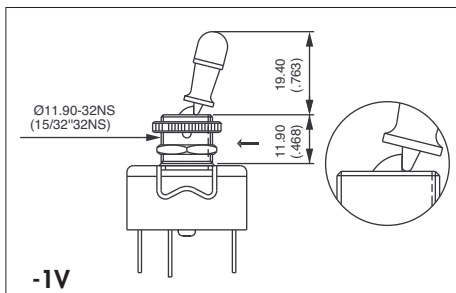
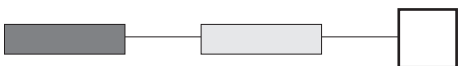
① O-ring ② Sealing washer



038

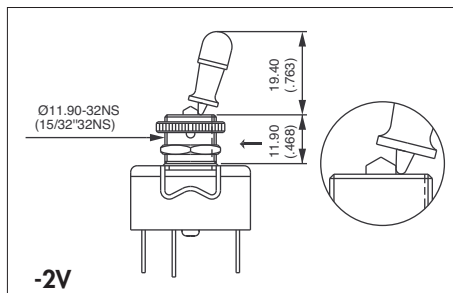
## LOCKING LEVERS (1 and 2 pole models)

For 3-pole models, refer to 6000 series.



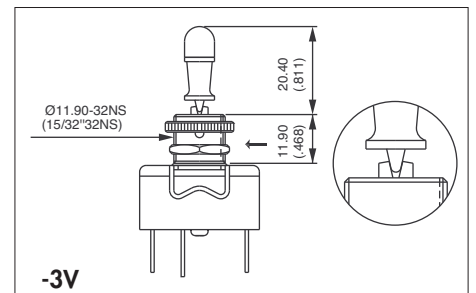
-1V

1 locked position



-2V

2 locked positions



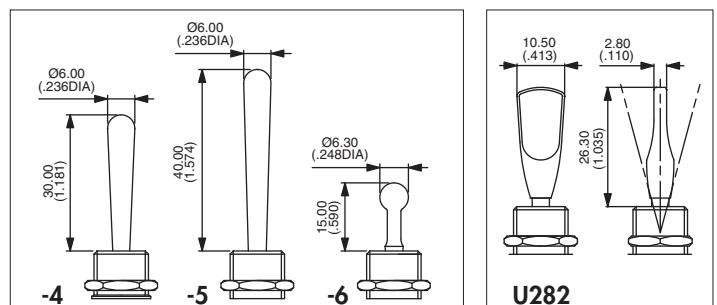
-3V

3 locked positions

→ Keyway

## ACTUATOR OPTIONS (1 and 2 pole models)

- 4 30 mm (1.181) long actuator
- 5 40 mm (1.574) long actuator
- 6 Retro style actuator (gold plated or chrome plated : on request)
- Ergonomic flat plastic actuator : add U282 at the end of switch model number.

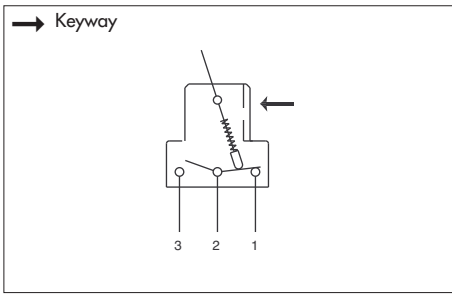




# 600NH series

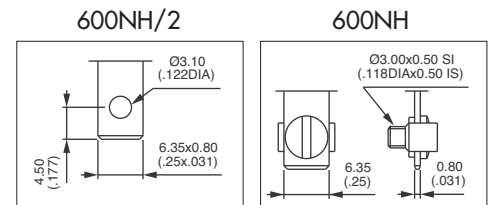
Toggle switches - high amperage - insulated lever

Solder lug/quick-connect terminals - screw terminals



- 2 and 3 maintained or momentary positions
- Solder lug/quick-connect terminals 6,35 x 0,8 (.250 x .031) or screw terminals + clamp
- 1, 2 and 3 pole configurations
- Normalized quick-connect terminals (/3) optional. On request.

A = Angle of throw

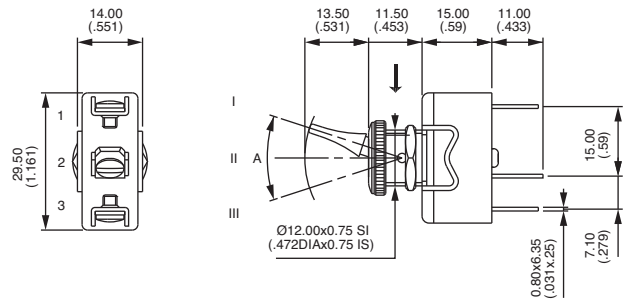


## Single pole

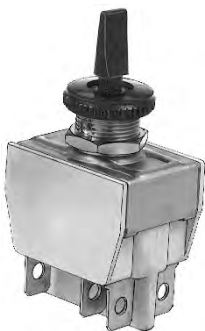


		A	III	II	I
Solder lug	Screw		2-1		2-3
631NH/2	631NH	28°	ON	-	OFF
635NH/2	635NH	24°	MOM	-	ON
636NH/2	636NH	28°	ON	-	ON
637NH/2	637NH	33°	MOM	OFF	MOM
638NH/2	638NH	33°	ON	OFF	MOM
639NH/2	639NH	33°	ON	OFF	ON

→ Keyway

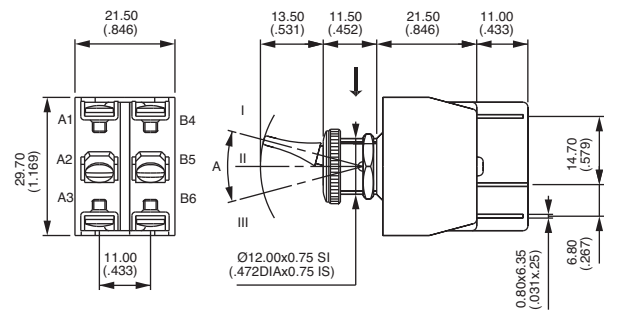


## Double pole



		A	III	II	I
Solder lug	Screw		2-1 5-4		2-3 5-6
641NH/2	641NH	26°	ON	-	OFF
644NH/2	644NH	30°	ON	ON	ON
644NH/2-1R	644NH-1R*26°	26°	ON	ON	MOM
644NH/2-2R	644NH-2R*26°	26°	MOM	ON	MOM
645NH/2	645NH	26°	MOM	-	ON
646NH/2	646NH	26°	ON	-	ON
647NH/2	647NH	26°	MOM	OFF	MOM
648NH/2	648NH	30°	ON	OFF	MOM
649NH/2	649NH	30°	ON	OFF	ON

→ Keyway



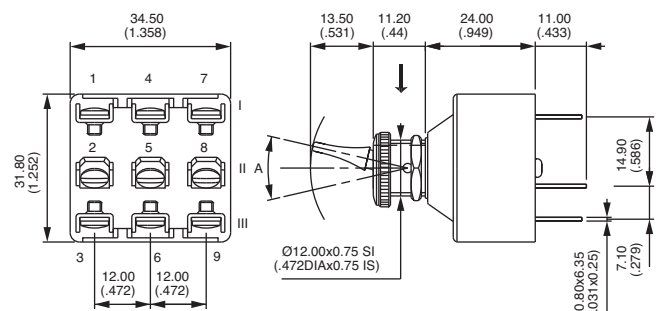
\* Function 4 : SP in DP case - see end of catalogue.

## Three pole



		A	III	II	I
Solder lug	Screw		2-1 5-4 8-7		2-3 5-6 8-9
651NH/2	651NH	24°	ON	-	OFF
655NH/2	655NH	15°	MOM	-	ON
656NH/2	656NH	24°	ON	-	ON
657NH/2	657NH	24°	MOM	OFF	MOM
658NH/2	658NH	24°	ON	OFF	MOM
659NH/2	659NH	28°	ON	OFF	ON

→ Keyway



# Mouser Electronics

Authorized Distributor

Click to View Pricing, Inventory, Delivery & Lifecycle Information:

## Apem:

[657H/2](#) [636NH/2](#) [648H/2](#) [644H/2](#) [635H](#) [638NH/2](#) [631H/2](#) [651H/2](#) [639H/2](#) [639NH/2](#) [647H/2](#) [659H/2](#) [656H/2](#)  
[637H/2](#) [658H/2](#) [637NH/2](#) [641H/2](#) [649H/2](#) [638H/2](#) [636H/2](#) [646H/2](#) [644H](#) [631NH/2](#) [647H/2K4](#) [631H/25](#) [631H](#)  
[631H/22V](#) [631NH](#) [635H/2](#) [635NH](#) [635NH/2](#) [636H](#) [637H](#) [638H](#) [639H](#) [641H](#) [641H/22V](#) [641NH/2](#) [644H/21R](#)  
[644H/22R](#) [644H1R](#) [644NH/2](#) [645H](#) [645H/2](#) [645NH](#) [645NH/2](#) [646H](#) [646NH/2](#) [646SH/2](#) [647H](#) [647NH/2](#) [648H](#)  
[648NH/2](#) [649H](#) [649NH/2](#) [651H](#) [651NH](#) [651NH/2](#) [651SH/2](#) [655H](#) [656H](#) [656NH](#) [656NH/2](#) [657H](#) [657NH/2](#) [658H](#)  
[659H](#) [659NH](#) [659NH/2](#) [631H/21V](#) [631H/2K](#) [635H/2K](#) [635H/2T](#) [636H/21V](#) [636H/22V](#) [636H/2T](#) [636H2V](#) [637H/2K](#)  
[639H/2K](#) [641H/21V](#) [641H/2TKLUXE](#) [641HK](#) [644H3V](#) [645H/2TKLUXE](#) [646H/22V](#) [646H/2G](#) [646H/2TKLUXE](#)  
[646H2V](#) [647H/2KX2126](#) [648HK](#) [649H/23V](#) [649H/2G](#) [649H/2GK3V](#) [649H3V](#) [649HK](#) [651H/22V](#) [641H/2K](#)  
[631HLUXE](#)