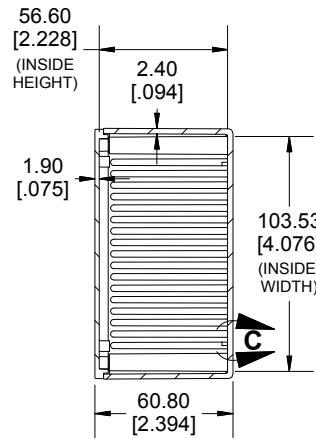
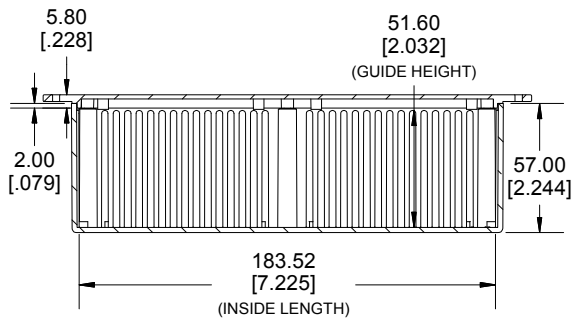
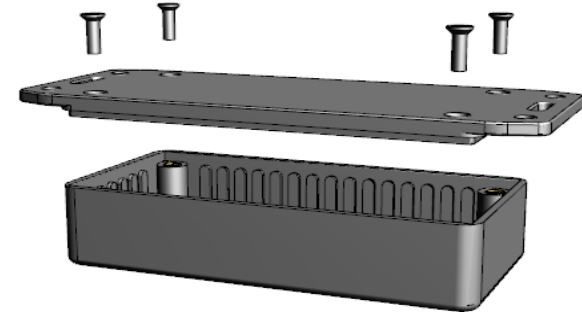


TOP VIEW

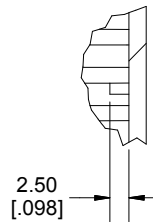


SECTION A-A

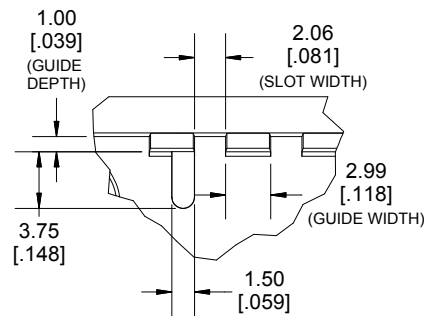


**SECTION B-B
SIDE VIEW**

DETAIL C



DETAIL D



Enclosures can be Factory Modified (Milling, Drilling, Printing etc.)
 Contact Factory (modshop@hammondmfg.com) for quotes
 Solid models of this enclosure available in STEP or PARA
 (Part number and text placement/orientation on our products are subject to change,
 we do not recommend using them as a locating reference for modification purposes)

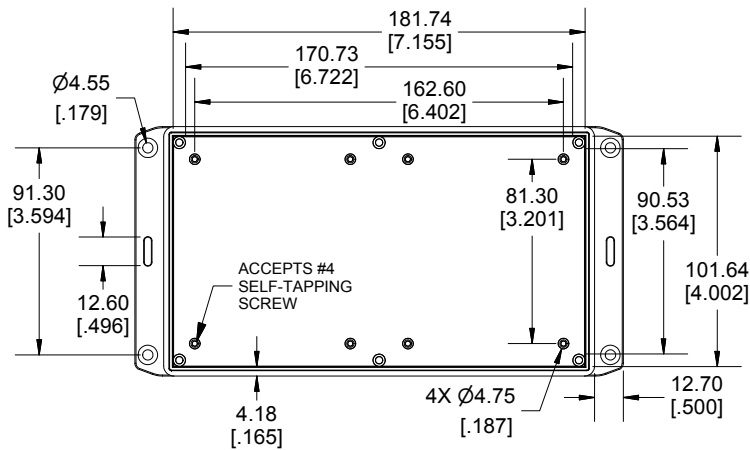
NOTE

Purchased assembly includes box, lid, 6 cover screws, and pre-installed brass inserts.
 Enclosure made from FRABS

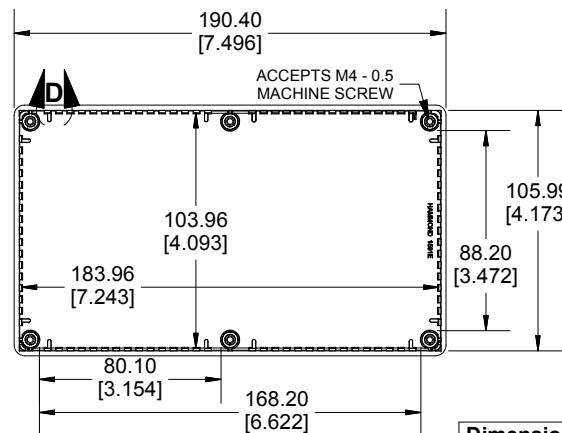
Recommended Torque: 42-57 ozf.in (30-40 cN.m)

PART NUMBERS

1591E Enclosure	
Flame Retardant ABS Black	1591EFLBK
Flame Retardant ABS Grey	1591EFLGY
Accessories	
Plated Cover screw	1591MS100 (Silver)
M3 - 0.5 X 10mm (100Pkg)	1591MS100BK (Black)
P.C Board screws for Lid	1593ATS50 (50Pkg)
#4 X 1/4" (6.4mm) Self-Tapping	1593ATS100 (100Pkg)
PC Board Card Adapters	1591Z6 (6Pkg)
	1591Z50 (50 Pkg)
	1591Z100 (100Pkg)
Nylon Belt / Pocket clip	1599CLIP (Black)
	1599CLIPGY (Grey)



INSIDE LID



INSIDE BOX

Dimensions:
 mm
 [inches]

**HAMMOND
 MANUFACTURING®**
1591EFL
 www.hammondmfg.com