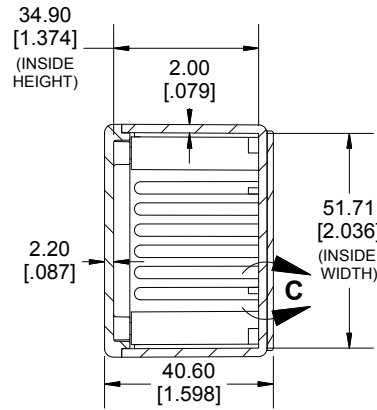
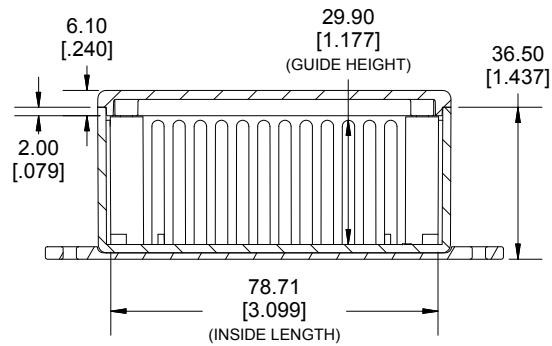
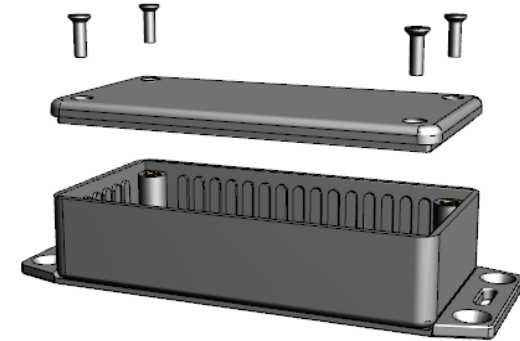


TOP VIEW

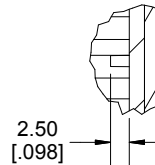


SECTION A-A

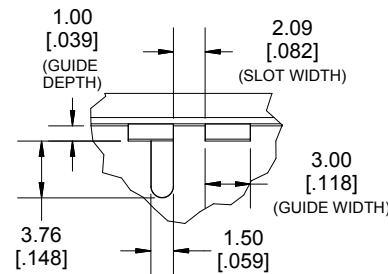


SECTION B-B
SIDE VIEW

DETAIL C



DETAIL D



Enclosures can be Factory Modified (Milling, Drilling, Printing etc.)
Contact Factory (modshop@hammondmfg.com) for quotes
Solid models of this enclosure available in STEP or PARS.
(Part number and text placement/orientation on our products are subject to change, we do not recommend using them as a locating reference for modification purposes)

NOTE

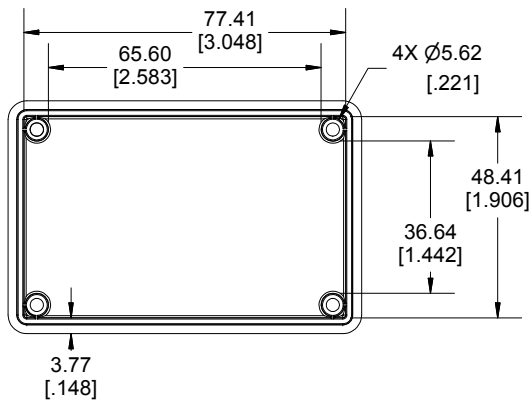
Purchased assembly includes box, lid, 4 cover screws, and pre installed brass inserts.

Enclosure made from FRABS

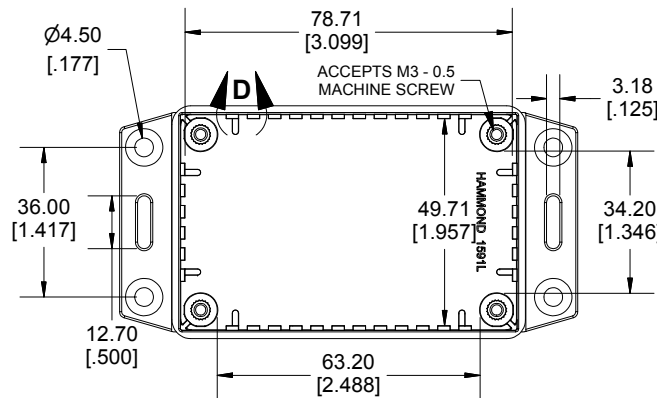
Recommended Torque: 42-57 ozf.in (30-40 cN.m)

PART NUMBERS

1591L Enclosure	
Flame Retardant ABS Black	1591LF2BK
Flame Retardant ABS Grey	1591LF2GY
Accessories	
Plated Cover screw	1591MS100 (Silver)
M3 - 0.5 X 10mm (100Pkg)	1591MS100BK (Black)
PC Board Card Adapters	1591Z6 (6Pkg)
	1591Z50 (50 Pkg)
Nylon Belt / Pocket clip	1591Z100 (100Pkg)
	1599CLIP (Black)
Clear Lids - Flame Retardant Polycarbonate - Lid ONLY	1599CLIPGY (Grey)
	1591LC



INSIDE LID



INSIDE BOX

Dimensions:
mm
[inches]

