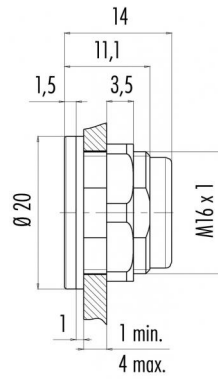


Product Area	Adapter for sockets Snap-in connectors IP 67	serie 620	Pole	-
			Article number	08 2636 000 001

illustration



scale drawing



You can find the item description and assembly instruction on the next page.

Technical data

Common values

Connector Design	Adapter
Termination	-
Wire gauge (mm)	-
Cable outlet	-

Material

Material of contact	-
Contact plating	-
Material of contact body	-
Material of housing	PA (UL 94 V-0)

Electrical values

Pollution degree	-
Overvoltage category	-
Material group	-
Rated current (40°C)	-
Volume resistivity	-
EMV compliance	-

Cable data

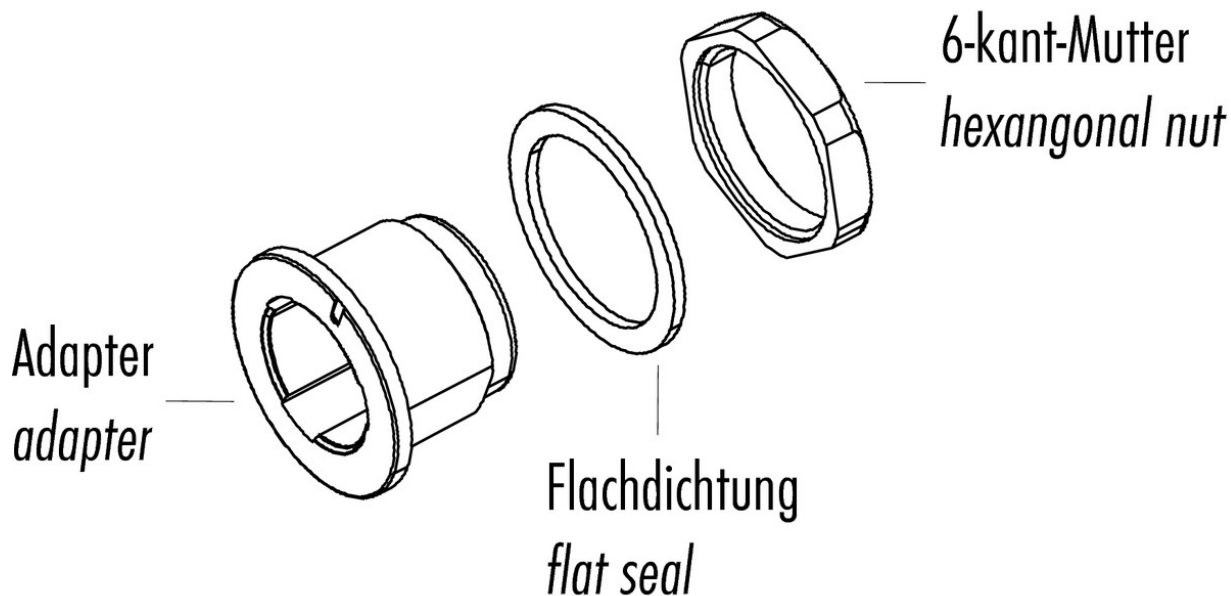
material housing	-
insulation single lead	-
single lead structure	-
conductor resistance	-

Adapter for sockets



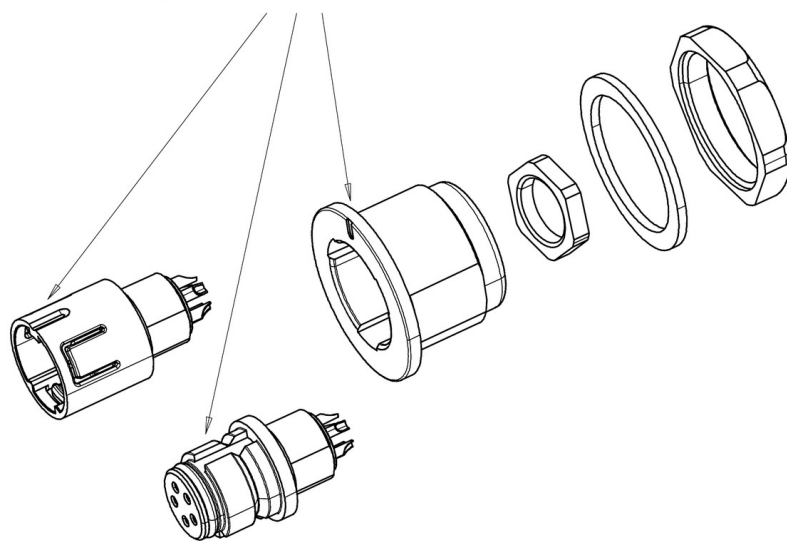
Product Area	Adapter for sockets Snap-in connectors IP 67	serie 620	Pole Article number	- 08 2636 000 001
--------------	---	-----------	---------------------	----------------------

Item description



Installation instructions / Mounting cutout

Die Markierung des Adapters muss mit der Kodiernase des Einsatzes übereinstimmen
The marking of the adapter must conform with the coding nut of the insert



Einsätze müssen separat bestellt werden
Inserts have to be ordered separately

Product
Area

Adapter for sockets
Snap-in connectors IP 67

serie 620

Pole
Article number

-
08 2636 000 001

Installation instructions / Mounting cutout

