

# THE DUOLINE SERIES

## POE Injector and Surge Protection

### Features

- All data and POE lines are protected (RJ45)
- Each pair supports 100 Mbits/s
- Plug-and-Play concept
- Economical protection

Protects fast ethernet LAN and POE equipment such as hubs, switches and network interface cards from induced lightning and electrostatic discharge.

Supports the compliment of 100Base-T configurations:100Base-Tx, 100Base-T4 and 100Base-VG.

12-00689

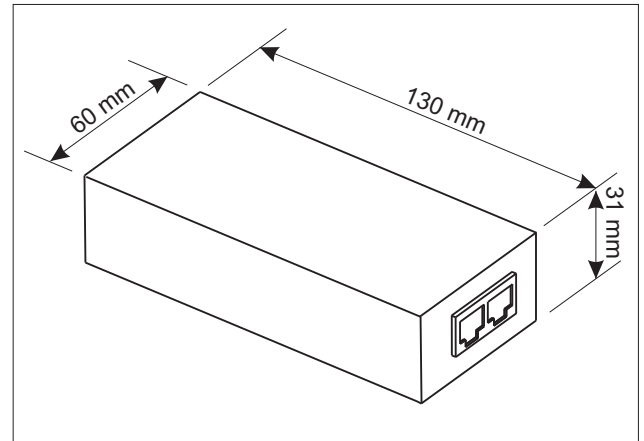
rev1



\*Specifications subject to change without prior notice due to continuous improvements

| Specifications                           |                                  |
|--|----------------------------------|
| <b>Power Surge Protection</b>            |                                  |
| Nom. Input Voltage                       | 230VAC 50Hz                      |
| Output Voltage                           | 24V DC                           |
| Output Current                           | 1A                               |
| Max. Discharge Current                   | 2.5kA L-N, L-E, N-E (8/20us)     |
| Residual Voltage                         | <900V                            |
| Response Time                            | <25ns                            |
| <b>Network/Dataline Surge Protection</b> |                                  |
| Max. Discharge Current (Fine L-L)        | 40A (8/20us)                     |
| Max. Discharge Current (Coarse L-E)      | 2.5kA (8/20us)                   |
| Residual Voltage                         | <5V (1.2/50us)                   |
| Technology Supported                     | Cat5                             |
| Data Speed Supported                     | >100 MBit/s                      |
| Pairs Protected (Data)                   | 1-2, 3-6                         |
| Pairs Protected (POE)                    | 4-5, 7-8                         |
| <b>Other</b>                             |                                  |
| Indication                               | LED                              |
| Temperature Range                        | -20°C to +70°C                   |
| Standard Compliance                      | IEC 164-1, 61643-1, IEEE 802.3af |
| Lead Length                              | 1x 2.0m RJ11-RJ11 Cable          |
| Dimensions                               | 130x60x31mm                      |
| Weight                                   | 0.365kg                          |

### Dimensions



### Supplied with:

- RJ45 Cable (Cat5)
- IEC Power Cord

### Designed and Manufactured by:

#### Clearline Protection Systems (Pty) Ltd

385 Roan Crescent Corporate Park North, Old Pta Road,

Midrand, South Africa

P.O. Box 5985, Halfway House, 1685

Tel: +27 (0) 11 848-1100

Fax: +27 (0) 11 314-3880

E-mail: [info@clearline.co.za](mailto:info@clearline.co.za)

[www.clearline.co.za](http://www.clearline.co.za)

