

# THE POWERLINE SERIES

## Electric fence Protection Kit

### Features

- Built in surge suppression
- High surge capability
- Compact design
- Effective filtration
- Fire hazard protection
- Power indication

### Electric Fence Protection Kit

This protection kit provides an integrated approach to the protection of electric fences. It provides surge and filtered protection for the incoming mains supply with an additional protector for earth potential equalization. A high voltage unit is supplied for the energizer output terminals.

12-00851 rev0



\*Specifications subject to change without prior notice due to continuous improvements

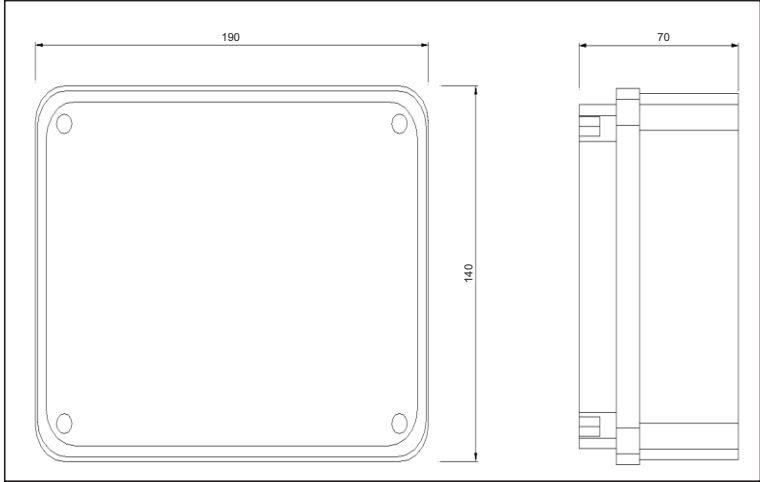
Specifications	
Power Surge Protection	
Nom. Input Voltage	230VAC 50Hz
Max. Continuous Current	10A
Max. Discharge Current	8kA L-N, L-E, N-E (8/20us)
Residual Voltage	<900V
Response Time	<25ns
Input Connectors	16A 3Pin Plug
Output Connectors	16A 3Pin Socket

High Voltage Surge Protection	
Max. High Voltage Output	15kVDC
Max. High Voltage Surge Current	6500A (8/20us)
Response Time	<25ns

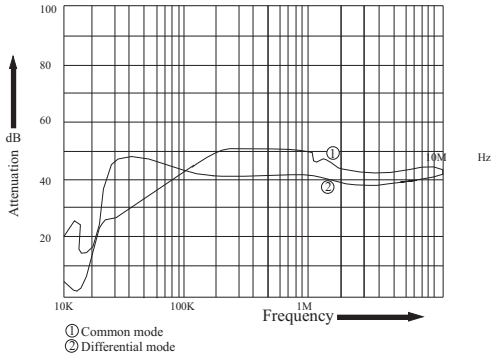
Filtration	
Filtration Performance	See graph on page2
Earth Leakage Current	<1.5mA

Other	
Indication	LED
Temperature Range	-20°C to +70°C
Standard Compliance	IEC 164-1, 61643-1
Lead Length	1.5 meters
Dimensions	190x140x70mm
Weight	1.105kg

### Dimensions



### Filter characteristics



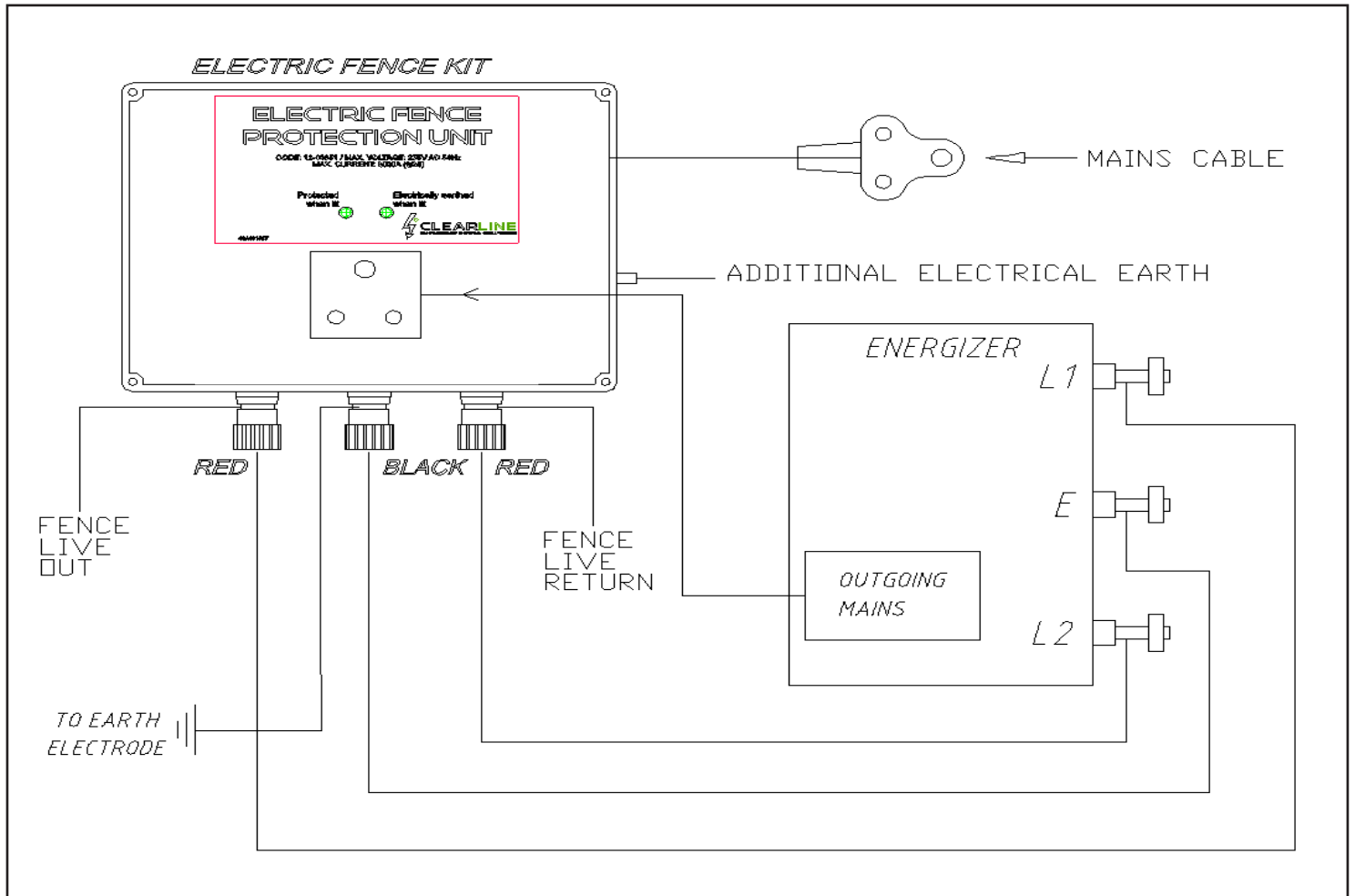
**Designed and Manufactured by:**  
**Clearline Protection Systems (Pty) Ltd**  
 385 Roan Crescent Corporate Park North, Old Pta Road,  
 Midrand, South Africa  
 P.O. Box 5985, Halfway House, 1685  
 Tel: +27 (0) 11 848-1100  
 Fax: +27 (0) 11 314-3880  
 E-mail: info@clearline.co.za  
 www.clearline.co.za

Turn page for more information →



## Installation

1. Connect the two outer sockets (red) to the L1(Fence Live Out) and L2 (Fence Live Return) respectively to the energizer and to the fence as per drawing.
2. Connect the inner socket (black) to the Earth of the energizer and to the Fence Earth as per drawing.
3. Plug the mains cable from the Electric Fence Protection Kit to a 3pin 16Amp wall socket.
4. Plug the Energizer ( outgoing mains) to the 3pin 16Amp socket on the Electric Fence Protection Kit as shown on drawing.



## Warranty

All Clearline protection products carry a warranty for a period of two years from the date of purchase, provided that they are installed in accordance with the manufacturer's recommendations. Defective devices should be returned prepaid to Clearline Head Office or to the registered agent in the various areas. The Manufacturer's liability is limited to the repair or replacement of the product (at the manufacturer's discretion) which in its judgement has not been misused or operated under conditions exceeding the manufacturer's specifications. The warranty is void if the devices in question have been opened or serviced by anyone other than authorised Clearline personnel. Clearline will not be held responsible for consequential or implied damages.

### Designed and Manufactured by:

**Clearline Protection Systems (Pty) Ltd**

385 Roan Crescent Corporate Park North, Old Pta Road,

Midrand, South Africa

P.O. Box 5985, Halfway House, 1685

Tel: +27 (0) 11 848-1100

Fax: +27 (0) 11 314-3880

E-mail: [info@clearline.co.za](mailto:info@clearline.co.za)

[www.clearline.co.za](http://www.clearline.co.za)

