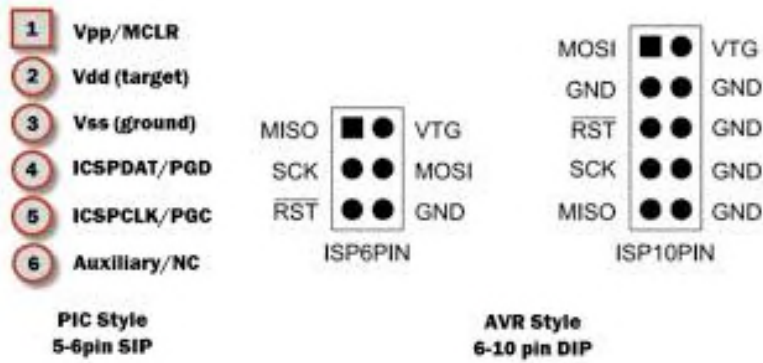


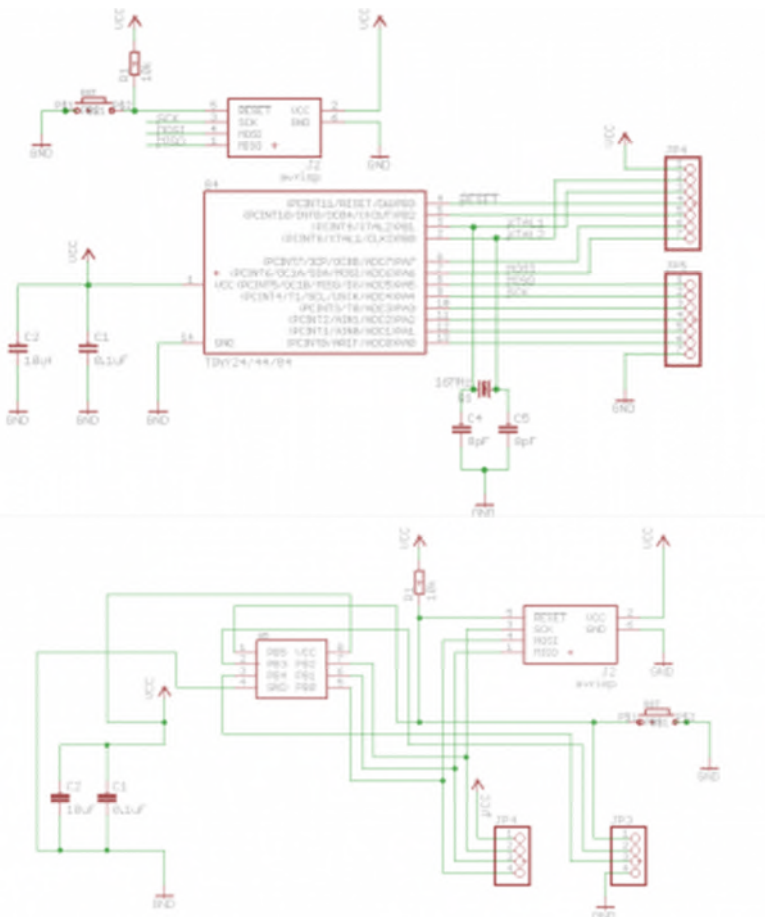
# ATiny Mini Dev Board Series

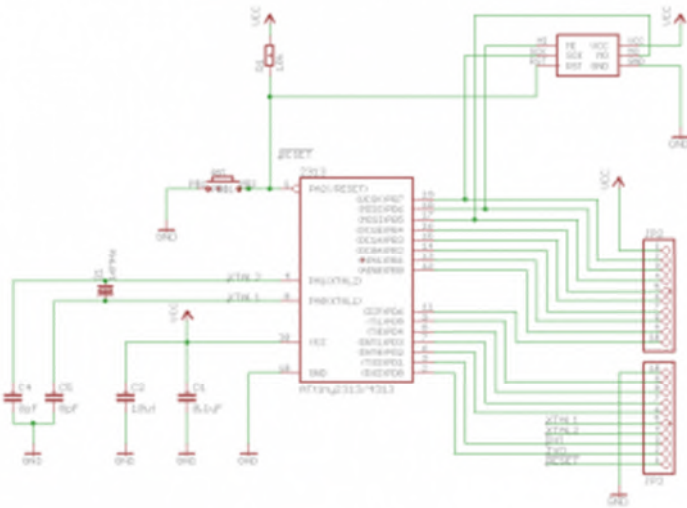
## ICSP Pins

In our board, the first pin MOSI is square, the rest are round.



## Schematic





## Datasheet

---

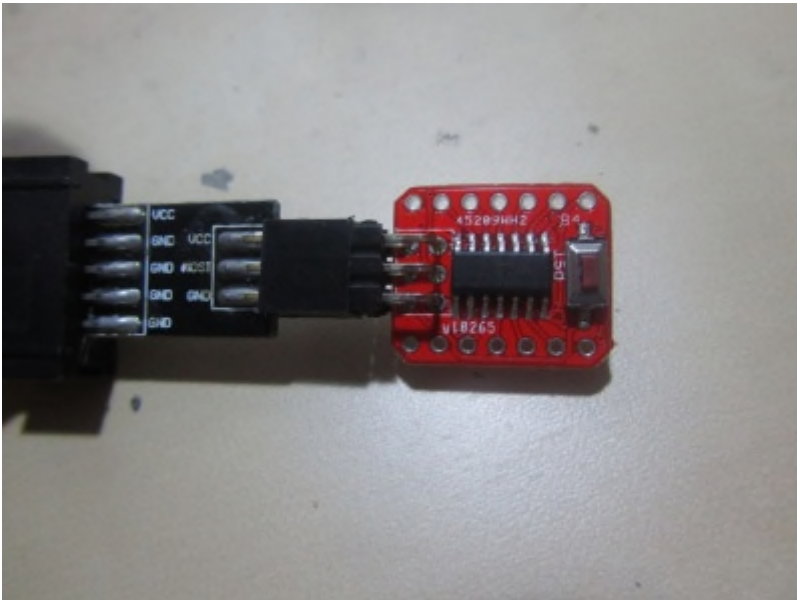
- [Attiny 2313A datasheet](#)
- [Attiny 85 datasheet](#)
- [Attiny 44A datasheet](#)

## FAQ

---

### Connect your board properly

- Use the ICSP connector, USBASP programmer plus the 6pin to 10pin convert, and connect it as below, make sure pins are aligned correctly.



- Open [avrdude](#), and select USBASP and click detect, it will detect your device as shown below:
- In this way, your connection is going well

